

- FEATURES**
- Roof curb perimeter made of galvanized steel.
 - Gasketing package provided.
 - Heat treated wood nailer provided.
 - Corner flanges are pre-threaded for easy bolt on assembly.
 - Pitched, adjustable pitch/adjustable height, welded, different height, isolation and calculated curbs are available.

- NOTES**
- Attach ductwork to roof curb. Flanges of duct rest on top of the curb. Support ductwork below the curb.

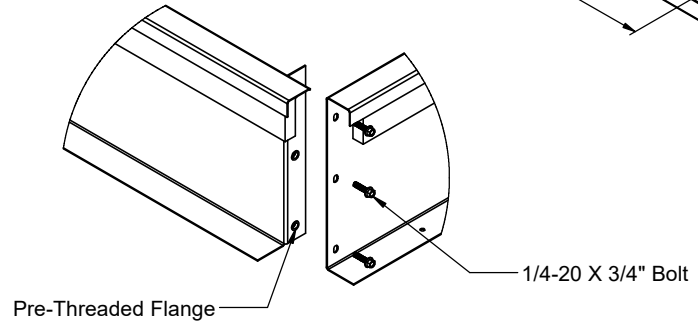
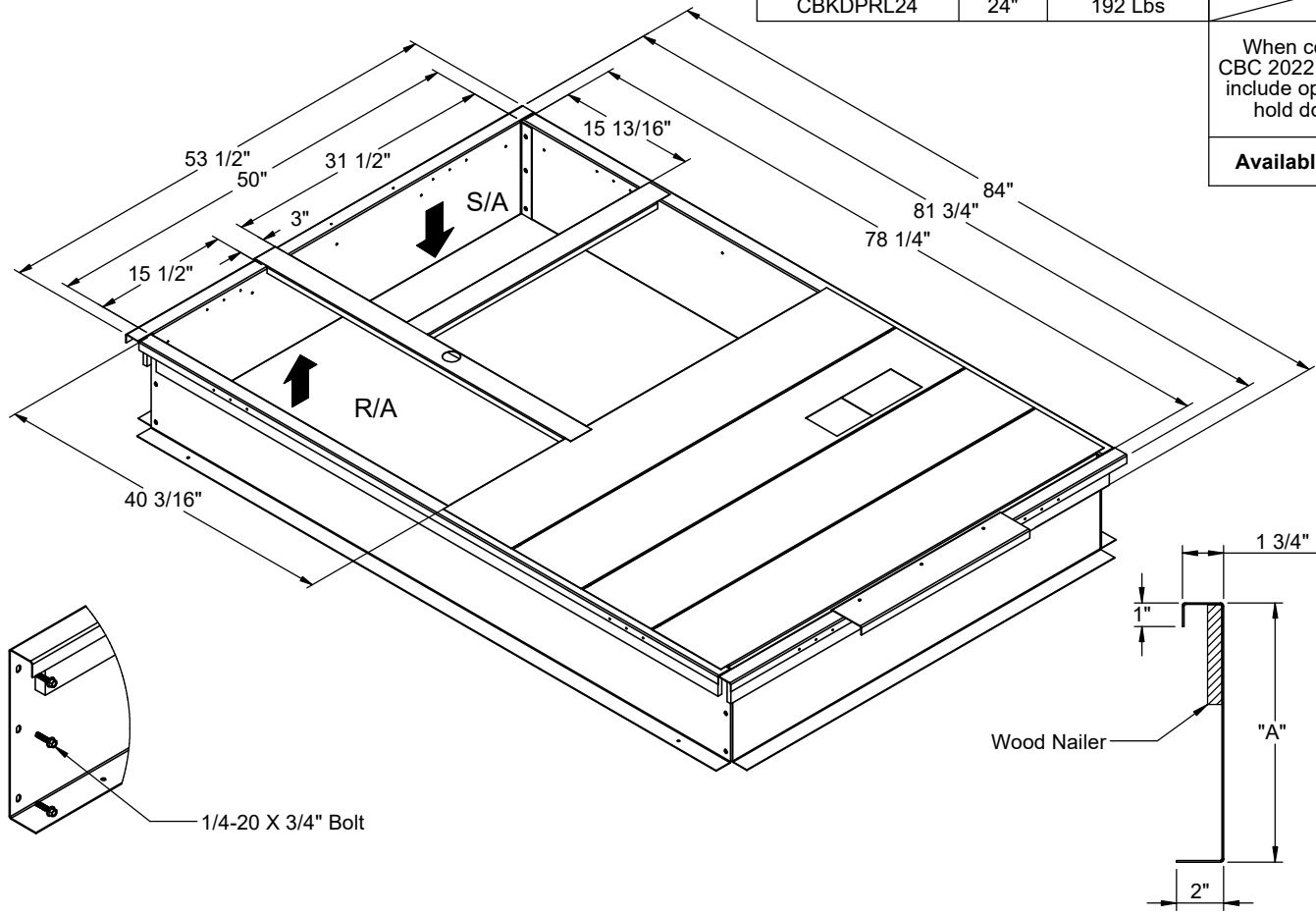
KNOCK-DOWN ROOF CURBS FOR YORK UNITS

ZX08-14; XX08-12; ZY07-12; XY07-09; ZL08-14; XYA7; ZYA7
 KX08-14; WX08-12; KY07-12; WY07-09; KL08-14; WYA7; KYA7

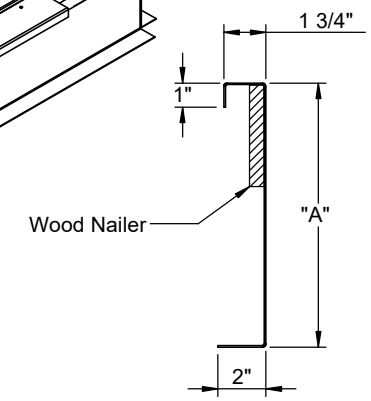
PROVENT P/N	A	EST. WEIGHT	SEISMIC CLIP KIT P/N
CBKDPRL08	8"	100 Lbs.	KDKITPRL
CBKDPRL11	11"	116 Lbs.	
CBKDPRL14	14"	144 Lbs.	
CBKDPRL18	18"	160 Lbs.	X
CBKDPRL24	24"	192 Lbs.	

When conforming to CBC 2022 and IBC 2021, include optional seismic hold down clip kit.

Available on 8" - 14"



CORNER DETAIL



CROSS SECTION DETAIL



3847 WABASH DR.
 MIRA LOMA, CA 91752
 PHONE (951) 685-1101
 FAX (619) 872-9799

SUBMITTED TO: _____
 COMPANY: _____
 JOB NAME: _____
 EQUIPMENT: _____
 NOTES: _____

FORM NO:
 CBKD-70
 DATE:
 12/19/2024

PART NUMBER:
 CBKDPRL SERIES
 REV:
 7
 DRAWN BY:
 CNG