

**FEATURES**

- Roof curb perimeter made of galvanized steel.
- Gasketing package provided.
- Heat treated wood nailer provided.
- Corner flanges are pre-threaded for easy bolt on assembly.
- Insulated deck pans provided.
- Pitched, adjustable pitch/adjustable height, welded, different height, isolation and calculated curbs are available.

**NOTES**

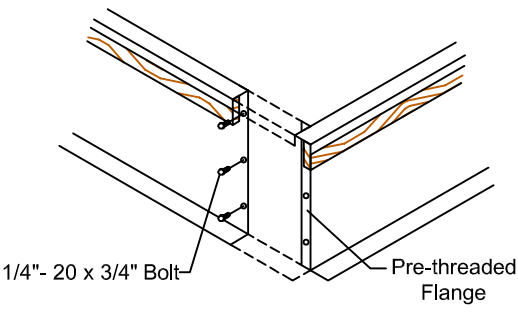
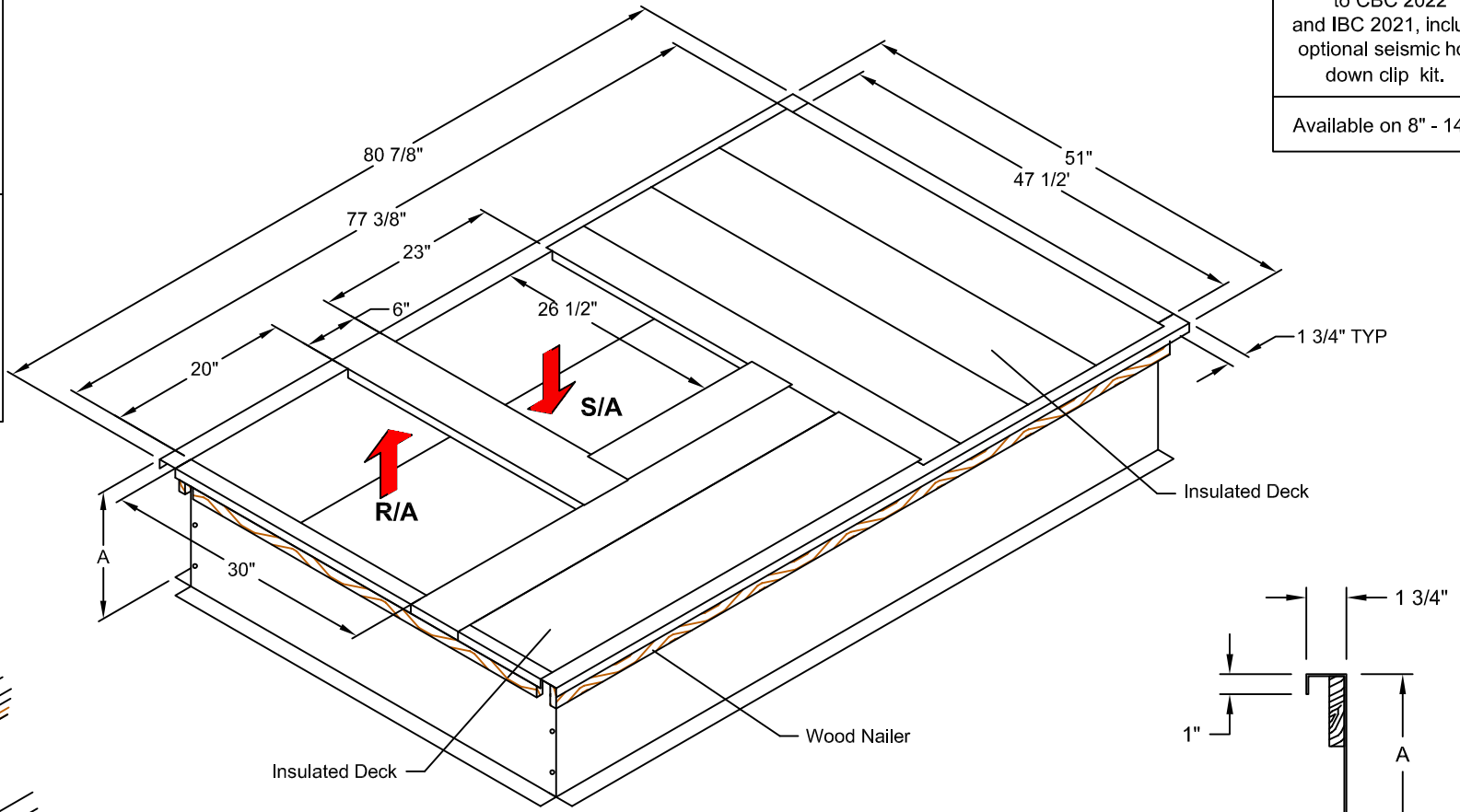
- Attach ductwork to roof curb. Flanges of duct rest on top of curb. Support ductwork below the curb.
- Thru the curbs utilities are available. Contact your York distributor or Provent directly.

**KNOCK-DOWN ROOF CURBS FOR YORK PRO UNITS**

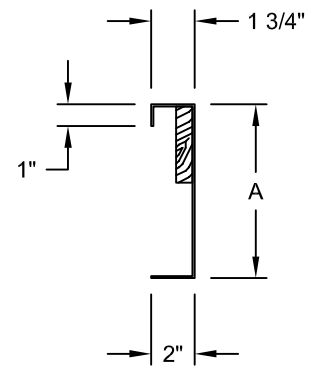
**ZT, ZH, ZJ, ZR, KT, KJ 037-150**  
**ZF, XP, ZB, WP, KB, DH, DM, DF, DR, BP 078-150**

ProVent P/N	A	WEIGHT	SEISMIC CLIP KIT P/N
CBKDPRD371508	8"	115 Lbs	KDKITPRD3715
CBKDPRD371511	11"	129 Lbs	
CBKDPRD371514	14"	144 Lbs	
CBKDPRD371518	18"	170 Lbs	
CBKDPRD371524	24"	192 Lbs	

When conforming to CBC 2022 and IBC 2021, include optional seismic hold down clip kit.  
 Available on 8" - 14".



CORNER DETAIL



CROSS SECTION DETAIL



3847 WABASH DRIVE  
 MIRA LOMA, CA 91752  
 PHONE (951) 685-1101  
 FAX (619) 498-9247

SUBMITTED TO: \_\_\_\_\_  
 COMPANY: \_\_\_\_\_  
 JOB NAME: \_\_\_\_\_  
 EQUIPMENT: \_\_\_\_\_  
 NOTES: \_\_\_\_\_

FORM NO:  
 CBKD-114  
 DATE: 12/20/24  
 REV: 7

PART NUMBER:  
 CBKDPRD3715 SERIES  
 DRAWN BY:  
 CNG