

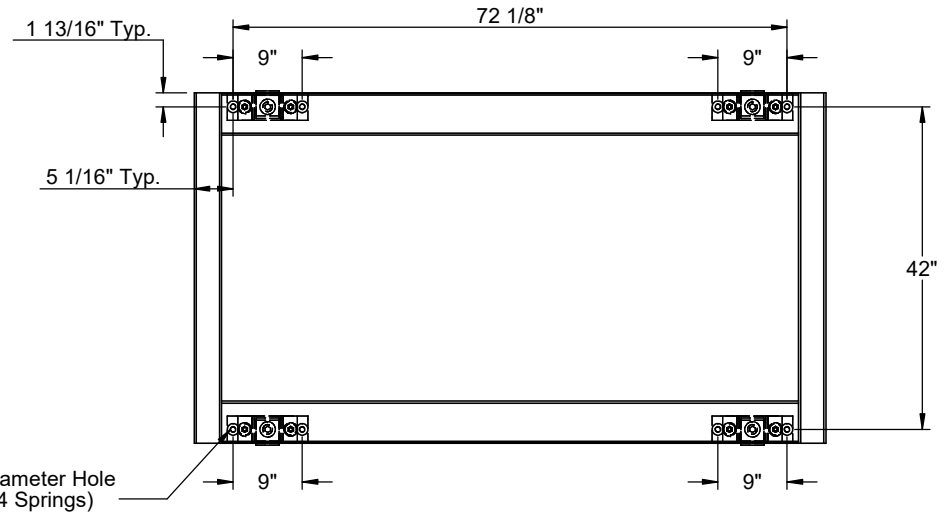
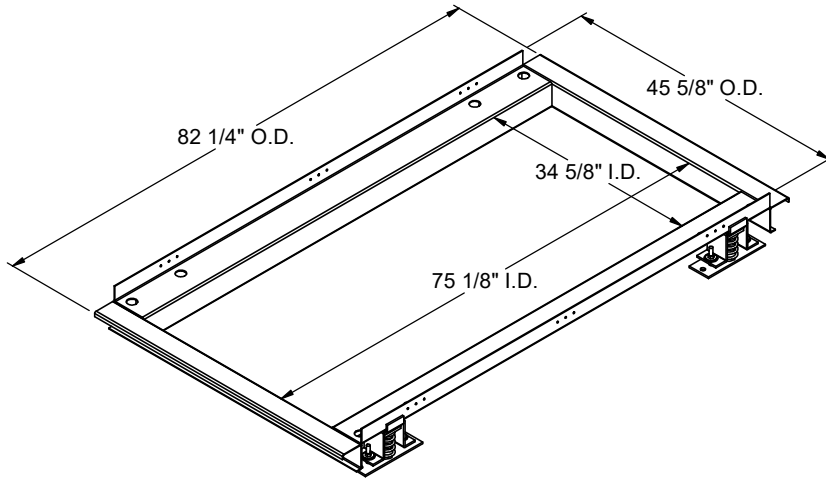
**FEATURES**

- Fully welded construction.
- 10 Ga. galvanized support frame.
- Estimated weight - 169 Lbs.
- Gasketing package provided.

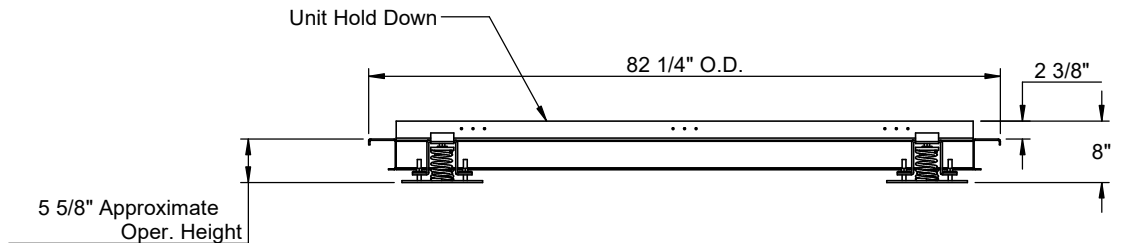
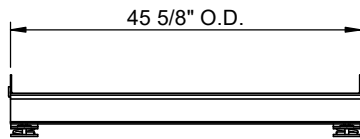
**VIBRATION ISOLATION RAIL FOR HORIZONTAL YORK UNITS - LOW PROFILE**

ZR, XN, XP, WN 036-060  
ZE, ZF, KE 036-072

Unit Model	Power Exhaust?	Provent P/N
ZE, KE 036; ZR 036-048 ZF, XP 036-060	NO	CBISHSUN36721
XN, WN 036-060; ZR 060 ZE, KE 048-072; ZF 072	NO	CBISHSUN36722
ZE, KE 036; ZR 036-048 ZF, XP 036-060	YES	CBISHSUN3672P1
XN, WN 036-060; ZR 060 ZE, KE 048-072; ZF 072	YES	CBISHSUN3672P2



**Anchorage Location Detail**



3847 WABASH DRIVE  
MIRA LOMA, CA 91752

PHONE (951) 685-1101  
FAX (619) 872-9799

SUBMITTED TO: \_\_\_\_\_  
COMPANY: \_\_\_\_\_  
JOB NAME: \_\_\_\_\_  
EQUIPMENT: \_\_\_\_\_  
NOTES: \_\_\_\_\_

FORM NO:  
CBISH-115

PART NUMBER:  
CBISHSUN3672 - SERIES

DATE:  
1/13/2025

REV:  
3

DRAWN BY:  
CNG