

**FEATURES**

- Roof curbs sides and ends are 14 ga.
- Fully welded construction.
- Gasketing package provided.
- Heat treated wood nailer provided.
- insulated deck pans provided.
- Pitched curbs and taller curbs are available.

**NOTES**

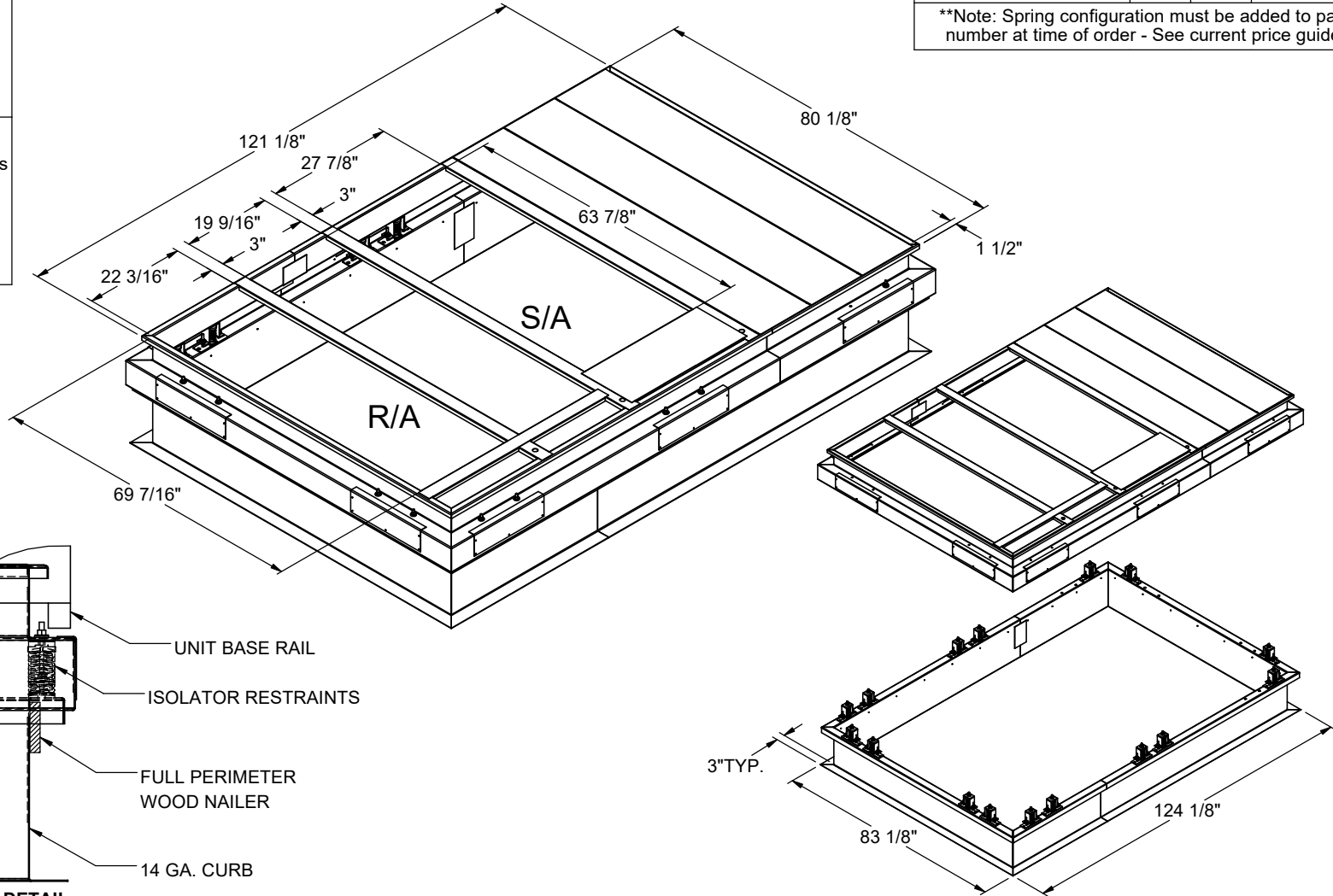
- Attach ductwork to roof curb. Flanges of duct rest on top of the curb, Support ductwork below the curb.
- Thru the curb utilities are available. Contact your York distributor or Provent directly.

**VIBRATION ISOLATION ROOF CURBS YORK CHOICE UNITS**

AV, KV15-18; AH, AL, KH, KL15; HV, WV13

PROVENT P/N	A	B	EST. WEIGHT
CBISSAV151818**	8"	18"	524 Lbs.
CBISSAV151821**	11"	21"	555 Lbs.
CBISSAV151824**	14"	24"	596 Lbs.

\*\*Note: Spring configuration must be added to part number at time of order - See current price guide



**3847 WABASH DRIVE  
MIRA LOMA, CA 91752**

**PHONE (951) 685-1101  
FAX (619) 872-9799**

SUBMITTED TO: \_\_\_\_\_  
 COMPANY: \_\_\_\_\_  
 JOB NAME: \_\_\_\_\_  
 EQUIPMENT: \_\_\_\_\_  
 NOTES: \_\_\_\_\_

FORM NO:  
CBIS-122

DATE:  
1/27/2025

PART NUMBER:  
CBISSAV1518 SERIES

REV:  
4

DRAWN BY:  
CNG