

FEATURES

- Roof curbs sides and ends are 14 ga.
- Fully welded construction.
- Gasketing package provided.
- Heat treated wood nailer provided.
- Insulated deck pans provided.
- Pitched curbs and taller curbs are available.

NOTES

- Attach ductwork to roof curb. Flanges of duct rest on top of the curb, Support ductwork below the curb.
- Thru the curb utilities are available. Contact your York distributor or Provent directly.

VIBRATION ISOLATION ROOF CURBS YORK CHOICE UNITS

AV, KV15-18; AH, AL, KH15; HV, WV13

PROVENT P/N

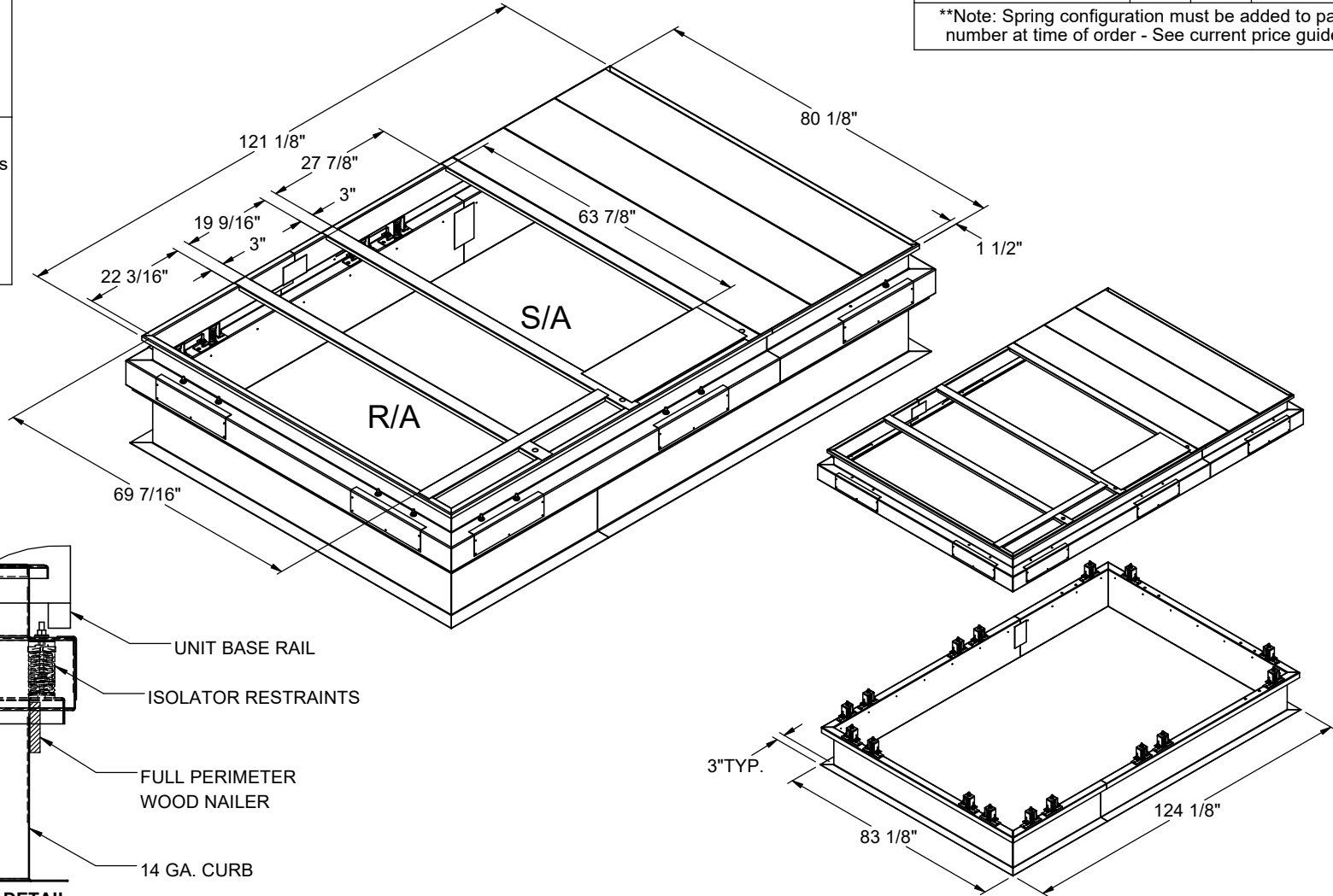
A

B

EST. WEIGHT

CBISSAV151818**	8"	18"	524 Lbs.
CBISSAV151821**	11"	21"	555 Lbs.
CBISSAV151824**	14"	24"	596 Lbs.

**Note: Spring configuration must be added to part number at time of order - See current price guide



3847 WABASH DRIVE
MIRA LOMA, CA 91752

PHONE (951) 685-1101
FAX (619) 872-9799

SUBMITTED TO: _____
 COMPANY: _____
 JOB NAME: _____
 EQUIPMENT: _____
 NOTES: _____

FORM NO:

-

DATE:

11/25/2024

PART NUMBER:

CBISSAV1518 SERIES

REV:

3

DRAWN BY:

CNG