

FEATURES

- Roof curb sides and ends are 18 ga. galvanized steel.
- Perimeter upper frame supplied with pre-punch assembly holes.
- Assembly hardware provided for field assembly.
- Gasketing package provided.
- Heat treated wood nailer provided.
- Insulated deck pans included.

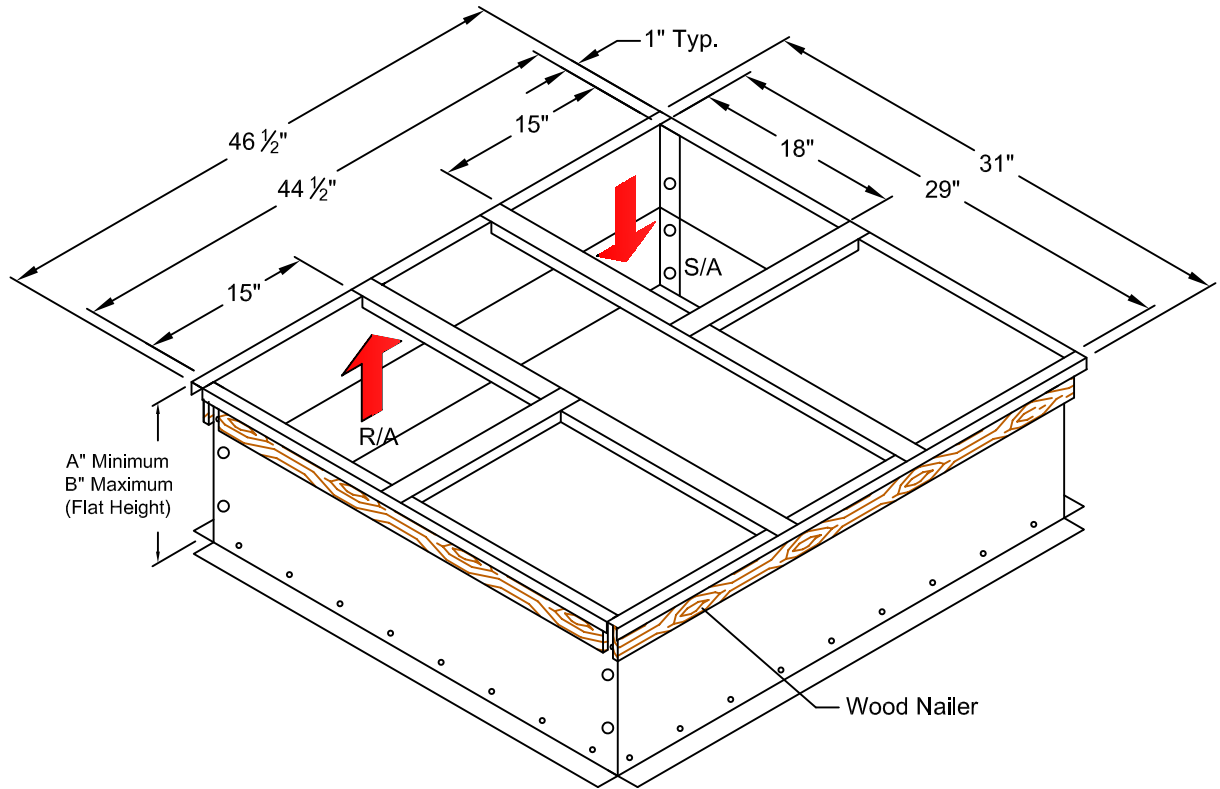
NOTES

- Ductwork must be 3/4" smaller than duct openings shown.
- Adjust up to 1" in 12" pitch in either direction.
- Attach ductwork to roof curb. Flanges of duct rest on top of curb. Support ductwork below the curb.
- Thru the curbs utilities are available. Contact your York distributor or Provent directly.

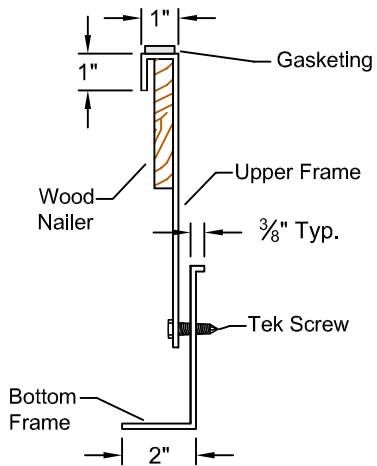
KNOCK-DOWN ADJUSTABLE PITCH / ADJUSTABLE HEIGHT CURBS FOR YORK UNITS

PG3E, PC3E, PCG4A, PCE4A 24-42; PCG6A, PCE6A, PHE4/6A, PHG4/6A 24-30

ProVent P/N	A	B	WEIGHT
CBAKDLXS08	8"	12"	73 Lbs
CBAKDLXS11	11"	15"	81 Lbs
CBAKDLXS14	14"	18"	88 Lbs



Detail



3847 WABASH DRIVE
MIRA LOMA, CA 91752
PHONE (951) 685-1101
FAX (619) 498-9247

SUBMITTED TO: _____
COMPANY: _____
JOB NAME: _____
EQUIPMENT: _____
NOTES: _____

FORM NO:
CBAKD-125
DATE:
1/15/25

PART NUMBER:
CBAKDLXS SERIES
DRAWN BY:
CNG