

**FEATURES**

- Roof curb sides and ends are galvanized steel.
- Perimeter upper frame supplied with pre-punch assembly holes.
- Assembly hardware provided for field assembly.
- Gasketing package provided.
- Heat treated wood nailer provided.
- Insulated deck pans provided.

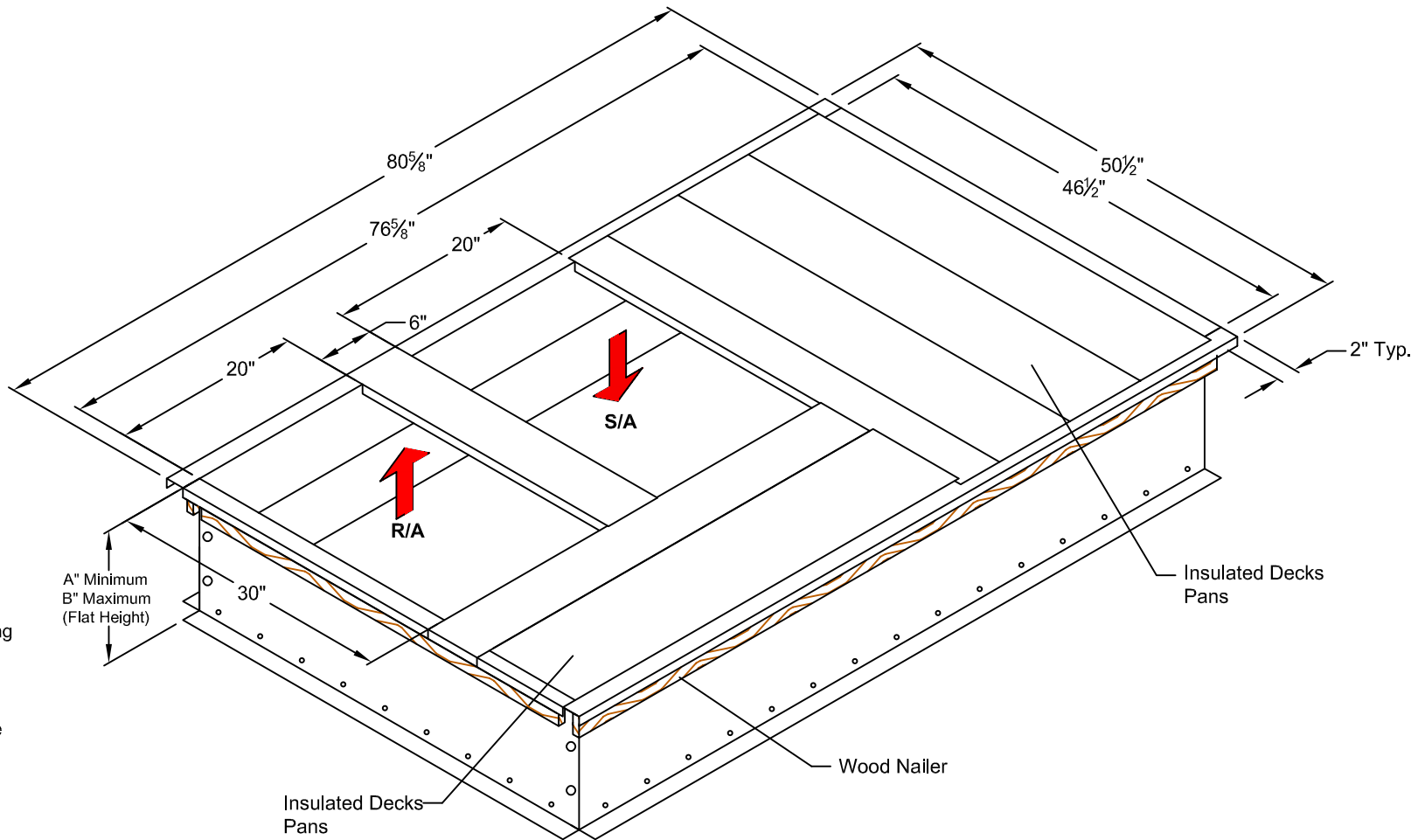
**NOTES**

- Ductwork must be 3/4" smaller than duct openings shown.
- Adjust up to 1" in 12" pitch in either direction.
- Attach ductwork to roof curb. Flanges of duct rest on top of curb. Support ductwork below the curb.
- Thru the curbs utilities are available. Contact your York distributor or Provent directly.

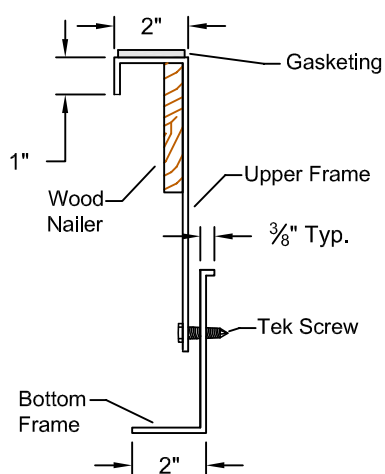
**KNOCK-DOWN ADJUSTABLE PITCH / ADJUSTABLE HEIGHT CURBS FOR YORK UNITS**

ZT, ZH, ZJ, ZR, KT, KJ 037-150; ZF, XP, ZB, WP, KB 078-150

ProVent P/N	A	B	WEIGHT
CBAKDPRD781508	8"	12"	155 Lbs
CBAKDPRD781511	11"	15"	169 Lbs
CBAKDPRD781514	14"	18"	184 Lbs



**Detail**



**NOTE:  
KDKITPRD3715 DOES NOT  
FIT ON THIS CURB**



3847 WABASH DRIVE  
MIRA LOMA, CA 91752

PHONE (619) 498-9246  
FAX (619) 498-9247

SUBMITTED TO: \_\_\_\_\_  
COMPANY: \_\_\_\_\_  
JOB NAME: \_\_\_\_\_  
EQUIPMENT: \_\_\_\_\_  
NOTES: \_\_\_\_\_

FORM NO:  
CBAKD-103

DATE:  
02/04/2025

PART NUMBER:  
CBAKDPRD7815 SERIES

DRAWN BY:  
FMM