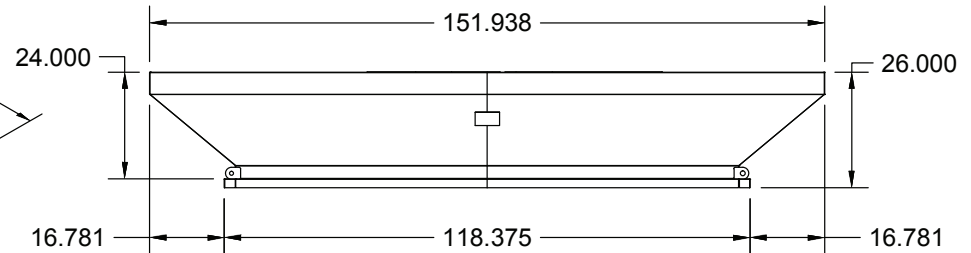
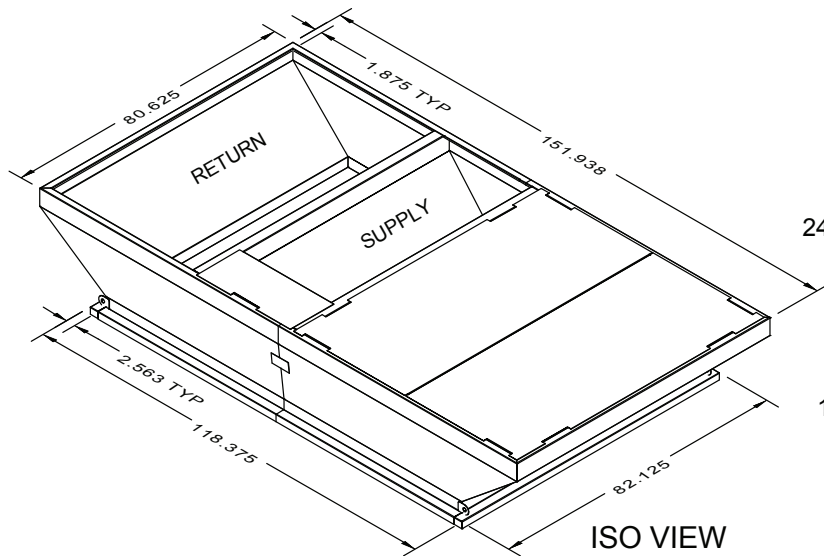
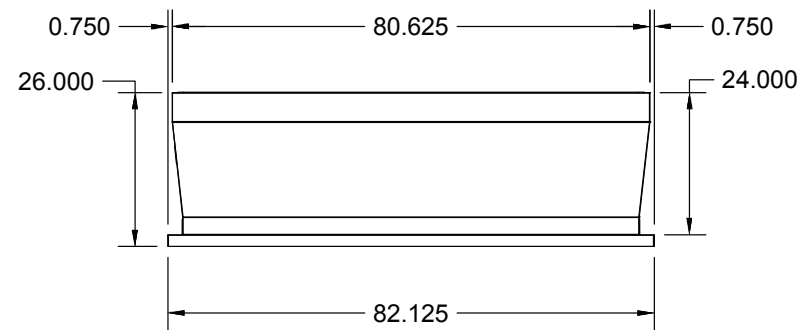


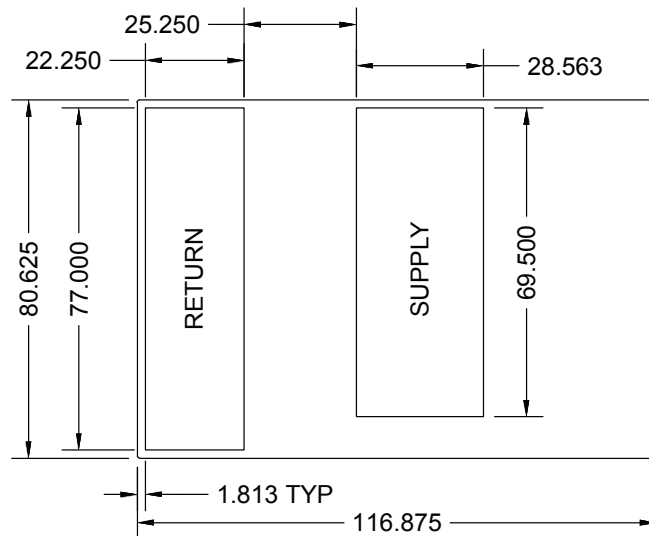
Approved By \_\_\_\_\_ Date: \_\_\_\_\_



FRONT VIEW



SIDE VIEW



EXISTING CURB

**Curb Adapter for YORK**

Old Unit: YCD/TCD 211-300

New Unit: CHOICE AV28, AD28, AE18-23, AW18-23, AH25, AL25, HV25

- Verify existing curb dimensions
- Verify supply and return ducts.
- Document variations
- Contact RRS for all concerns and drawing verification.

Part No: 30-290-5710
Duct Type: Non-Concentric
Weight: 584 lbs
Static Pressure: N/A
Form#: 305710
Date: May 14 2019
Supersedes: None



1625 Diplomat Drive, Carrollton, Texas 75006-6848  
 Phone (972) 247-7447 (800) 552-4822  
 Fax (972) 243-0940

Notes:

1. Fully welded G90 galvanized construction
2. Supply and Return plenums fully insulated
3. Gaskets shipped with adapter
4. RRS reserves the right to change layout without notification.
5. If a curb adapter is needed in a different configuration, notify RRS prior to placing an order.
6. Curb Adapters up to 12.5 tons designed for less than .35" Total Static Pressure.
7. Curb Adapters from 15-25 tons designed for less than .625" Total Static Pressure.