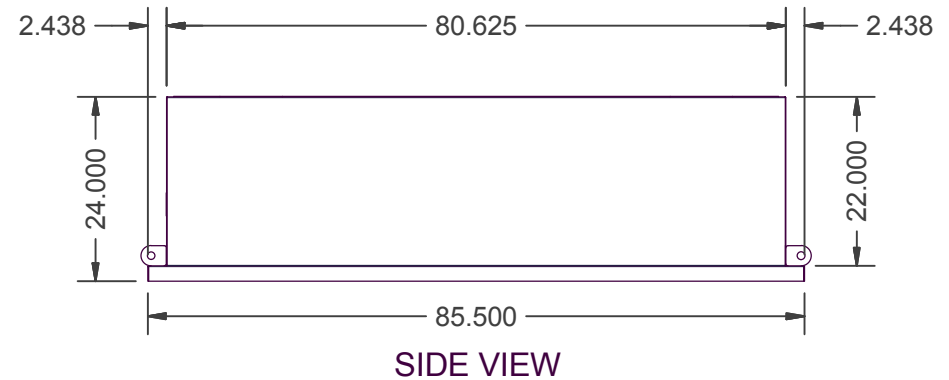
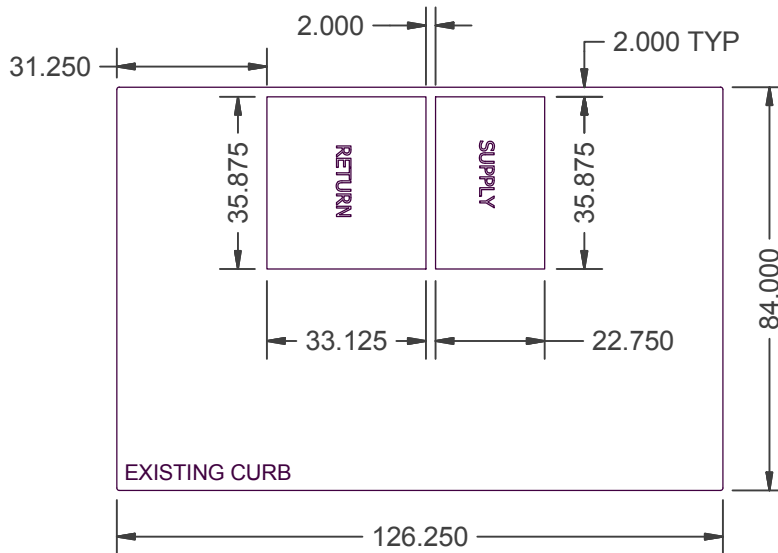
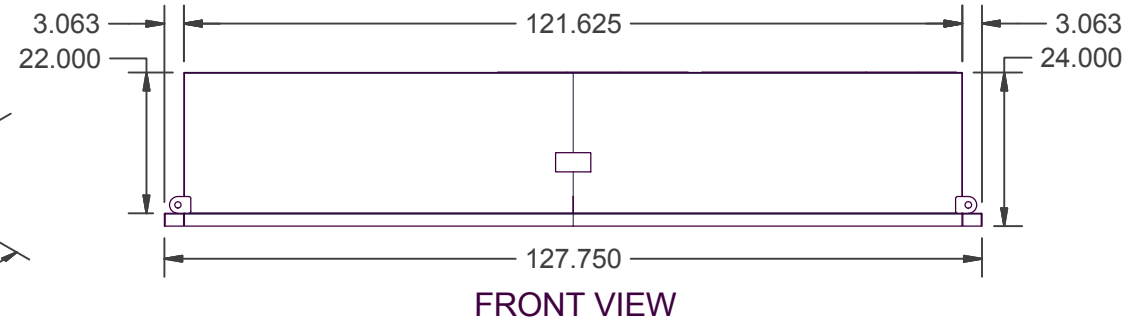
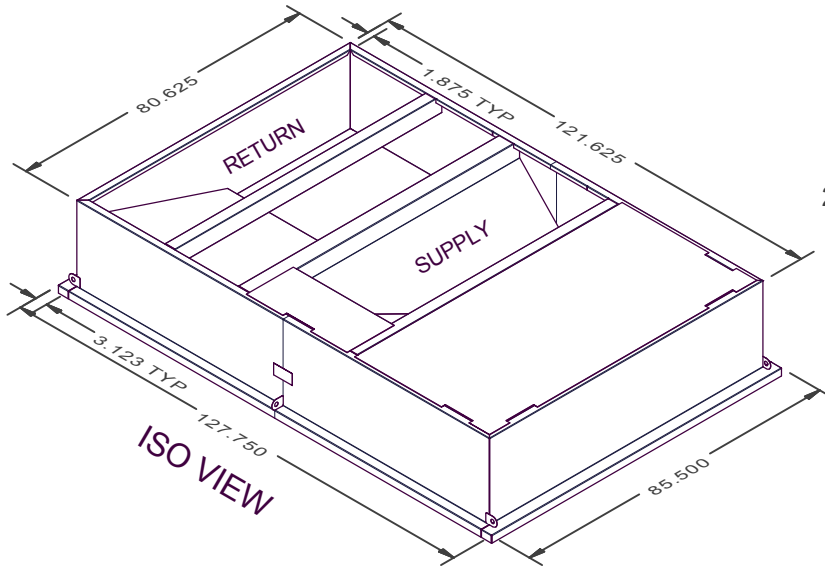


APRV'D BY: _____ DATE: _____



RRS ROOFTOP
SYSTEMS

1625 DIPLOMAT DR., CARROLLTON, TX 75006-6848
Phone: (972) 247-7447 (800) 552-4822
Fax: (972) 243-0940

NOTES:

1. Fully welded G90 galvanized construction
2. Supply and Return plenums fully insulated
3. Gaskets shipped with adapter
4. RRS reserves the right to change layout without notification.
5. If a curb adapter is needed in a different configuration, notify RRS prior to placing an order.
6. Curb Adapters up to 12.5 tons designed for less than .35" Total Static Pressure
7. Curb Adapters from 15-25 tons designed for less than .625" Total Static Pressure

CURB ADAPTOR FOR: YORK

OLD UNIT: LARGE SUNLINE 180-300

NEW UNIT: AV15-18, AH15, AL15, HV13

- **Verify existing curb dimensions**
- **Verify supply and return ducts.**
- **Document variations**
- **Contact RRS for all concerns and drawing verification.**

UNIT NO:	30-290-5429
DUCT TYPE:	NON-CONCENTRIC
WEIGHT:	534 lbs
Static Pressure:	NA
FORM#:	305429
DATE:	8/20/21
SUPERSEDES:	8/9/21