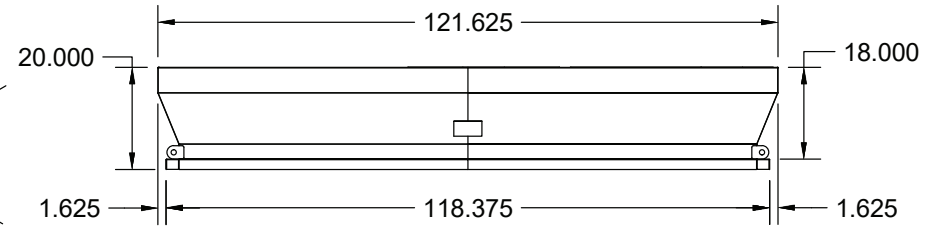
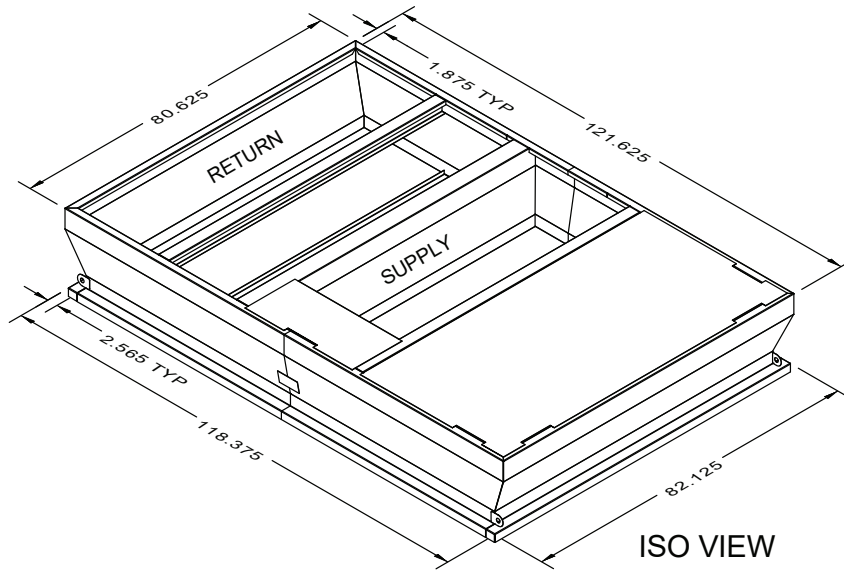
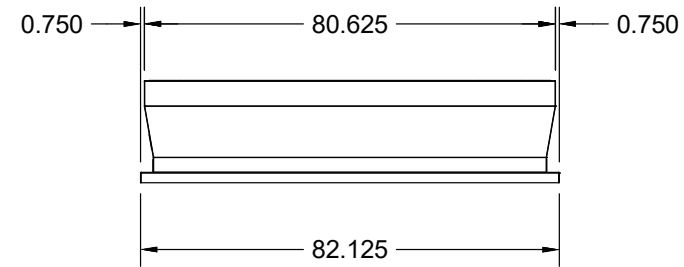
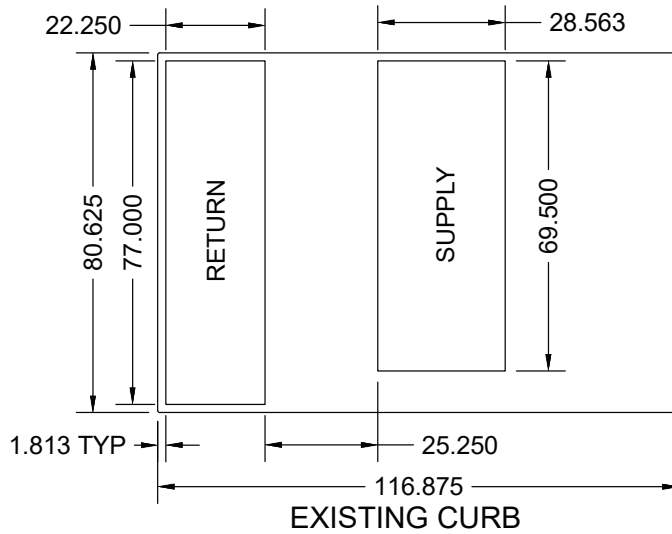


Approved By _____ Date: _____



FRONT VIEW



SIDE VIEW

RRS ROOFTOP SYSTEMS

605 Shiloh Road, Plano, Texas 75074
 Phone (972) 247-7447 (800) 552-4822
 Fax (972) 243-0940

Notes:

1. Fully welded G90 galvanized construction
2. Supply and Return plenums fully insulated
3. Gaskets shipped with adapter
4. RRS reserves the right to change layout without notification.
5. If a curb adapter is needed in a different configuration, notify RRS prior to placing an order.
6. Curb Adapters up to 12.5 tons designed for less than .35" Total Static Pressure.
7. Curb Adapters from 15-25 tons designed for less than .625" Total Static Pressure.

Curb Adapter for YORK
Old Unit: YCD/TCD 211-300
New Unit: AV15-18, AH15, AL15, HV13

- Verify existing curb dimensions
- Verify supply and return ducts.
- Document variations
- Contact RRS for all concerns and drawing verification.

Part No: 30-290-5416
Duct Type: Non-Concentric
Weight: 438 lbs
Static Pressure: N/A
Form#: 305416
Date: August 11, 2021
Supersedes: None