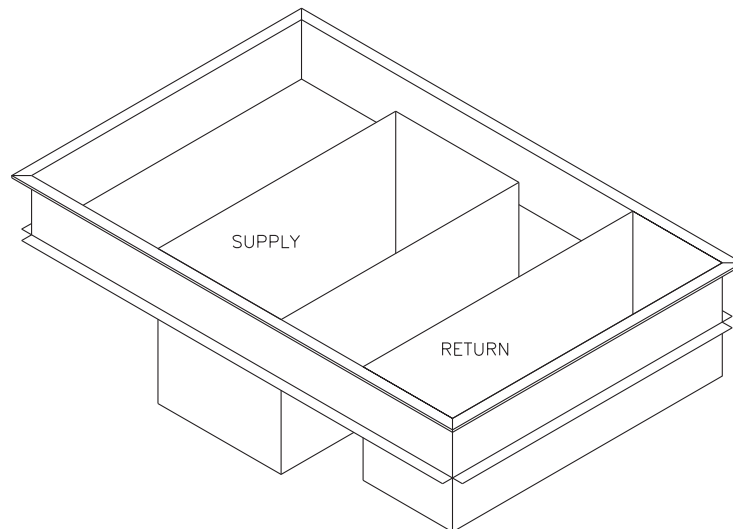
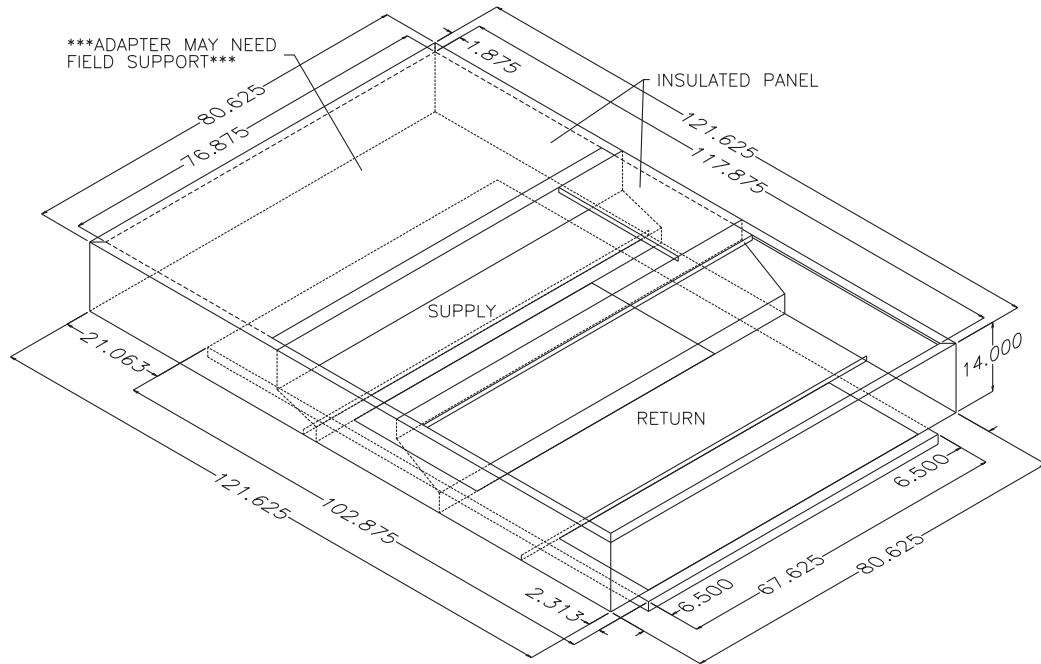


**Notes:**

1. Fully welded G90 galvanized construction.
2. Fully insulated.
3. Gaskets shipped with adaptor.
4. Separate supply and return ducts only.  
 (No concentrics - Consult factory.)
5. Adaptor matches existing duct.
6. Existing curb O.D. is 1 inch less than bottom skirt of adaptor.



RRS ADAPTER MODEL	DUCT TYPE	EXISTING CURB DIMENSIONS	HEIGHT
30-290-5413	NON-CONCENTRIC	102.00 x 66.75	14"