

## MIXING BOX FOR YORK / HITACHI UNITS

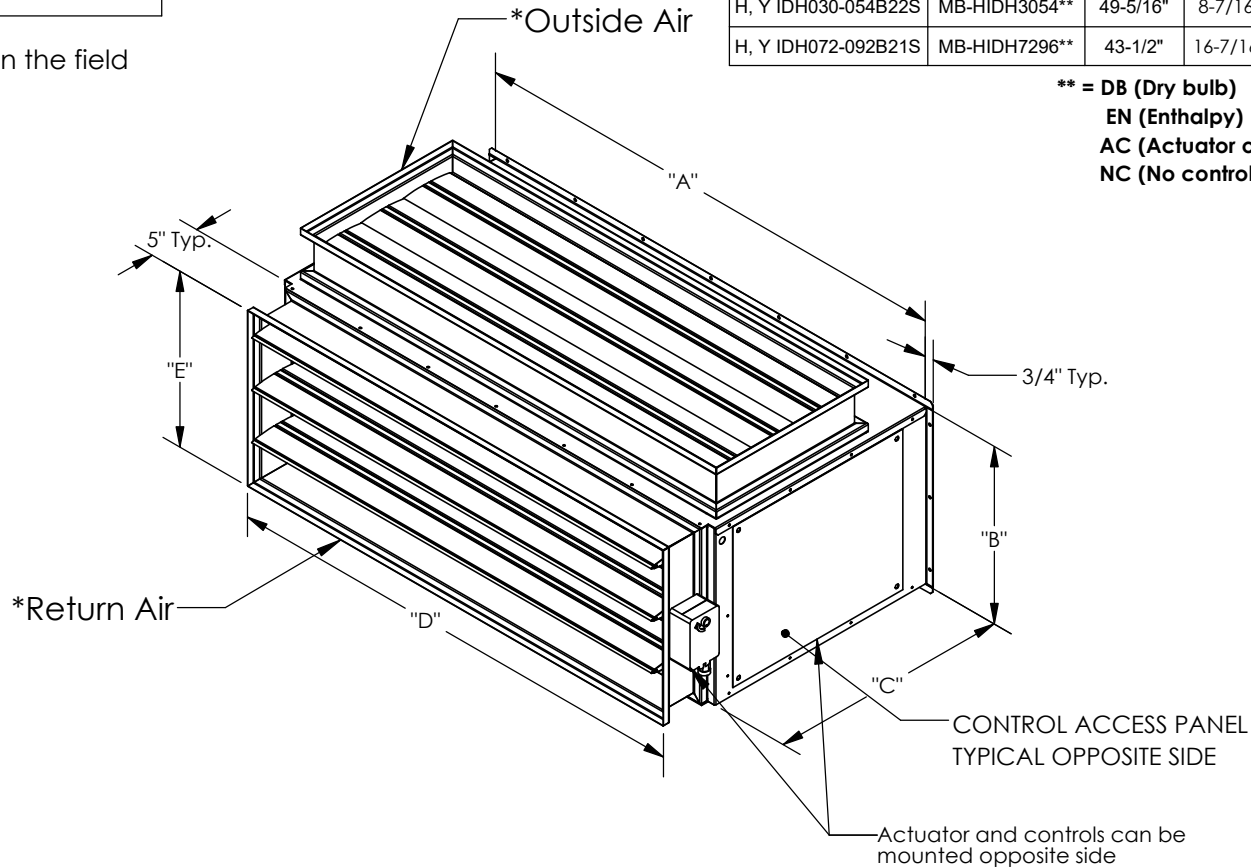
### FEATURES:

- 20 Ga. factory assembled.
- Insulation: 1"-1.5 lb. Density
- Title 24 compliant low leak dampers.
- Controls package includes:  
 DB Selectable dry bulb  
 or  
 EN Enthalpy modulating controls.  
 Also includes relay signal switch.

\* Can be swapped in the field

UNIT SIZE	PART NUMBER	A	B	C	D	E	Est. Weight
H, Y IDS006-012B21S	MB-HIDS0612**	30"	6-23/32"	13"	29-7/8"	6-23/32"	90 Lbs.
H, Y IDS015-018B21S	MB-HIDS1518**	41-5/8"	6-23/32"	13"	40-1/2"	6-23/32"	95 Lbs.
H, Y IDM006-015B22S	MB-HIDM0615**	21-3/4"	8-7/16"	15"	21-5/8"	8-7/16"	89 Lbs.
H, Y IDM018-027B22S	MB-HIDM1827**	35-1/2"	8-7/16"	15"	35-3/8"	8-7/16"	92 Lbs.
H, Y IDM030-054B22S	MB-HIDM3054**	49-5/16"	8-7/16"	15"	47"	8-7/16"	109 Lbs.
H, Y IDH015B22S	MB-HIDH15**	21-3/4"	8-7/16"	15"	21-5/8"	8-7/16"	89 Lbs.
H, Y IDH018-027B22S	MB-HIDH1827**	35-1/2"	8-7/16"	15"	35-3/8"	8-7/16"	92 Lbs.
H, Y IDH030-054B22S	MB-HIDH3054**	49-5/16"	8-7/16"	15"	47"	8-7/16"	109 Lbs.
H, Y IDH072-092B21S	MB-HIDH7296**	43-1/2"	16-7/16"	23"	43-3/8"	16-7/16"	113 Lbs.

\*\* = DB (Dry bulb)  
 EN (Enthalpy)  
 AC (Actuator only)  
 NC (No controls)



3847 WABASH DR.  
 MIRA LOMA, CA 91725

PHONE (951) 685-1101  
 FAX (619) 872-9799

SUBMITTED TO: \_\_\_\_\_  
 COMPANY: \_\_\_\_\_  
 JOB NAME: \_\_\_\_\_  
 EQUIPMENT: \_\_\_\_\_  
 NOTES: \_\_\_\_\_

FORM NO:

-

PART NUMBER:

MB-H Series

DATE:

6/24/2024

REV:

2

DRAWN BY:

CNG