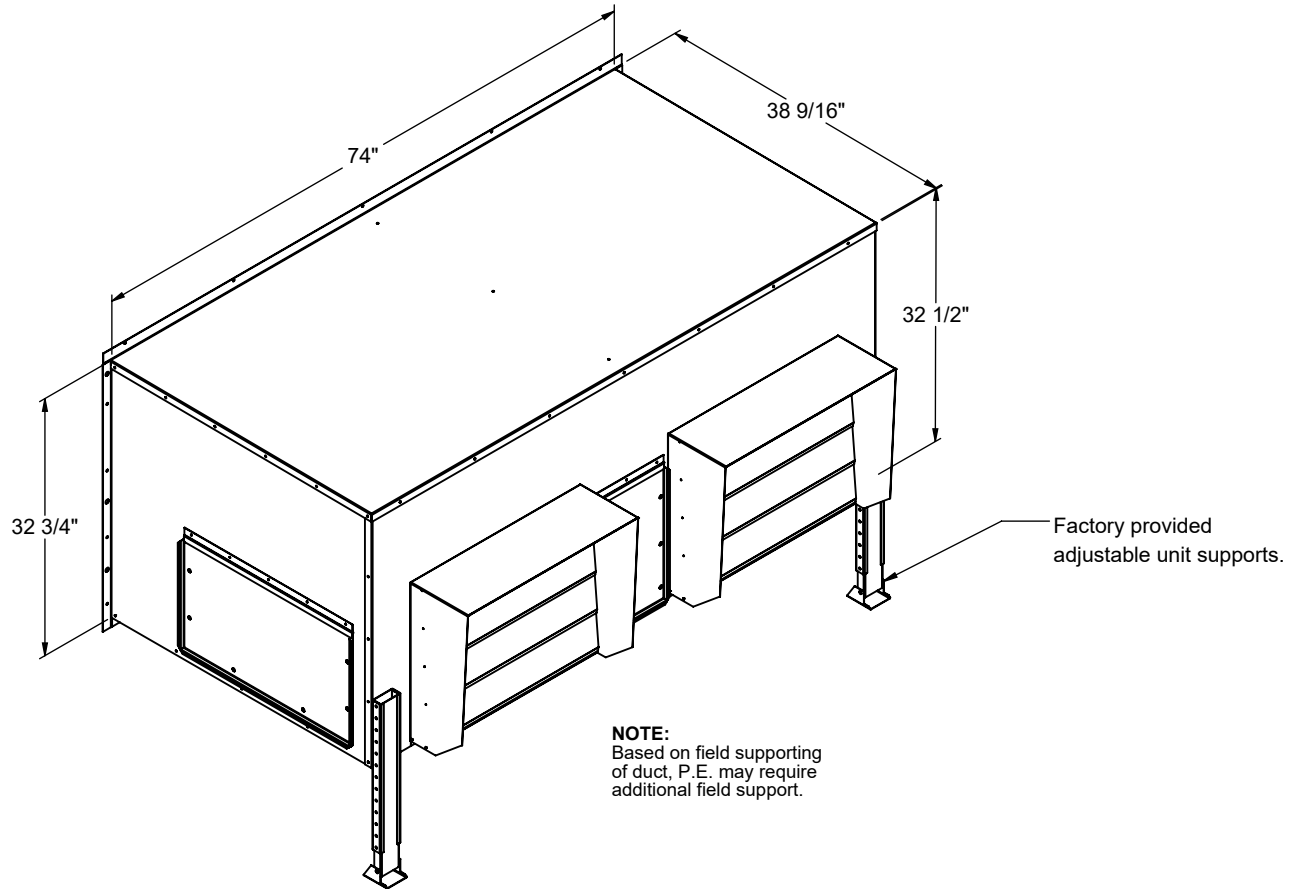


- FEATURES**
- Constant volume factory set for 2 stage.
 - Modulating option includes fully programmable (factory set) variable frequency drive controlled by a differential pressure transducer designed to continuously monitor space pressure.
 - Access door for motor, blower, and blower drives.
 - Adjustable motor sheave.
 - Motor with automatic internal thermal protection.

DOWN DISCHARGE CENTRIFUGAL POWER EXHAUST FOR SUN SELECT UNITS							ProVent P/N		Wt.
							CONSTANT VOLUME 2 STAGE	MODULATING	
27.5 - 35 TON							PEDCSEL283525C 208/230V 3Ph		400 Lbs.
VOLTAGE	ProVent P/N	External Static (in. W.G)				FLA	Hp	PEDCSEL283546C 460V 3Ph	
		0.1	0.25	0.375	0.5			PEDCSEL283525M 208/230V 3Ph	
230V/3Ph	PEDCSEL283525C PEDCSEL283525M	11,000 cfm	10,500 cfm	10,000 cfm	9,000 cfm	11.2	4 Hp Total (Qty. 2, 2 Hp)	PEDCSEL283546M 460V 3Ph	
460V/3Ph	PEDCSEL283546C PEDCSEL283546M					5.6			

PLEASE NOTE:

1. Return air duct, dampers, return air grills are specific for each unit.
2. For proper electrical wire sizing, Provent power exhaust full load amps need to be added to equation.



	3847 WABSH DRIVE MIRA LOMA, C. 91752 PHONE (951) 9588-1101 FAX (619) 872-9799	SUBMITTED TO: _____ COMPANY: _____ JOB NAME: _____ EQUIPMENT: _____ NOTES: _____	FORM NO: - DATE: 9/15/2021	PART NUMBER: PEDCSEL2835 REV: -	DRAWN BY: ALL
--	--	---	---	--	-------------------------