

FEATURES

- Includes fully modulating economizer.
- AMCA certified CD-60 Airfoil O/A dampers blades.
- Meets leakage rate as required by ASHRAE 90.1.
- CD-60 Airfoil R/A damper blades.
- Modulating option includes fully programmable (factory set) variable frequency drive controlled by a differential pressure transducer designed to continuously monitor space pressure.
- CO2 controller standard on economizer. Space or duct mounted CO2 sensor provided as option:
 - CO2WM - Wall Mount With LED
 - CO2DM - Duct Mount
- Access door for motor, blower, and blower drives.
- Adjustable motor sheave.
- Motor with automatic internal thermal protection.

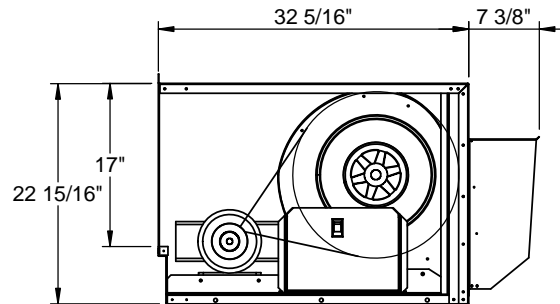
HORIZONTAL DISCHARGE CENTRIFUGAL POWER EXHAUST ECONOMIZER FOR YORK CORE UNITS

ZX 07; XQ, XY, ZY, ZL 05-06; ZQ 06; XXA7, ZXA7

VOLTAGE	External Static (in. W.G)				FLA	Hp	Wt
	0.1	0.2	0.3	0.4			
230V/3Ph	2,400 cfm	2,200 cfm	2,000 cfm	1,800 cfm	3.2	1	248 Lbs. (Includes Economizer)
460V/3Ph					1.6		

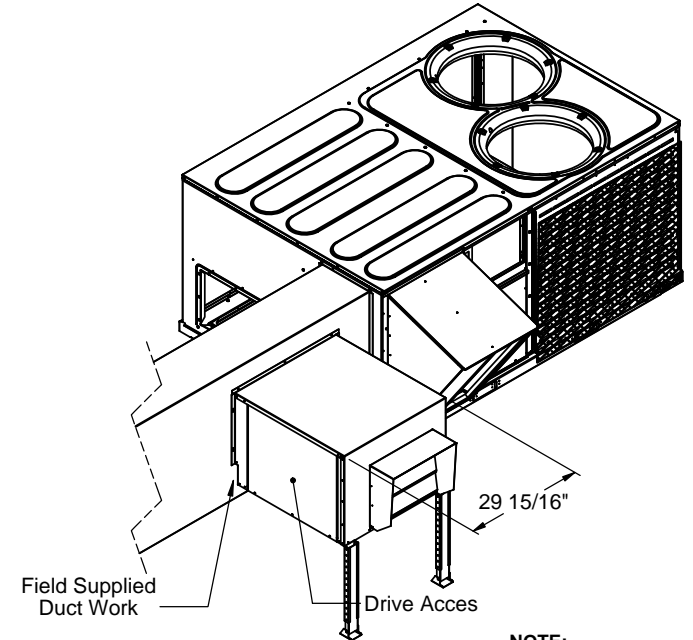
PLEASE NOTE:

1. Return air duct, dampers, return air grills are specific for each unit.
2. For proper electrical wire sizing, Provent power exhaust full load amps need to be added to equation.



NOTE:
If drive components are required on other side (RT) please specify when ordering.

ProVent P/N	
CONSTANT VOLUME	MODULATING
PEH CPRSTDB06C 208/230V 1Ph Selectable Dry Bulb	PEH CPRSTDB06M 208/230V 1Ph Selectable Dry Bulb
PEH CPRSTEN06C 208/230V 1Ph Enthalpy	PEH CPRSTEN06M 208/230V 1Ph Enthalpy
PEH CPRSTDB25C 208/230V 3Ph Selectable Dry Bulb	PEH CPRSTDB25M 208/230V 3Ph Selectable Dry Bulb
PEH CPRSTEN25C 208/230V 3Ph Enthalpy	PEH CPRSTEN25M 208/230V 3Ph Enthalpy
PEH CPRSTDB46C 460V 3Ph Selectable Dry Bulb	PEH CPRSTDB46M 460V 3Ph Selectable Dry Bulb
PEH CPRSTEN46C 460V 3Ph Enthalpy	PEH CPRSTEN46M 460V 3Ph Enthalpy



NOTE:
Based on field supporting of duct, P.E. may require additional field support.



Only Ruskin Company Model CD-60 is AMCA Certified



3847 WABASH DR.
MIRA LOMA, CA 91725

PHONE (951) 685-1101
FAX (619) 872-9799

SUBMITTED TO: _____
COMPANY: _____
JOB NAME: _____
EQUIPMENT: _____
NOTES: _____

FORM NO:
PE-62

DATE:
3/6/2018

PART NUMBER:
PEH CPRST SERIES

REV:
4

DRAWN BY:
CNG

FEATURES

- CA Title 24 Compliant. (includes FDD)
- Direct coupled style actuator standard.
- Stainless steel damper side seals.
- AMCA certified CD-60 Airfoil dampers blades.
- Meets leakage rate as required by ASHRAE 90.1.
- External linkage system.
- Mechanically secured outside air intake filter.
- Capable of introducing up to 100% outdoor air.
- Metal Filter Included: 23" x 5" x 7/8" (exact)

FEATURES (When Ordered With Control Options)

- Fully modulating damper controls with enthalpy, dry bulb and differential temperature sensor options.
- Selectable economizer changeover temperature set point.
- Requires part number 6210-0046 for Dual Enthalpy.
- CO2 controller standard.

Wall or duct mounted CO2 sensor provided as option:

- CO2WM - Wall Mount
- CO2DM - Duct Mount



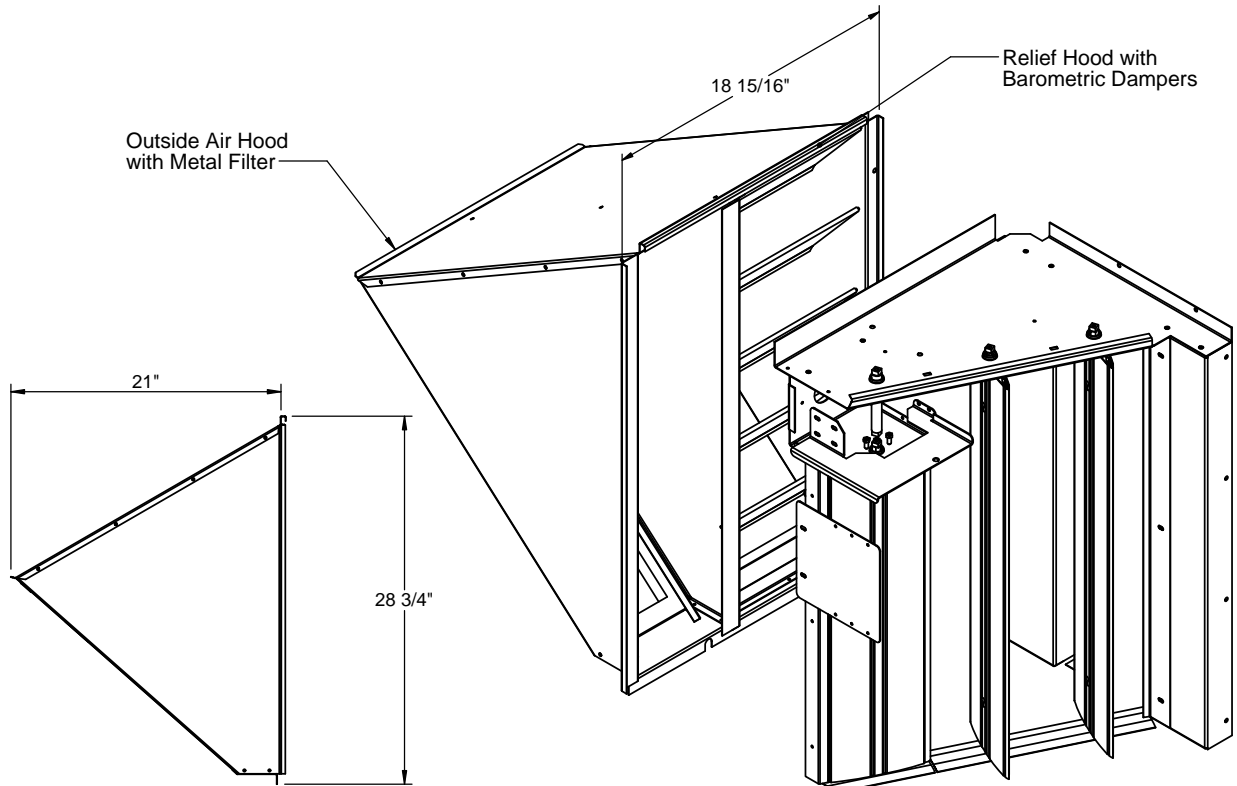
Only Ruskin Company Model CD-60 is AMCA Certified

HORIZONTAL DISCHARGE ECONOMIZER WITH AIRFOIL DAMPER BLADES AND BAROMETRIC RELIEF FOR YORK PRESTIGE UNITS:

ZX 04-07; XY, ZY, ZQ, XQ 04-06; XXA7

** INCLUDES CENTER POST AND FILTER ACCESS PANEL **

York Model	ProVent P/N	Weight
ZX 04-06; XY, ZY, XQ 04 ZQ 04-05	ECOHPRSSDB (Fully Modulating Dry Bulb)	81 Lbs.
	ECOHPRSSEN (Fully Modulating Enthalpy)	
ZX 07; XY, ZY, XQ 05-06 ZQ 06; XXA7	ECOHPRSTDB (Fully Modulating Dry Bulb)	
	ECOHPRSTEN (Fully Modulating Enthalpy)	



HOOD SIDE DETAIL



3847 WABASH DR.
MIRA LOMA, CA 91725

PHONE (951) 685-1101
FAX (619) 872-9799

SUBMITTED TO: _____
COMPANY: _____
JOB NAME: _____
EQUIPMENT: _____
NOTES: _____

FORM NO:
ECO-89

DATE:
8/20/2018

PART NUMBER:
ECOHPRS Series

REV:
9

DRAWN BY:
CNG