

**FEATURES**

- Includes fully modulating economizer.
- **AMCA certified CD-60 Airfoil O/A dampers blades.**
- **Meets leakage rate as required by ASHRAE 90.1.**
- **CD-60 Airfoil R/A damper blades.**
- Modulating option includes fully programmable (factory set) variable frequency drive controlled by a differential pressure transducer designed to continuously monitor space pressure.
- CO2 controller standard on economizer. Space or duct mounted CO2 sensor provided as option:
  - CO2WM - Wall Mount With LED
  - CO2DM - Duct Mount
- Access door for motor, blower, and blower drives.
- Adjustable motor sheave.
- Motor with automatic internal thermal protection.

**HORIZONTAL DISCHARGE CENTRIFUGAL POWER EXHAUST ECONOMIZER FOR YORK CORE UNITS**

ZX04-06; ZY, XY, XQ, ZL04; ZQ04-05

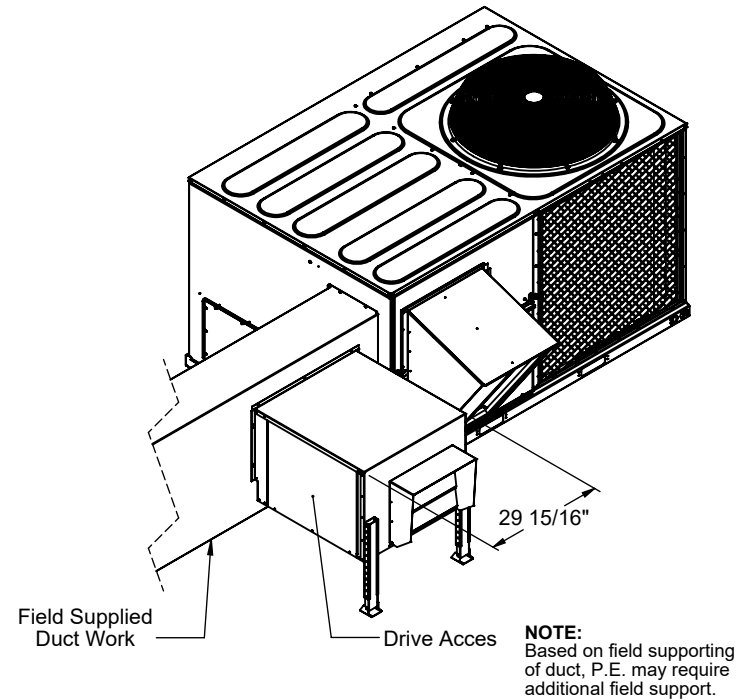
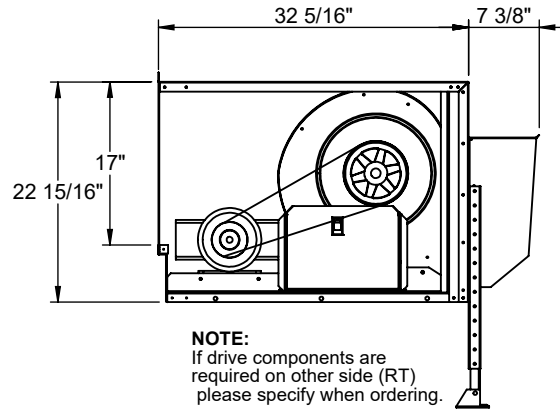
VOLTAGE	External Static (in. W.G)				FLA	Hp	Wt
	0.1	0.2	0.3	0.4			
230V/3Ph	2,400 cfm	2,200 cfm	2,000 cfm	1,800 cfm	3.2	1	248 Lbs. (Includes Economizer)
460V/3Ph					1.6		
208/230 1Ph-M					5.54		
208/230 1Ph-C					7.25		

**ProVent P/N**

CONSTANT VOLUME	MODULATING
<b>PEHCPRSSDB06C</b> 208/230V 1Ph Selectable Dry Bulb	<b>PEHCPRSSDB06M</b> 208/230V 1Ph Selectable Dry Bulb
<b>PEHCPRSSEN06C</b> 208/230V 1Ph Enthalpy	<b>PEHCPRSSEN06M</b> 208/230V 1Ph Enthalpy
<b>PEHCPRSSDB25C</b> 208/230V 3Ph Selectable Dry Bulb	<b>PEHCPRSSDB25M</b> 208/230V 3Ph Selectable Dry Bulb
<b>PEHCPRSSEN25C</b> 208/230V 3Ph Enthalpy	<b>PEHCPRSSEN25M</b> 208/230V 3Ph Enthalpy
<b>PEHCPRSSDB46C</b> 460V 3Ph Selectable Dry Bulb	<b>PEHCPRSSDB46M</b> 460V 3Ph Selectable Dry Bulb
<b>PEHCPRSSEN46C</b> 460V 3Ph Enthalpy	<b>PEHCPRSSEN46M</b> 460V 3Ph Enthalpy

**PLEASE NOTE:**

1. Return air duct, dampers, return air grills are specific for each unit.
2. For proper electrical wire sizing, Provent power exhaust full load amps need to be added to equation.



Only Ruskin Company Model CD-60 is AMCA Certified



3847 WABASH DRIVE  
MIRA LOMA, CA 91725

PHONE (951) 685-1101  
FAX (619) 872-9799

SUBMITTED TO: \_\_\_\_\_  
 COMPANY: \_\_\_\_\_  
 JOB NAME: \_\_\_\_\_  
 EQUIPMENT: \_\_\_\_\_  
 NOTES: \_\_\_\_\_

FORM NO:  
PE-61

DATE:  
11/5/2021

PART NUMBER:  
PEHCPRSS SERIES

REV: 6  
DRAWN BY: ALL

**FEATURES**

- CA Title 24 Compliant. (includes FDD)
- Direct coupled style actuator standard.
- Stainless steel damper side seals.
- AMCA certified CD-60 Airfoil dampers blades.
- Meets leakage rate as required by ASHRAE 90.1.
- External linkage system.
- Mechanically secured outside air intake filter.
- Capable of introducing up to 100% outdoor air.
- Metal Filter Included: 23" x 5" x 7/8" (exact)

**FEATURES (When Ordered With Control Options)**

- Fully modulating damper controls with enthalpy, dry bulb and differential temperature sensor options.
- Selectable economizer changeover temperature set point.
- Requires part number 6210-0046 for Dual Enthalpy.
- CO2 controller standard.

Wall or duct mounted CO2 sensor provided as option:

- CO2WM - Wall Mount
- CO2DM - Duct Mount



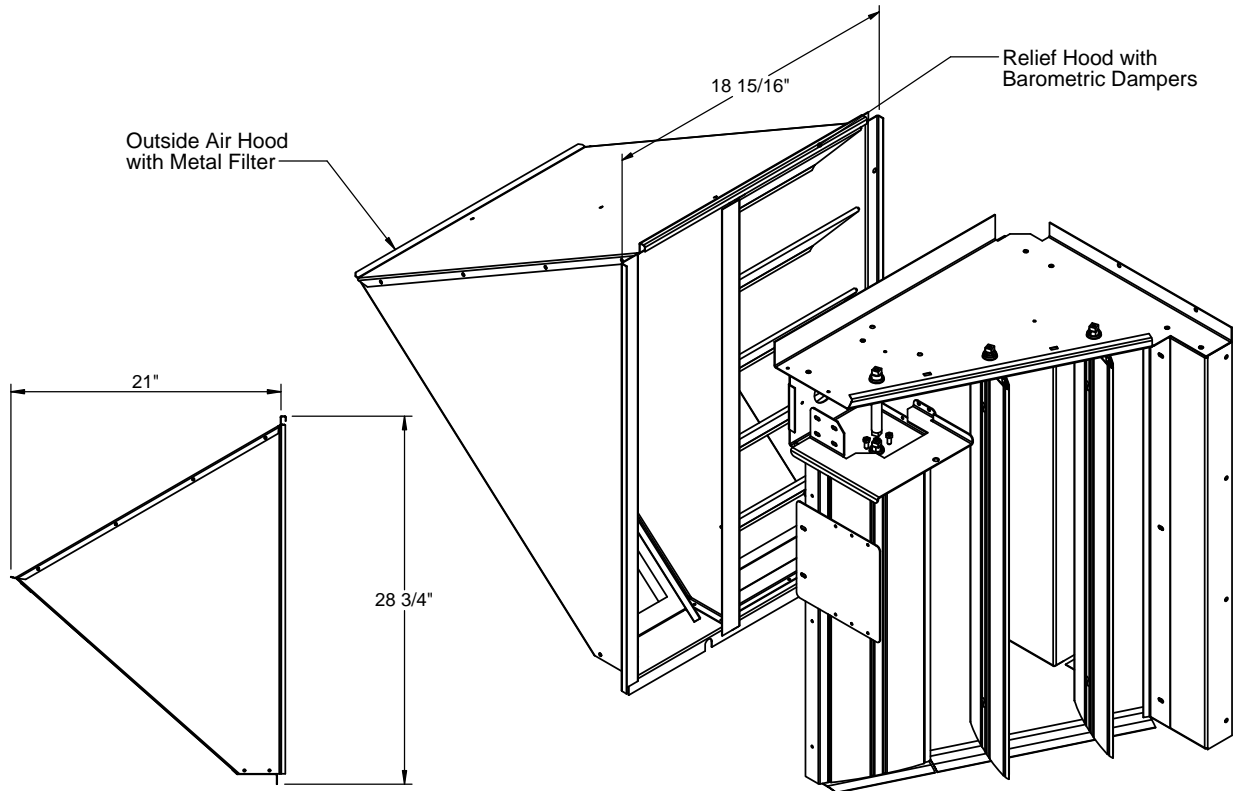
Only Ruskin Company Model CD-60 is AMCA Certified

**HORIZONTAL DISCHARGE ECONOMIZER WITH AIRFOIL DAMPER BLADES AND BAROMETRIC RELIEF FOR YORK PRESTIGE UNITS:**

**ZX 04-07; XY, ZY, ZQ, XQ 04-06; XXA7**

\*\* INCLUDES CENTER POST AND FILTER ACCESS PANEL \*\*

York Model	ProVent P/N	Weight
ZX 04-06; XY, ZY, XQ 04 ZQ 04-05	ECOHPRSSDB (Fully Modulating Dry Bulb)	81 Lbs.
	ECOHPRSSEN (Fully Modulating Enthalpy)	
ZX 07; XY, ZY, XQ 05-06 ZQ 06; XXA7	ECOHPRSTDB (Fully Modulating Dry Bulb)	
	ECOHPRSTEN (Fully Modulating Enthalpy)	



HOOD SIDE DETAIL



3847 WABASH DR.  
MIRA LOMA, CA 91725

PHONE (951) 685-1101  
FAX (619) 872-9799

SUBMITTED TO: \_\_\_\_\_  
 COMPANY: \_\_\_\_\_  
 JOB NAME: \_\_\_\_\_  
 EQUIPMENT: \_\_\_\_\_  
 NOTES: \_\_\_\_\_

FORM NO:  
ECO-89

DATE:  
8/20/2018

PART NUMBER:  
ECOHPRS Series

REV:  
9

DRAWN BY:  
CNG