

**FEATURES**

- Includes fully modulating economizer.
- **AMCA certified CD-60 Airfoil O/A dampers blades.**
- **Meets leakage rate as required by ASHRAE 90.1.**
- **CD-60 Airfoil R/A damper blades.**
- Modulating option includes fully programmable (factory set) variable frequency drive controlled by a differential pressure transducer designed to continuously monitor space pressure.
- CO2 controller standard on economizer. Space or duct mounted CO2 sensor provided as option:
  - CO2WM - Wall Mount With LED
  - CO2DM - Duct Mount
- Access door for motor, blower, and blower drives.
- Adjustable motor sheave.
- Motor with automatic internal thermal protection.



Only Ruskin Company Model CD-60 is AMCA Certified

**HORIZONTAL DISCHARGE CENTRIFUGAL POWER EXHAUST ECONOMIZER FOR YORK CORE UNITS**

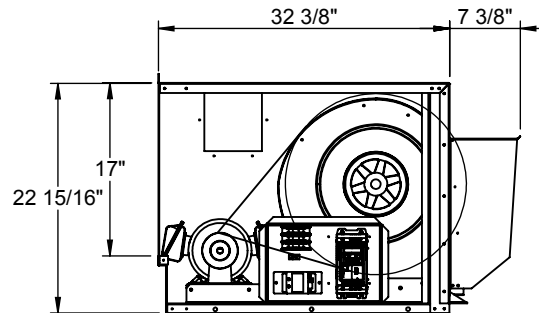
**ZX 08; XY, ZY 07; XYA7, ZYA7**

VOLTAGE	External Static (in. W.G)				FLA	Hp	Wt
	0.1	0.2	0.3	0.4			
230V/3Ph	2,640 cfm	2,472 cfm	2,344 cfm	2,146 cfm	3.2	1	248 Lbs. (Includes Economizer)
460V/3Ph					1.6		

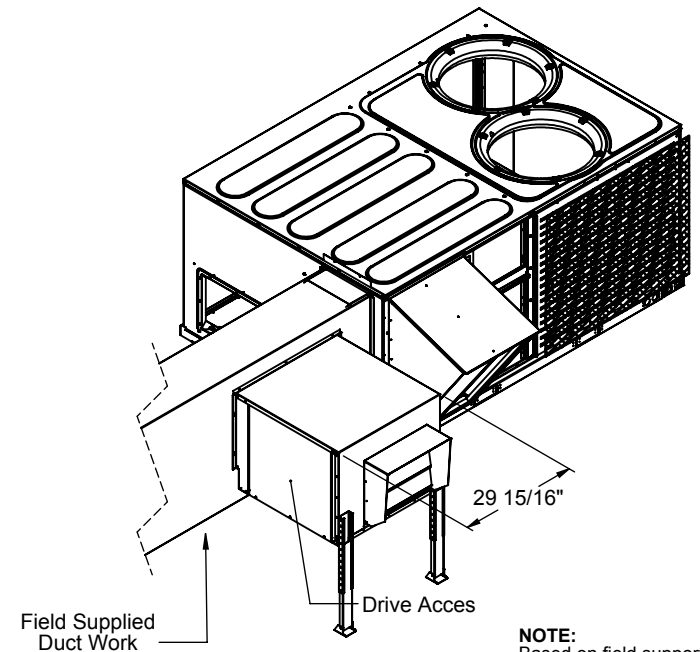
ProVent P/N	
CONSTANT VOLUME	MODULATING
<b>PEHCPRLSDB25C</b> 208/230V 3Ph Selectable Dry Bulb	<b>PEHCPRLSDB25M</b> 208/230V 3Ph Selectable Dry Bulb
<b>PEHCPRLSEN25C</b> 208/230V 3Ph Enthalpy	<b>PEHCPRLSEN25M</b> 208/230V 3Ph Enthalpy
<b>PEHCPRLSDB46C</b> 460V 3Ph Selectable Dry Bulb	<b>PEHCPRLSDB46M</b> 460V 3Ph Selectable Dry Bulb
<b>PEHCPRLSEN46C</b> 460V 3Ph Enthalpy	<b>PEHCPRLSEN46M</b> 460V 3Ph Enthalpy

**PLEASE NOTE:**

1. Return air duct, dampers, return air grills are specific for each unit.
2. For proper electrical wire sizing, Provent power exhaust full load amps need to be added to equation.



**NOTE:**  
If drive components are required on other side (RT) please specify when ordering.



**NOTE:**  
Based on field supporting of duct, P.E. may require additional field support.



3847 WABASH DR.  
MIRA LOMA, CA 91725

PHONE (951) 685-1101  
FAX (619) 872-9799

SUBMITTED TO: \_\_\_\_\_  
COMPANY: \_\_\_\_\_  
JOB NAME: \_\_\_\_\_  
EQUIPMENT: \_\_\_\_\_  
NOTES: \_\_\_\_\_

FORM NO:  
PE-54

PART NUMBER:  
PEHCPRLS SERIES

DATE:  
2/18/2019

REV:  
5

DRAWN BY:  
FMM

**FEATURES**

- CA Title 24 Compliant. (includes FDD)
- Direct coupled style actuator standard.
- Stainless steel damper side seals.
- AMCA certified CD-60 Airfoil dampers blades.
- Meets leakage rate as required by ASHRAE 90.1.
- External linkage system.
- Mechanically secured outside air intake filter.
- Capable of introducing up to 100% outdoor air.
- Metal Filter Included: 33 1/2" x 10 1/2" x 7/8" (exact)

**FEATURES (When Ordered With Control Options)**

- Fully modulating damper controls with enthalpy, dry bulb and differential temperature sensor options.
- Selectable economizer changeover temperature set point.
- Requires part number 6210-0046 for Dual Enthalpy.
- CO2 controller standard.

Wall or duct mounted CO2 sensor provided as option:

- CO2WM - Wall Mount
- CO2DM - Duct Mount



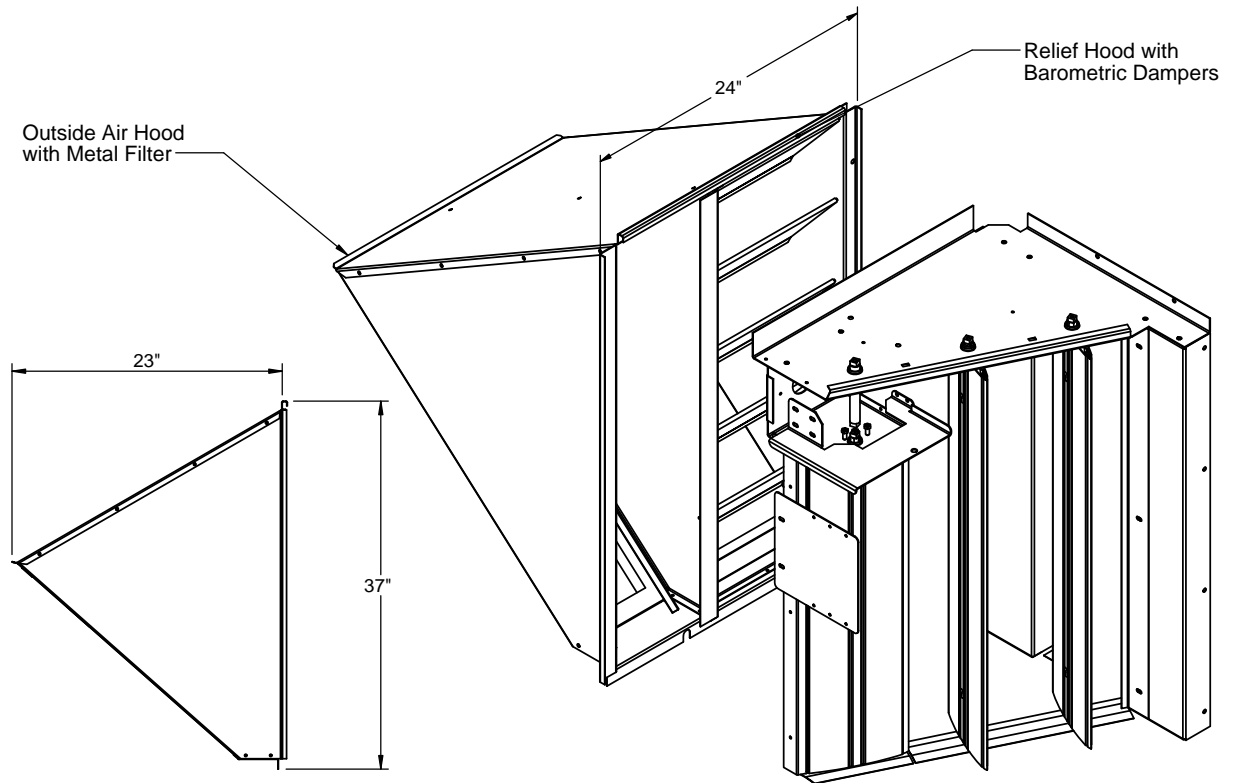
Only Ruskin Company Model CD-60 is AMCA Certified

**HORIZONTAL DISCHARGE ECONOMIZER WITH AIRFOIL DAMPER BLADES AND BAROMETRIC RELIEF FOR YORK PRESTIGE UNITS:**

**ZX, ZL08-14; XX 08-12; ZY 07-12; XY 07-09; XY, ZYA7**

York Model	ProVent P/N	Weight
ZX 08; XY, ZY 07 XY A7, ZY A7	ECOHPRLSDB (Fully Modulating Dry Bulb)	96 Lbs.
	ECOHPRLSEN (Fully Modulating Enthalpy)	
ZX 09-14; XY08-09; ZY 08-12; XX 08-12	ECOHPRLTDB (Fully Modulating Dry Bulb)	
	ECOHPRLTEN (Fully Modulating Enthalpy)	

\*\* INCLUDES CENTER POST AND FILTER ACCESS PANEL \*\*



HOOD SIDE DETAIL



3847 WABASH DR.  
MIRA LOMA, CA 91725

PHONE (951) 685-1101  
FAX (619) 872-9799

SUBMITTED TO: \_\_\_\_\_  
 COMPANY: \_\_\_\_\_  
 JOB NAME: \_\_\_\_\_  
 EQUIPMENT: \_\_\_\_\_  
 NOTES: \_\_\_\_\_

FORM NO:  
ECO-88

DATE:  
8/20/2018

PART NUMBER:  
ECOHPRL Series

REV:  
7

DRAWN BY:  
CNG