

FEATURES

- Includes fully modulating economizer.
- AMCA certified CD-60 Airfoil O/A dampers blades.
- Meets leakage rate as required by ASHRAE 90.1.
- CD-60 Airfoil R/A damper blades.
- Modulating option includes fully programmable (factory set) variable frequency drive controlled by a differential pressure transducer designed to continuously monitor space pressure.
- CO2 controller standard on economizer. Space or duct mounted CO2 sensor provided as option:
 - CO2WM - Wall Mount With LED
 - CO2DM - Duct Mount
- Access door for motor, blower, and blower drives.
- Adjustable motor sheave.
- Motor with automatic internal thermal protection.

HORIZONTAL DISCHARGE CENTRIFUGAL POWER EXHAUST ECONOMIZER FOR YORK CORE UNITS

ZX 09-14; XY 08-09; ZY 08-12; XX 08-12; ZL 08-14

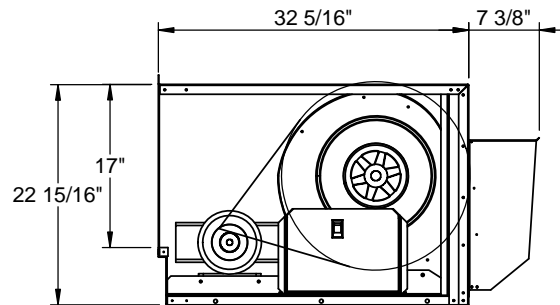
VOLTAGE	External Static (in. W.G)				FLA	Hp	Wt
	0.1	0.2	0.3	0.4			
230V/3Ph	4,750 cfm	4,600 cfm	4,500 cfm	4,400 cfm	5.6	2	248 Lbs. (Includes Economizer)
460V/3Ph					2.8		

ProVent P/N

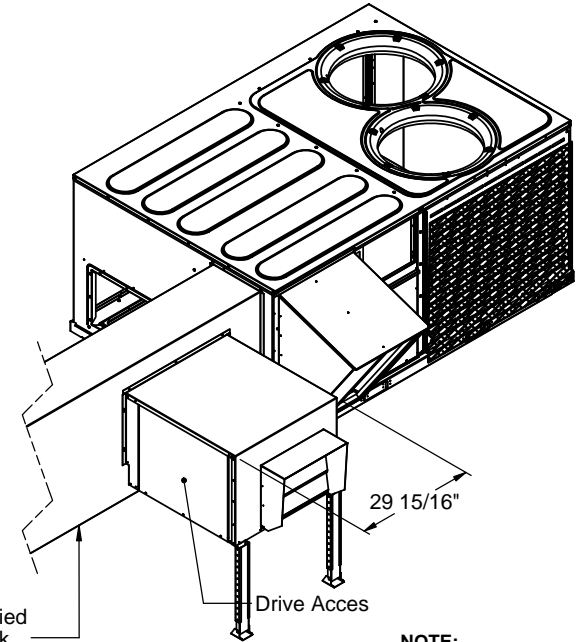
CONSTANT VOLUME	MODULATING
PEHCPRLTDB25C 208/230V 3Ph Selectable Dry Bulb	PEHCPRLTDB25M 208/230V 3Ph Selectable Dry Bulb
PEHCPRLTEN25C 208/230V 3Ph Enthalpy	PEHCPRLTEN25M 208/230V 3Ph Enthalpy
PEHCPRLTDB46C 460V 3Ph Selectable Dry Bulb	PEHCPRLTDB46M 460V 3Ph Selectable Dry Bulb
PEHCPRLTEN46C 460V 3Ph Enthalpy	PEHCPRLTEN46M 460V 3Ph Enthalpy

PLEASE NOTE:

1. Return air duct, dampers, return air grills are specific for each unit.
2. For proper electrical wire sizing, Provent power exhaust full load amps need to be added to equation.



NOTE:
If drive components are required on other side (RT) please specify when ordering.



NOTE:
Based on field supporting of duct, P.E. may require additional field support.



Only Ruskin Company Model CD-60 is AMCA Certified



3847 WABASH DR.
MIRA LOMA, CA 91725

PHONE (951) 685-1101
FAX (619) 872-9799

SUBMITTED TO: _____
COMPANY: _____
JOB NAME: _____
EQUIPMENT: _____
NOTES: _____

FORM NO:
PE-53

PART NUMBER:
PEHCPRLT SERIES

DATE:
3/6/2018

REV:
4

DRAWN BY:
CNG

FEATURES

- CA Title 24 Compliant. (includes FDD)
- Direct coupled style actuator standard.
- Stainless steel damper side seals.
- AMCA certified CD-60 Airfoil dampers blades.
- Meets leakage rate as required by ASHRAE 90.1.
- External linkage system.
- Mechanically secured outside air intake filter.
- Capable of introducing up to 100% outdoor air.
- Metal Filter Included: 33 1/2" x 10 1/2" x 7/8" (exact)

FEATURES (When Ordered With Control Options)

- Fully modulating damper controls with enthalpy, dry bulb and differential temperature sensor options.
- Selectable economizer changeover temperature set point.
- Requires part number 6210-0046 for Dual Enthalpy.
- CO2 controller standard.

Wall or duct mounted CO2 sensor provided as option:

- CO2WM - Wall Mount
- CO2DM - Duct Mount



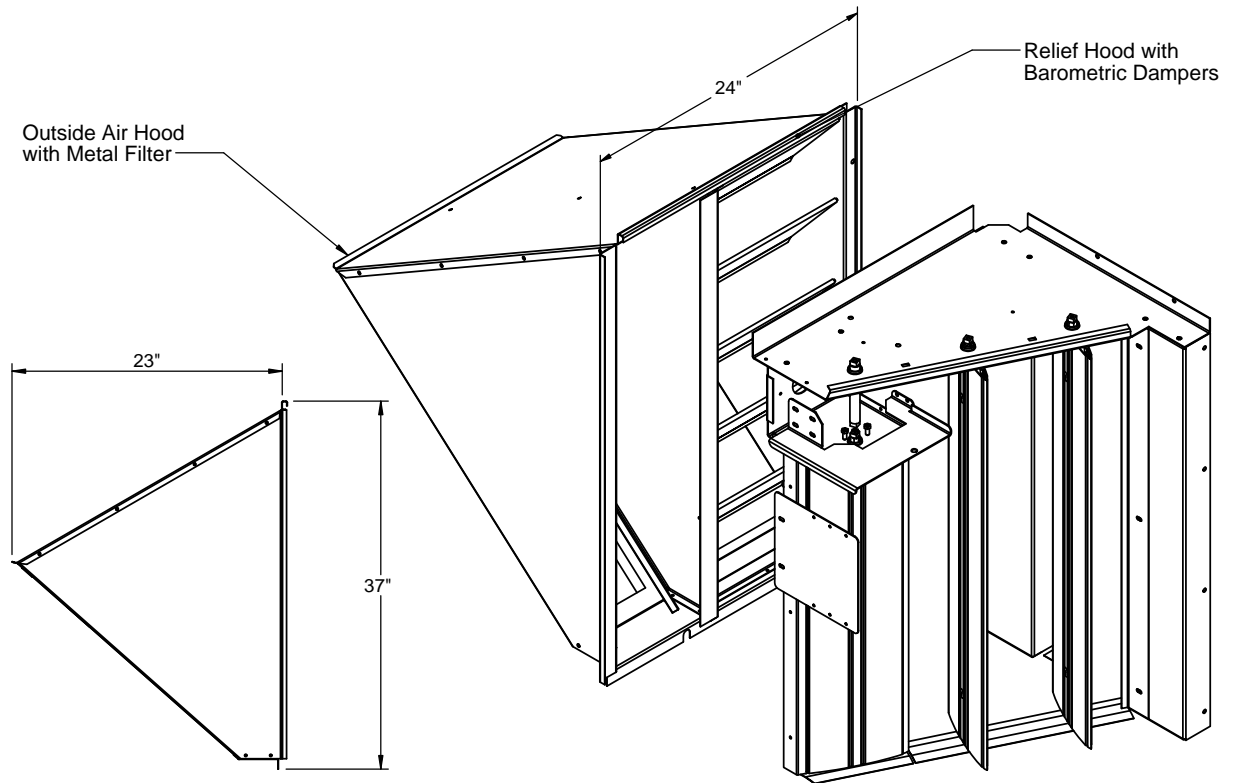
Only Ruskin Company Model CD-60 is AMCA Certified

HORIZONTAL DISCHARGE ECONOMIZER WITH AIRFOIL DAMPER BLADES AND BAROMETRIC RELIEF FOR YORK PRESTIGE UNITS:

ZX, ZL08-14; XX 08-12; ZY 07-12; XY 07-09; XY, ZYA7

York Model	ProVent P/N	Weight
ZX 08; XY, ZY 07 XY A7, ZY A7	ECOHPRLSDB (Fully Modulating Dry Bulb)	96 Lbs.
	ECOHPRLSEN (Fully Modulating Enthalpy)	
ZX 09-14; XY08-09; ZY 08-12; XX 08-12	ECOHPRLTDB (Fully Modulating Dry Bulb)	
	ECOHPRLTEN (Fully Modulating Enthalpy)	

** INCLUDES CENTER POST AND FILTER ACCESS PANEL **



HOOD SIDE DETAIL



3847 WABASH DR.
MIRA LOMA, CA 91725

PHONE (951) 685-1101
FAX (619) 872-9799

SUBMITTED TO: _____
 COMPANY: _____
 JOB NAME: _____
 EQUIPMENT: _____
 NOTES: _____

FORM NO:
ECO-88

DATE:
8/20/2018

PART NUMBER:
ECOHPRL Series

REV:
7

DRAWN BY:
CNG