

- FEATURES**
- Includes fully modulating economizer. (See Form ECO-185 for Economizer Specs).
 - LEED option with economizer.
 - Access for motor, blower, and blower drives.
 - Adjustable motor sheave.
 - Motor with automatic internal thermal protection.
 - Modulating option includes fully programmable (factory set) variable frequency drive controlled by a differential pressure transducer designed to continuously monitor space pressure.

CONVERTIBLE DISCHARGE CENTRIFUGAL POWER EXHAUST WITH ECONOMIZER FOR YORK UNITS WITH SE CONTROLS

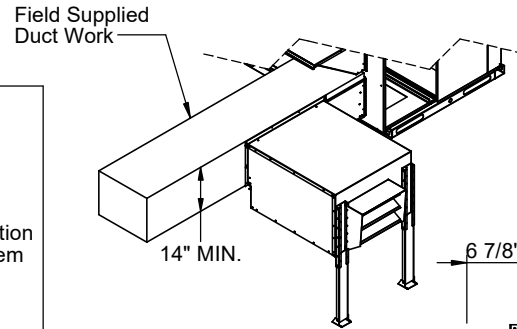
**ZR, XN, XP, WN 036-060
ZE, ZF, KE 036-072**

VOLTAGE	External Static (in. W.G)				FLA	Hp	Wt
	0.1	0.2	0.3	0.4			
208/230V, 1Ph					7.0	1	180 Lbs. (Includes Economizer)
230V, 3Ph	2,400 cfm	2,200 cfm	2,000 cfm	1,800 cfm	3.2		
460V, 3Ph					1.6		

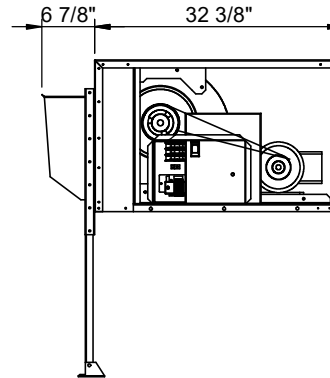
PLEASE NOTE:

- Return air duct, dampers, return air grills are specific for each unit.
- For proper electrical wire sizing, Provent power exhaust full load amps need to be added to equation.

HORIZONTAL DISCHARGE



Ruskin Company Model CD-60 is AMCA Certified

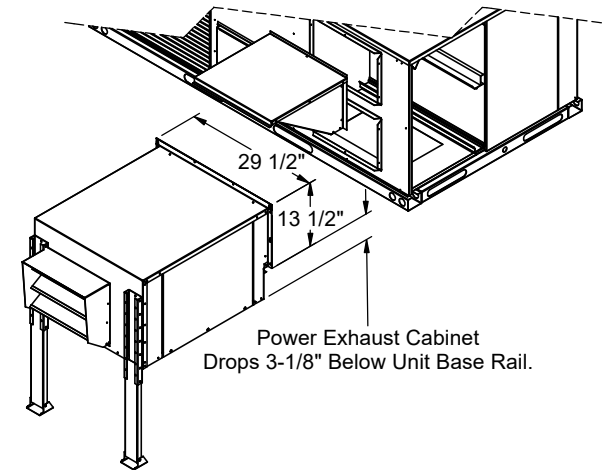


ProVent P/N

CONSTANT VOLUME	MODULATING
PECCSUN3672AC06CS 208/230V 1Ph Actuator Only	PECCSUN3672AC06MS 208/230V 1Ph Actuator Only
PECCSUN3672DB06CS 208/230V 1Ph SSE Controller Dry Bulb	PECCSUN3672DB06MS 208/230V 1Ph SSE Controller Dry Bulb
PECCSUN3672EN06CS 208/230V 1Ph SSE Controller Enthalpy	PECCSUN3672EN06MS 208/230V 1Ph SSE Controller Enthalpy
PECCSUN3672AC25CS 208/230V 3Ph Actuator Only	PECCSUN3672AC25MS 208/230V 3Ph Actuator Only
PECCSUN3672DB25CS 208/230V 3Ph SSE Controller Dry Bulb	PECCSUN3672DB25MS 208/230V 3Ph SSE Controller Dry Bulb
PECCSUN3672EN25CS 208/230V 3Ph SSE Controller Enthalpy	PECCSUN3672EN25MS 208/230V 3Ph SSE Controller Enthalpy
PECCSUN3672AC46CS 460V 3Ph Actuator Only	PECCSUN3672AC46MS 460V 3Ph Actuator Only
PECCSUN3672DB46CS 460V 3Ph SSE Controller Dry Bulb	PECCSUN3672DB46MS 460V 3Ph SSE Controller Dry Bulb
PECCSUN3672EN46CS 460V 3Ph SSE Controller Enthalpy	PECCSUN3672EN46MS 460V 3Ph SSE Controller Enthalpy

Note: For factory installed LEED economizer / power exhaust option, part number, FLOWECSUN3672, must be added.

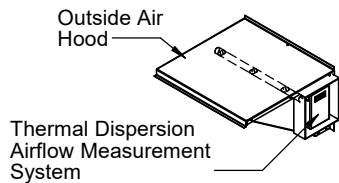
DOWN DISCHARGE



For units with SSE controller

LEED ECONOMIZER / POWER EXHAUST OPTION

- ProVent P/N: FLOWECSUN3672
- Outside air measurement for dilution utilizing thermal dispersion technology and ASHRAE 62.1 compliant. Provides LEED credit by supplying feedback on ventilation system performance ensuring that the ventilation system maintains design requirements.
- Factory installed onto economizer/power exhaust standard.
- Provides analog outputs for BMS, visual or audible alert, and generates an alarm when conditions vary by 10% or more of set point.



3847 WABASH DR.
MIRA LOMA, CA 91752

PHONE (951) 685-1101
FAX (619) 872-9799

SUBMITTED TO: _____
COMPANY: _____
JOB NAME: _____
EQUIPMENT: _____
NOTES: _____

FORM NO:
PE-37

DATE:
12/12/2024

PART NUMBER:
PECCSUN3672_S SERIES

REV:
3

DRAWN BY:
CNG

FEATURES

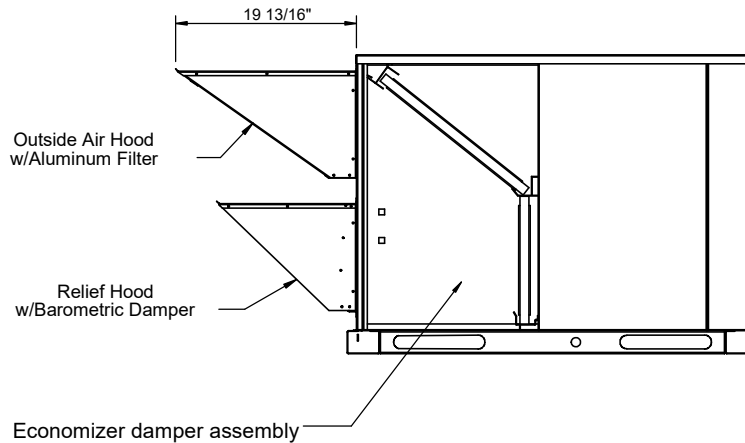
- CA Title 24 Compliant.
- Direct coupled style actuator standard.
- Stainless steel damper side seals.
- **AMCA certified CD-60 Airfoil dampers blades.**
- **Meets leakage rate as required by ASHRAE 90.1.**
- External linkage system.
- Mechanically secured outside air intake filter.
- Capable of introducing up to 100% outdoor air.
- Metal Filter 19" x 16-1/16" x 7/8" (exact) included

FEATURES (When Ordered With Control Options)

- Controls are FDD Compliant.
- Fully modulating damper controls with enthalpy, dry bulb and differential temperature sensor options.
- Selectable economizer changeover temperature set point.
- Requires part number 6210-0046 for Dual Enthalpy.
- CO2 controller standard.
Wall or duct mounted CO2 sensor provided as option:
CO2WM - Wall Mount
CO2DM - Duct Mount

CONVERTIBLE ECONOMIZER WITH BAROMETRIC RELIEF FOR YORK UNITS

**ZR, XN, XP, WN 036-060
ZE, ZF, KE 036-072**



PROVENT P/N **Wt.**

ECOCSUN3672DB
(Fully Modulating Dry Bulb)

ECOCSUN3672EN
(Fully Modulating Enthalpy)

ECOCSUN3672AC
(Actuator Only)

ECOCSUN3672DBS
(SSE Controller Dry Bulb)

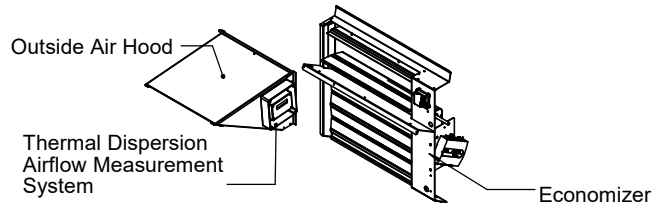
ECOCSUN3672ENS
(SSE Controller Enthalpy)

48 lb.

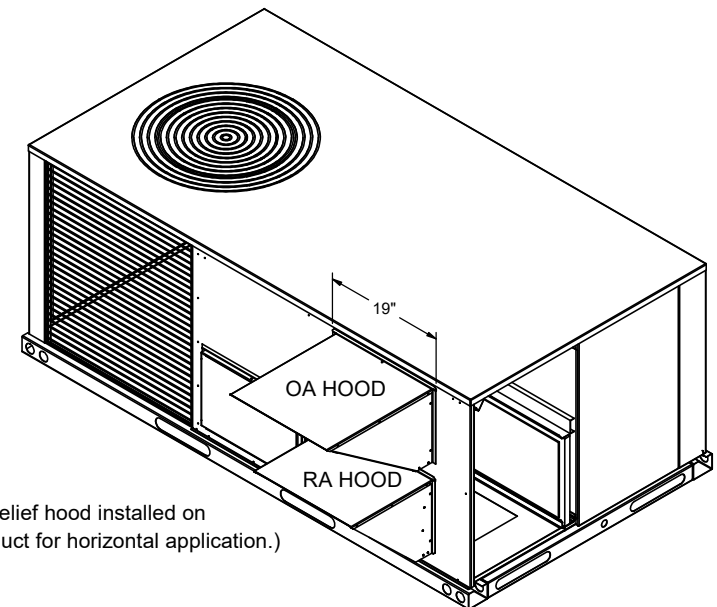
Note: For factory LEED economizer option, part number FLOWECSUN3672 must be added.

LEED ECONOMIZER OPTION

- ProVent P/N: FLOWECSUN3672
- Outside air measurement for dilution utilizing thermal dispersion technology and ASHRAE 62.1 compliant. Provides LEED credit by supplying feedback on ventilation system performance ensuring that the ventilation system maintains design requirements.
- Factory installed onto economizer standard.
- Provides analog outputs for BMS, visual or audible alert, and generates an alarm when conditions vary by 10% or more of set point.



Only Ruskin Company Model CD-60 is AMCA Certified



**3847 WABASH DR.
MIRA LOMA, CA 91725**

**PHONE (951) 685-1101
FAX (619) 872-9799**

SUBMITTED TO: _____

COMPANY: _____

JOB NAME: _____

EQUIPMENT: _____

NOTES: _____

FORM NO:

ECO-185

DATE:

12/12/2024

PART NUMBER:

ECOCSUN3672 Series

REV:

12

DRAWN BY:

CNG