

FEATURES

- Includes fully modulating economizer. (See Form ECO-184 for Economizer Specs).
- CO2 controller standard on economizer. Space or duct mounted CO2 sensor provided as option:
 - CO2WM - Wall Mount With LED
 - CO2DM - Duct Mount
- LEED economizer option.
- Access for motor, blower, and blower drives.
- Adjustable motor sheave.
- Motor with automatic internal thermal protection.
- Modulating option includes fully programmable (factory set) variable frequency drive controlled by a differential pressure transducer designed to continuously monitor space pressure.

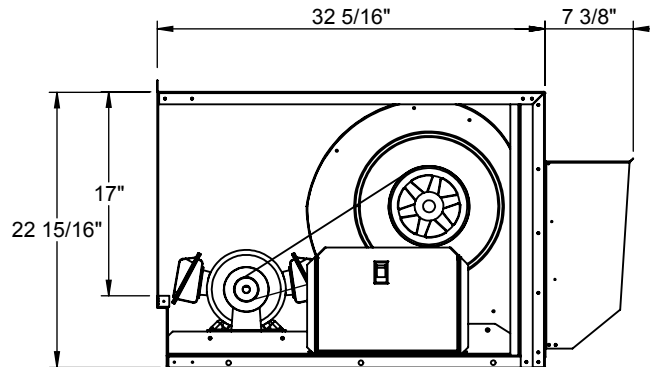
DOWN DISCHARGE CENTRIFUGAL POWER EXHAUST AND ECONOMIZER FOR SIMPLICITY LITE YORK UNITS

ZH/ZF/ZR 102-150; ZJ/XP/ZT/ZB 078-150

VOLTAGE	External Static (in. W.G)				FLA	Hp	Wt
	0.1	0.2	0.3	0.4			
230V/3Ph	4,200 cfm	4,000 cfm	3,900 cfm	3,800 cfm	5.6	2	220 Lbs. (Includes Economizer)
460V/3Ph					2.8		

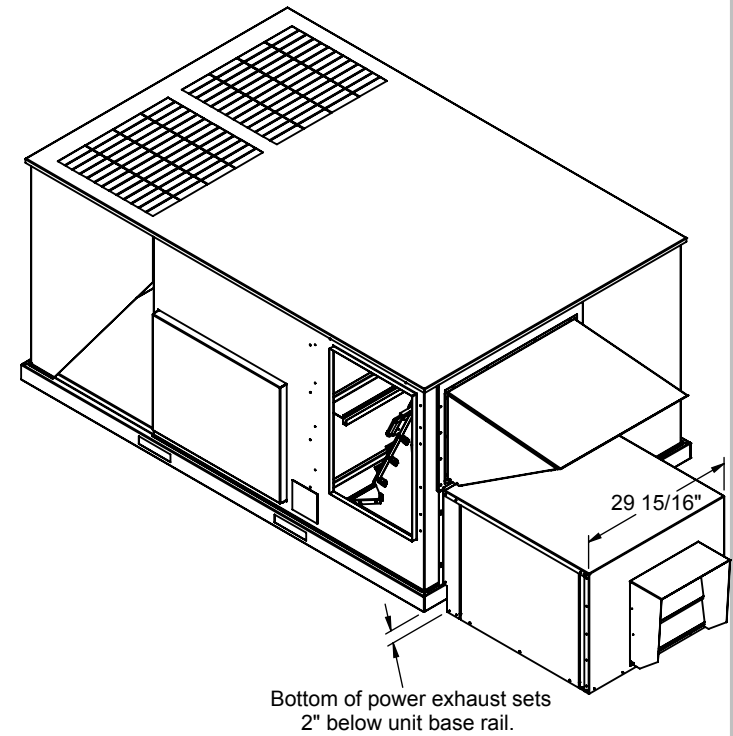
PLEASE NOTE:

1. Return air duct, dampers, return air grills are specific for each unit.
2. For proper electrical wire sizing, Provent power exhaust full load amps need to be added to equation.



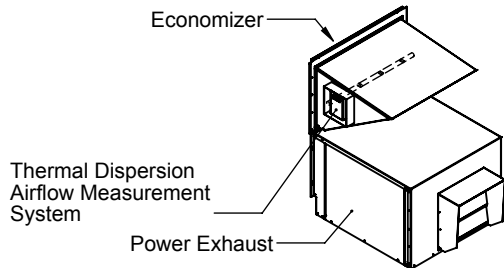
ProVent P/N	
CONSTANT VOLUME	MODULATING
PEDCPRDLCDB25C 208/230V 3Ph Selectable Dry Bulb	PEDCPRDLCDB25M 208/230V 3Ph Selectable Dry Bulb
PEDCPRDLCEN25C 208/230V 3Ph Enthalpy	PEDCPRDLCEN25M 208/230V 3Ph Enthalpy
PEDCPRDLCDB46C 460V 3Ph Selectable Dry Bulb	PEDCPRDLCDB46M 460V 3Ph Selectable Dry Bulb
PEDCPRDLCEN46C 460V 3Ph Enthalpy	PEDCPRDLCEN46M 460V 3Ph Enthalpy

Note: For factory installed LEED economizer / power exhaust option, part number, FLOWECPRD3715, must be added.



LEED ECONOMIZER / POWER EXHAUST OPTION

- ProVent P/N: FLOWECPRD3715
- Outside air measurement for dilution utilizing thermal dispersion technology and ASHRAE 62.1 compliant. Provides LEED credit by supplying feedback on ventilation system performance ensuring that the ventilation system maintains design requirements.
- Factory installed onto economizer/power exhaust standard.
- Provides analog outputs for BMS, visual or audible alert, and generates an alarm when conditions vary by 10% or more of set point.



Only Ruskin Company Model CD-60 is AMCA Certified



3847 WABASH DR.
MIRA LOMA, CA 91752

PHONE (951) 685-1101
FAX (619) 872-9799

SUBMITTED TO: _____
 COMPANY: _____
 JOB NAME: _____
 EQUIPMENT: _____
 NOTES: _____

FORM NO:
PE-35

PART NUMBER:
PEDCPRDLC SERIES

DATE:
10/27/2016

REV:
M

DRAWN BY:
CNG

FEATURES

- CA Title 24 and FDD Compliant.
- Direct coupled style actuator standard.
- Stainless steel damper side seals.
- **AMCA certified CD-60 Airfoil dampers blades.**
- **Meets leakage rate as required by ASHRAE 90.1.**
- External linkage system.
- Mechanically secured outside air intake filter.
- Metal Filter 25-1/2" x 26-3/8" x 7/8" (exact) included

FEATURES (When Ordered With Control Options)

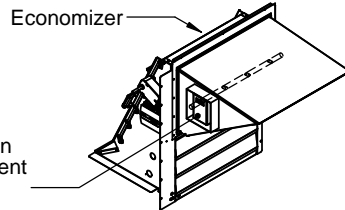
- Fully modulating damper controls with enthalpy, dry bulb and differential temperature sensor options.
- Selectable economizer changeover temperature set point.
- Requires part number 2ECO402 for Dual Enthalpy.
- CO2 controller standard.

Wall or duct mounted CO2 sensor provided as option:

- CO2WM - Wall Mount
- CO2DM - Duct Mount

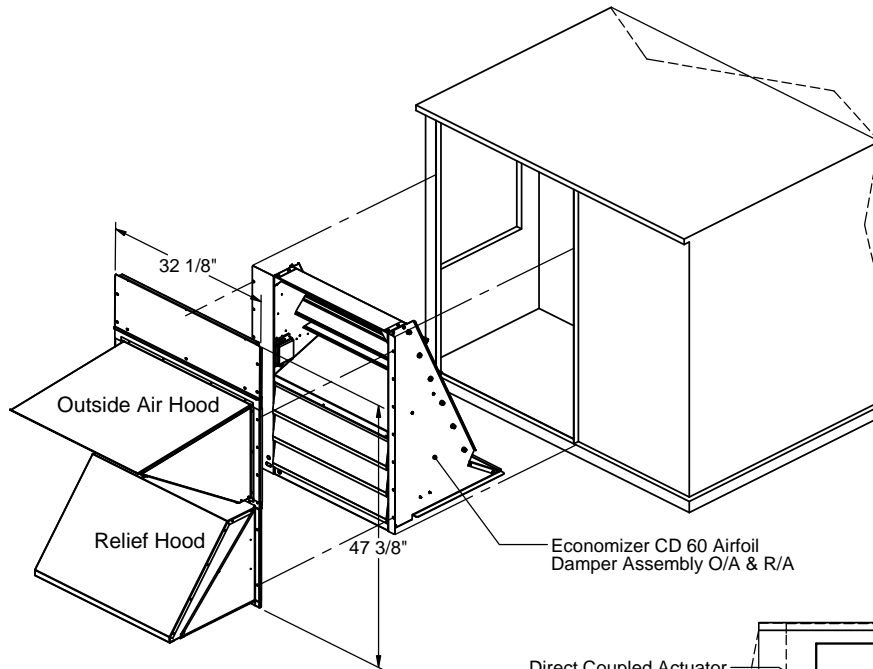
LEED ECONOMIZER OPTION

- ProVent P/N: FLOWECPRD3715
- Outside air measurement for dilution utilizing thermal dispersion technology and ASHRAE 62.1 2007 compliant. Provides LEED credit by supplying feedback on ventilation system performance ensuring that the ventilation system maintains design requirements.
- Factory installed onto economizer standard.
- Provides analog outputs for BMS, visual or audible alert, and generates an alarm when conditions vary by 10% or more of set point.

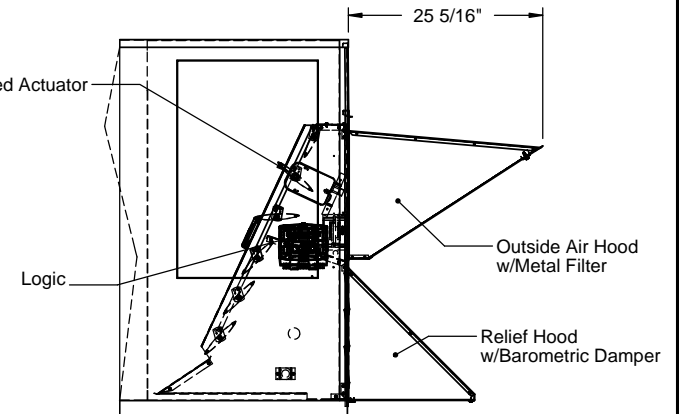


DOWN DISCHARGE ECONOMIZER WITH BAROMETRIC RELIEF FOR YORK UNITS

**ZT/ZR/ZH/ZJ 037, 049, 061
ZF/ZH/ZJ/ZR/XP/DH/DM/DF/DR/BP 078-150: DJ 150**



Only Ruskin Company Model CD-60 is AMCA Certified



PROVENT P/N	Wt.
ECODPRD3715DBJ (Fully Modulating Dry Bulb)	90 Lb.
ECODPRD3715ENJ (Fully Modulating Enthalpy)	
ECODPRD3715AC (Actuator Only)	
ECODPRD3715DBS (SSE Controller Dry Bulb)	
ECODPRD3715ENS (SSE Controller Enthalpy)	
Note: For factory installed LEED economizer option, part number FLOWECPRD3715 must be added.	



3847 WABASH DR.
MIRA LOMA, CA 91725

PHONE (951) 685-1101
FAX (619) 872-9799

SUBMITTED TO: _____
COMPANY: _____
JOB NAME: _____
EQUIPMENT: _____
NOTES: _____

FORM NO:
ECO-184

DATE:
6/22/2016

PART NUMBER:
ECODPRD3715 Series

REV:
11

DRAWN BY:
CNG