

FEATURES

- Access for motor, blower, and blower drives.
- Adjustable motor sheave.
- Motor with automatic internal thermal protection.
- Modulating option includes fully programmable (factory set) variable frequency drive controlled by a differential pressure transducer designed to continuously monitor space pressure.
- Constant Volume option includes a contactor to control on/off operation and communicates with the economizer logic module.

DOWN DISCHARGE CENTRIFUGAL POWER EXHAUST FOR SSE YORK UNITS

ZH/ZF/ZR 102-150: ZJ/XP/ZT/ZB/KJ/WP/KT/KB 078-150

| VOLTAGE | External Static (in. W.G) | | | | FLA | Hp | Wt |
|----------|---------------------------|-----------|-----------|-----------|-----|----|----------|
| | 0.1 | 0.2 | 0.3 | 0.4 | | | |
| 230V/3Ph | 4,200 cfm | 4,000 cfm | 3,900 cfm | 3,800 cfm | 5.6 | 2 | 130 Lbs. |
| 460V/3Ph | | | | | 2.8 | | |

PLEASE NOTE:

1. Return air duct, dampers, return air grills are specific for each unit.
2. For proper electrical wire sizing, Provent power exhaust full load amps need to be added to equation.

ProVent P/N

CONSTANT VOLUME

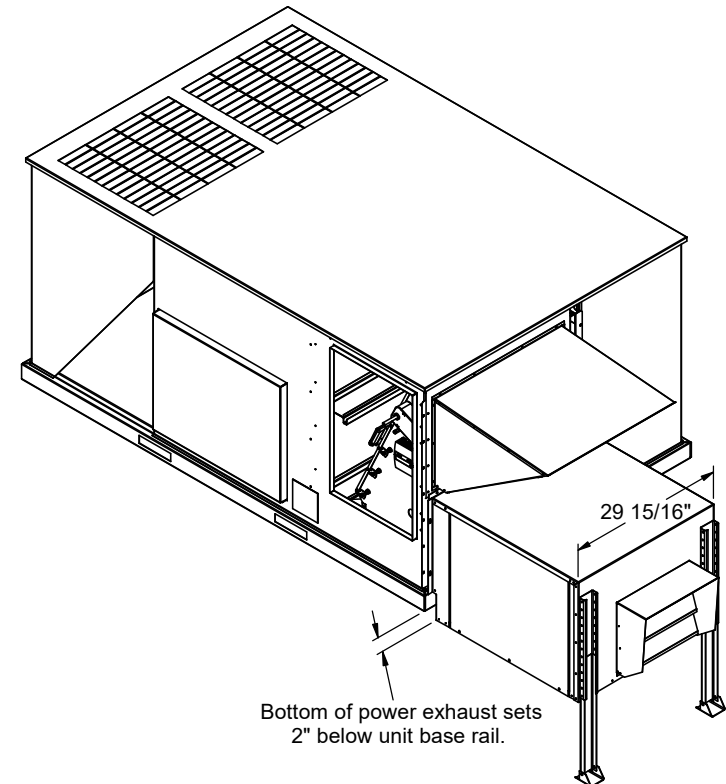
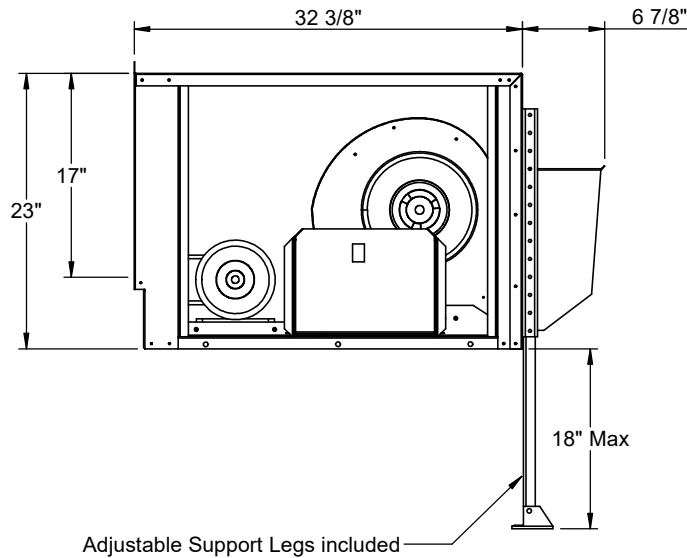
PEDCPRDLC25CS
208/230V 3Ph

PEDCPRDLC46CS
460V 3Ph

MODULATING

PEDCPRDLC25MS
208/230V 3Ph

PEDCPRDLC46MS
460V 3Ph



3847 WABASH DR.
MIRA LOMA, CA 91725

PHONE (951) 685-1101
FAX (619) 872-9799

SUBMITTED TO: _____
 COMPANY: _____
 JOB NAME: _____
 EQUIPMENT: _____
 NOTES: _____

FORM NO:
PE-297

DATE:
1/9/2025

PART NUMBER:
PEDCPRDLC SERIES

REV:
6

DRAWN BY:
CNG