

FEATURES

- Includes fully modulating economizer. (See Form ECO-200 for Economizer Specs).
- CO2 controller standard on economizer. Space or duct mounted CO2 sensor provided as option:
 - CO2WM - Wall Mount With LED
 - CO2DM - Duct Mount
- LEED economizer option.
- Access for motor, blower, and blower drives.
- Adjustable motor sheave.
- Motor with automatic internal thermal protection.
- Modulating option includes fully programmable (factory set) variable frequency drive controlled by a differential pressure transducer designed to continuously monitor space pressure.

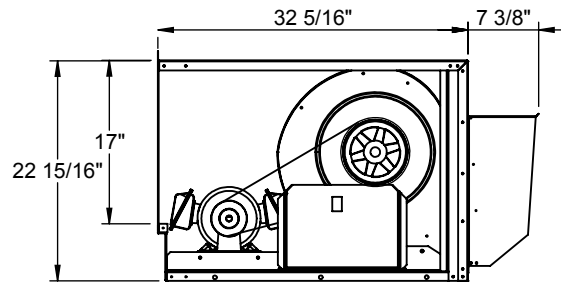
HORIZONTAL DISCHARGE CENTRIFUGAL POWER EXHAUST AND ECONOMIZER FOR SIMPLICITY LITE YORK PRO UNITS

ZT/ZR/ZH/ZJ 037, 049, 061

VOLTAGE	External Static (in. W.G)				FLA	Hp	Wt
	0.1	0.2	0.3	0.4			
230V/3Ph	2,400 cfm	2,200 cfm	2,000 cfm	1,800 cfm	3.2	1	196 Lbs. (Includes Economizer)
460V/3Ph					1.6		

PLEASE NOTE:

1. Return air duct, dampers, return air grills are specific for each unit.
2. For proper electrical wire sizing, Provent power exhaust full load amps need to be added to equation.



NOTE:
If drive components are required on other side (RT) please specify when ordering.



Only Ruskin Company Model CD-60 is AMCA Certified

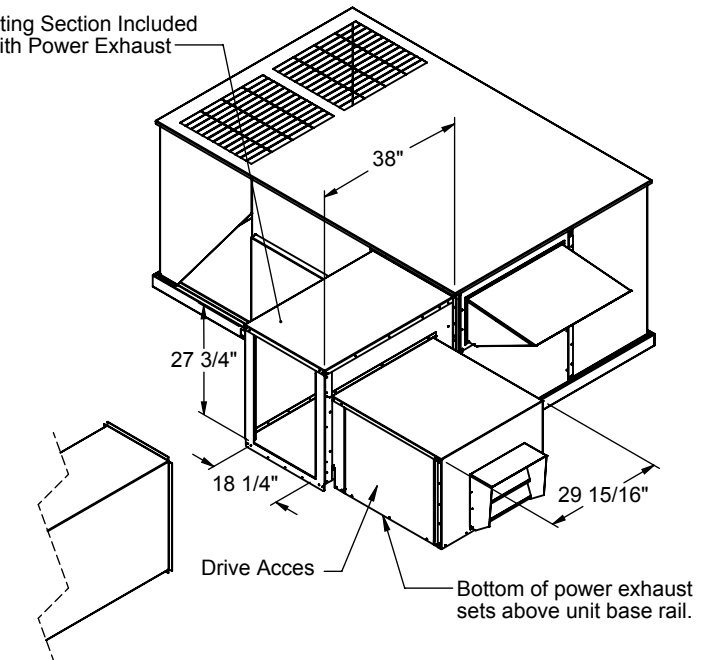
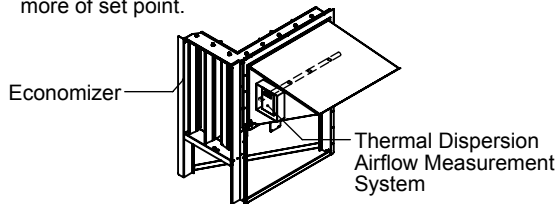
ProVent P/N

CONSTANT VOLUME	MODULATING
PEHCPRD3761DB25C 208/230V 3Ph Selectable Dry Bulb	PEHCPRD3761DB25M 208/230V 3Ph Selectable Dry Bulb
PEHCPRD3761EN25C 208/230V 3Ph Enthalpy	PEHCPRD3761EN25M 208/230V 3Ph Enthalpy
PEHCPRD3761DB46C 460V 3Ph Selectable Dry Bulb	PEHCPRD3761DB46M 460V 3Ph Selectable Dry Bulb
PEHCPRD3761EN46C 460V 3Ph Enthalpy	PEHCPRD3761EN46M 460V 3Ph Enthalpy

Note: For factory installed LEED economizer / power exhaust option, part number, FLOWECPRD3715, must be added.

LEED ECONOMIZER / POWER EXHAUST OPTION

- ProVent P/N: FLOWECPRD3715
- Outside air measurement for dilution utilizing thermal dispersion technology and ASHRAE 62.1 compliant. Provides LEED credit by supplying feedback on ventilation system performance ensuring that the ventilation system maintains design requirements.
- Factory installed onto economizer/power exhaust standard.
- Provides analog outputs for BMS, visual or audible alert, and generates an alarm when conditions vary by 10% or more of set point.



NOTE:
Based on field supporting of duct, P.E. may require additional field support.



3847 WABASH DR.
MIRA LOMA, CA 91725

PHONE (951) 685-1101
FAX (619) 872-9799

SUBMITTED TO: _____
COMPANY: _____
JOB NAME: _____
EQUIPMENT: _____
NOTES: _____

FORM NO:
PE-19

PART NUMBER:
PEHCPRD3761 SERIES

DATE:
9/14/2016

REV:
3

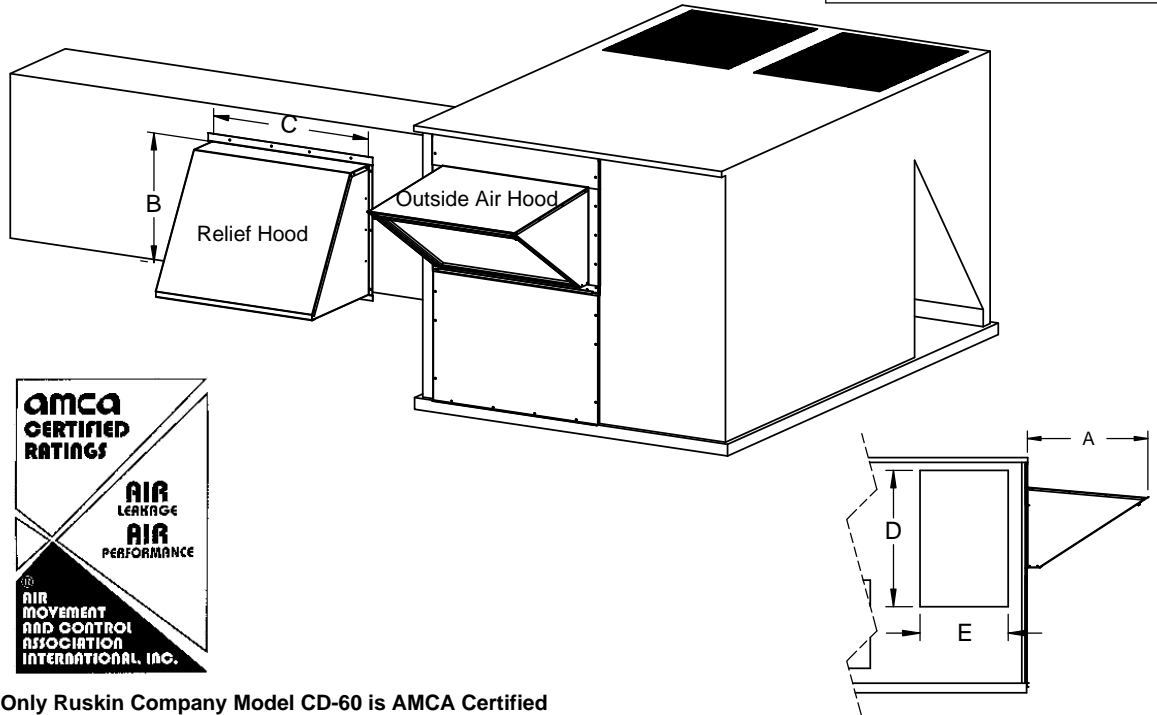
DRAWN BY:
ALL

- FEATURES**
- CA Title 24 Compliant.
 - Direct coupled style actuator standard.
 - Stainless steel damper side seals.
 - AMCA certified CD-60 Airfoil dampers blades.
 - Meets leakage rate as required by ASHRAE 90.1.
 - External linkage system.
 - Mechanically secured outside air intake filter.
 - Capable of introducing up to 100% outdoor air.
 - Metal Filter Included:
25-1/2" x 26-3/8" x 7/8" (exact) for Large cabinet
18-3/8" x 26-3/8" x 7/8" (exact) for Small cabinet
- FEATURES (When Ordered With Control Options)**
- Fully modulating damper controls with enthalpy, dry bulb and differential temperature sensor options.
 - Selectable economizer changeover temperature set point.
 - Requires part number 2ECO402 for Dual Enthalpy.
 - CO2 controller standard.
- Wall or duct mounted CO2 sensor provided as option:
- CO2WM - Wall Mount
 - CO2DM - Duct Mount

HORIZONTAL DISCHARGE ECONOMIZER WITH BAROMETRIC RELIEF FOR YORK UNITS						
ZT/ZR/ZH/ZJ 037, 049, 061 ZF/ZH/ZJ/ZR/XP/DH/DM/DF/DR/BP 078-150: DJ 150						
PROVENT P/N	YORK UNITS	A	B	C	D	E
ECOHPRDSC** (Small Cabinet)	ZT, ZH, ZR, ZJ 037-061 ZF, ZH, ZR 078, 090 DH 078-102 DF, DM 090, 102; BP 090	20 11/16	17 1/16	29 3/4	27 3/4	18 1/16
ECOHPRDLC** (Large Cabinet)	ZF, ZH, ZR 102-150 ZJ, XP 078-150 BP 078, 102-150; DJ 150 DH 120, 150; DF 078, 150 DM 078, 120, 150; DR 090-150	25 5/16	17 1/16	29 3/4	28 1/4	18 1/16

PROVENT P/N	Wt.
ECOHPRDSCDBJ (Fully Modulating Dry Bulb)	76 Lb.
ECOHPRDSCENJ (Fully Modulating Enthalpy)	
ECOHPRDSCDBS (SSE Controller Dry Bulb)	
ECOHPRDSCENS (SSE Controller Enthalpy)	87 Lb.
ECOHPRDLCDBJ (Fully Modulating Dry Bulb)	
ECOHPRDLCENJ (Fully Modulating Enthalpy)	
ECOHPRDLCDBS (SSE Controller Dry Bulb)	
ECOHPRDLCENS (SSE Controller Enthalpy)	

Note: For factory installed LEED economizer option, part number, FLOWECPRD3715, must be added.



- LEED ECONOMIZER OPTION**
- ProVent P/N: FLOWECPRD3715
 - Outside air measurement for dilution utilizing thermal dispersion technology and ASHRAE 62.1 compliant. Provides LEED credit by supplying feedback on ventilation system performance ensuring that the ventilation system maintains design requirements.
 - Factory installed onto economizer standard.
 - Provides analog outputs for BMS, visual or audible alert, and generates an alarm when conditions vary by 10% or more of set point.
-

Only Ruskin Company Model CD-60 is AMCA Certified

	3847 WABASH DR. MIRA LOMA, CA 91725 PHONE (951) 685-1101 FAX (619) 872-9799	SUBMITTED TO: _____ COMPANY: _____ JOB NAME: _____ EQUIPMENT: _____ NOTES: _____	FORM NO: ECO-200 DATE: 2/16/2016	PART NUMBER: ECOHPRD Series REV: 9 DRAWN BY: CNG
--	--	--	---	--