

FEATURES

- Access for motor, blower, and blower drives.
- Adjustable motor sheave.
- Motor with automatic internal thermal protection.
- Modulating option includes fully programmable (factory set) variable frequency drive controlled by a differential pressure transducer designed to continuously monitor space pressure.

CONVERTIBLE DISCHARGE CENTRIFUGAL POWER EXHAUST FOR YORK UNITS

**ZR, XN, XP, WN 036-060
ZE, ZF, KE 036-072**

VOLTAGE	External Static (in. W.G)				FLA	Hp	Wt
	0.1	0.2	0.3	0.4			
208/230V, 1Ph					7.0	1	180 Lbs. (Includes Economizer)
230V, 3Ph	2,400 cfm	2,200 cfm	2,000 cfm	1,800 cfm	3.2		
460V, 3Ph					1.6		

ProVent P/N

CONSTANT VOLUME

PECCSUN367206C
208/230V 1Ph

PECCSUN367225C
208/230V 3Ph

PECCSUN367246C
460V 3Ph

MODULATING

PECCSUN367206M
208/230V 1Ph

PECCSUN367225M
208/230V 3Ph

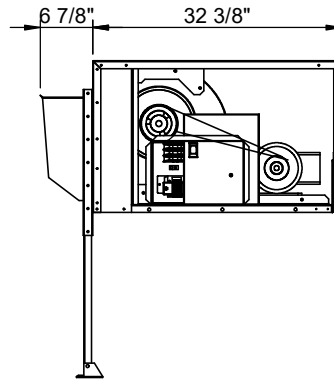
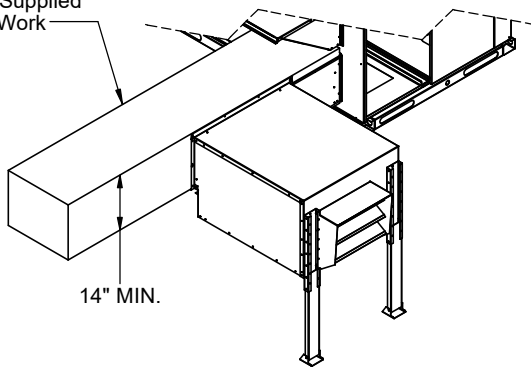
PECCSUN367246M
460V 3Ph

PLEASE NOTE:

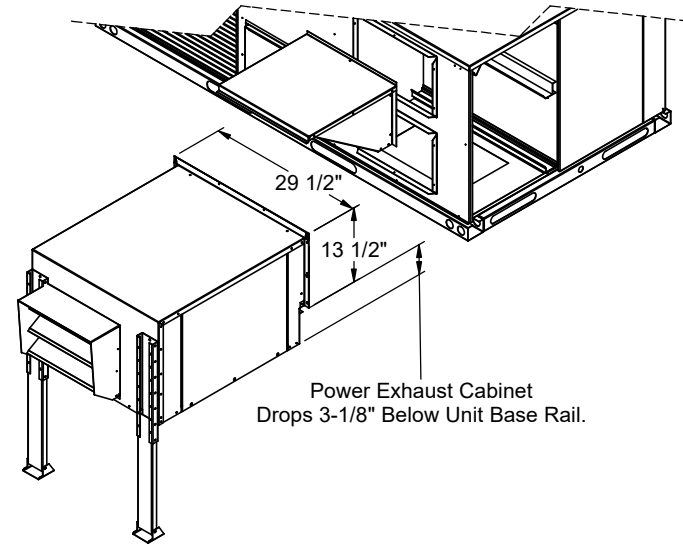
1. Return air duct, dampers, return air grills are specific for each unit.
2. For proper electrical wire sizing, Provent power exhaust full load amps need to be added to equation.

HORIZONTAL DISCHARGE

Field Supplied Duct Work



DOWN DISCHARGE



Power Exhaust Cabinet Drops 3-1/8" Below Unit Base Rail.



3847 WABASH DR.
MIRA LOMA, CA 91752

PHONE (951) 685-1101
FAX (619) 872-9799

SUBMITTED TO: _____
COMPANY: _____
JOB NAME: _____
EQUIPMENT: _____
NOTES: _____

FORM NO:
PE-155

DATE:
12/12/2024

PART NUMBER:
PECCSUN3672 SERIES

REV:
0

DRAWN BY:
CNG