

FEATURES

- Modulating option includes fully programmable (factory set) variable frequency drive controlled by a differential pressure transducer designed to continuously monitor space pressure.
- Access door for motor, blower, and blower drives.
- Adjustable motor sheave.
- Motor with automatic internal thermal protection.

HORIZONTAL DISCHARGE CENTRIFUGAL POWER EXHAUST FOR YORK CORE UNITS

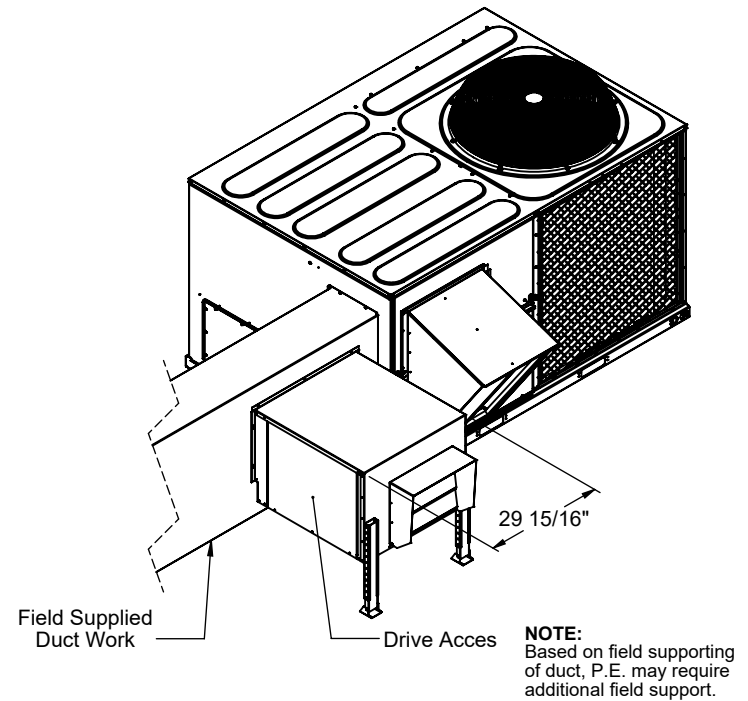
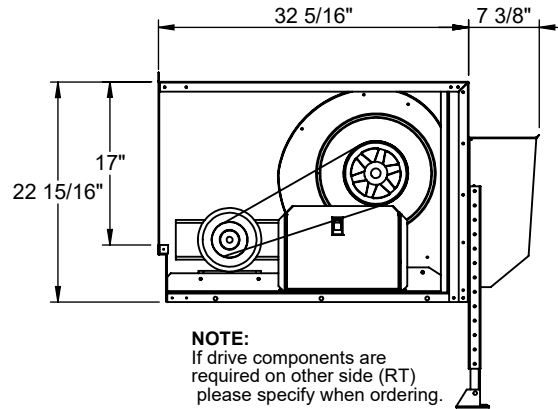
ZX04-06; ZY, XY, XQ, ZL04; ZQ04-05

VOLTAGE	External Static (in. W.G)				FLA	Hp	Wt
	0.1	0.2	0.3	0.4			
230V/3Ph	2,400 cfm	2,200 cfm	2,000 cfm	1,800 cfm	3.2	1	167 Lbs.
460V/3Ph					1.6		
208/230 1Ph-M					5.54		
208/230 1Ph-C					7.25		

ProVent P/N	
CONSTANT VOLUME	MODULATING
PEHCPRSS06C 208/230V 1Ph	PEHCPRSS06M 208/230V 1Ph
PEHCPRSS25C 208/230V 3Ph	PEHCPRSS25M 208/230V 3Ph Enthalpy
PEHCPRSS46C 460V 3Ph	PEHCPRSS46M 460V 3Ph

PLEASE NOTE:

1. Return air duct, dampers, return air grills are specific for each unit.
2. For proper electrical wire sizing, Provent power exhaust full load amps need to be added to equation.



3847 WABASH DRIVE
MIRA LOMA, CA 91725

PHONE (951) 685-1101
FAX (619) 872-9799

SUBMITTED TO: _____
 COMPANY: _____
 JOB NAME: _____
 EQUIPMENT: _____
 NOTES: _____

FORM NO:
PE-141

DATE:
4/21/2023

PART NUMBER:
PEHCPRSS SERIES

REV: M
DRAWN BY: CNG