

FEATURES

- Access for motor, blower, and blower drives.
- Adjustable motor sheave.
- Motor with automatic internal thermal protection.
- Modulating option includes fully programmable (factory set) variable frequency drive controlled by a differential pressure transducer designed to continuously monitor space pressure.
- Includes Blank-Off Panel for Factory economizer

DOWN DISCHARGE CENTRIFUGAL POWER EXHAUST FOR YORK PRO UNITS:

ZH, ZF, ZR 102-150; ZJ, XP, ZT, ZB 078-150

| VOLTAGE | External Static (in. W.G) | | | | FLA | Hp | Wt |
|----------|---------------------------|-----------|-----------|-----------|-----|----|----------|
| | 0.1 | 0.2 | 0.3 | 0.4 | | | |
| 230V/3Ph | 4,200 cfm | 4,000 cfm | 3,900 cfm | 3,800 cfm | 5.6 | 2 | 130 Lbs. |
| 460V/3Ph | | | | | 2.8 | | |

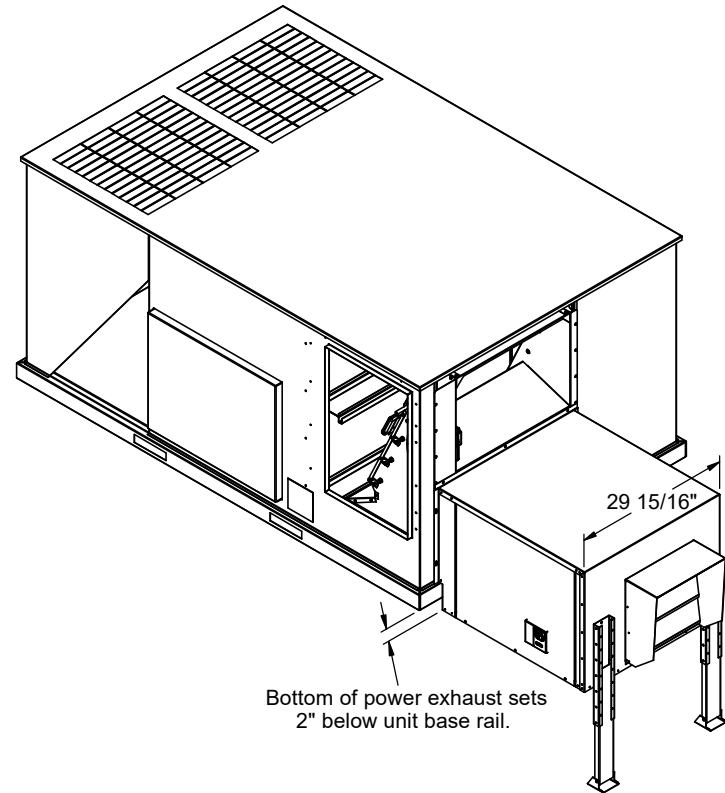
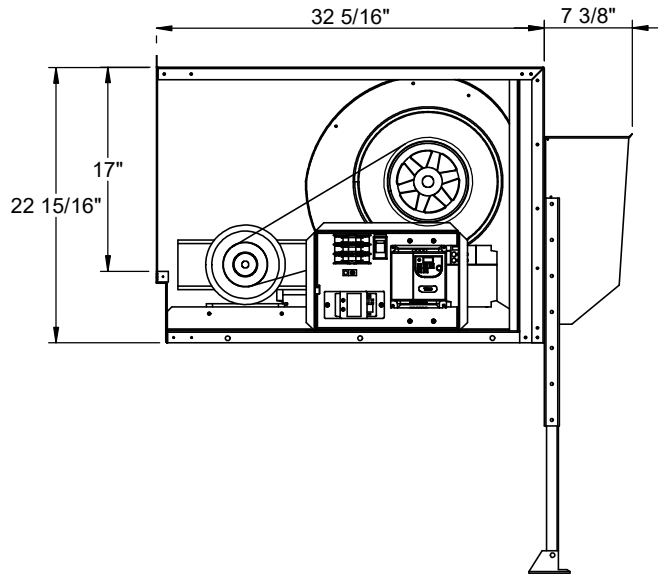
PLEASE NOTE:

1. Return air duct, dampers, return air grills are specific for each unit.
2. For proper electrical wire sizing, Provent power exhaust full load amps need to be added to equation.

ProVent P/N

| CONSTANT VOLUME | MODULATING |
|--------------------------------------|--------------------------------------|
| PEDCPRDLC25CS 208/230V 3Ph | PEDCPRDLC25MS 208/230V 3Ph |
| PEDCPRDLC46CS 460V 3Ph | PEDCPRDLC46MS 460V 3Ph |

For all York PRO units with Simplicity Lite and Simplicity Elite controllers



3847 WABASH DR.
MIRA LOMA, CA 91725

PHONE (951) 685-1101
FAX (619) 872-9799

SUBMITTED TO: _____
 COMPANY: _____
 JOB NAME: _____
 EQUIPMENT: _____
 NOTES: _____

FORM NO:
PE-125

DATE:
5/14/2024

PART NUMBER:
PEDCPRDLCS SERIES

REV:
M1

DRAWN BY:
CNG