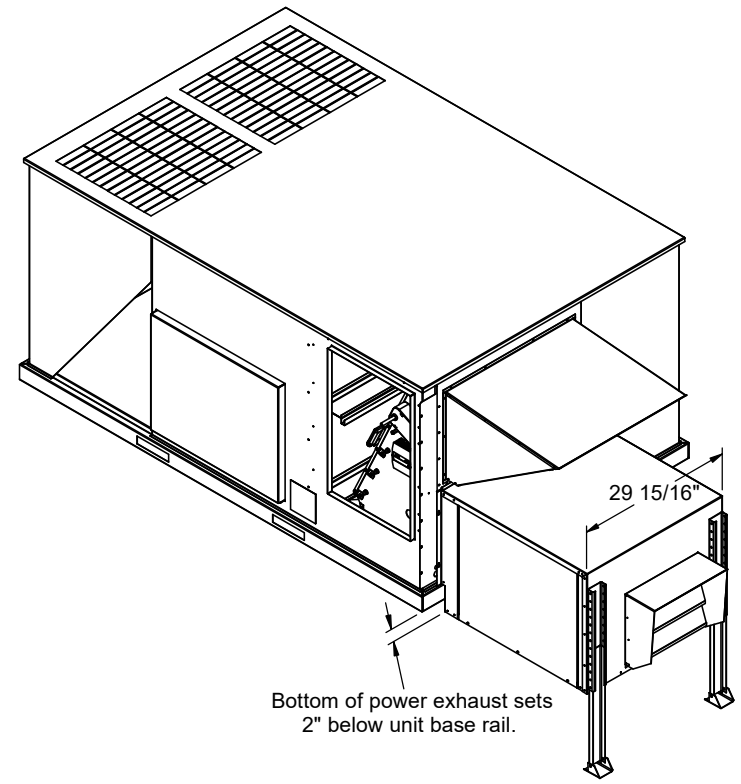
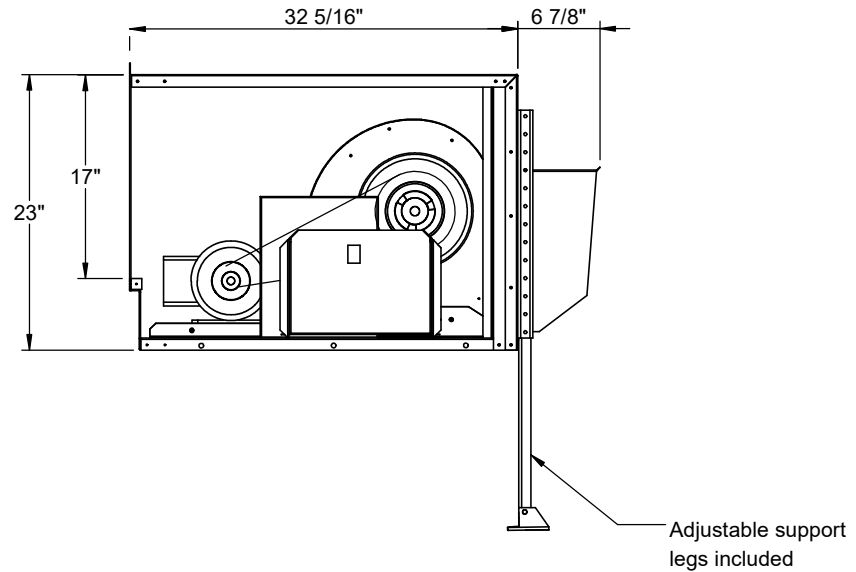


<p><b>FEATURES</b></p> <ul style="list-style-type: none"> <li>• Access for motor, blower, and blower drives.</li> <li>• Adjustable motor sheave.</li> <li>• Motor with automatic internal thermal protection.</li> <li>• Modulating option includes fully programmable (factory set) variable frequency drive controlled by a differential pressure transducer designed to continuously monitor space pressure.</li> <li>• Includes Blank-Off Panel for Factory economizer.</li> </ul>	<b>DOWN DISCHARGE CENTRIFUGAL POWER EXHAUST FOR YORK PRO UNITS</b>					ProVent P/N			
	<b>ZH, ZF, ZR 078-090</b>					<b>CONSTANT VOLUME</b>		<b>MODULATING</b>	
						<b>PEDCPRDSC25CS</b> 208/230V 3Ph		<b>PEDCPRDSC25MS</b> 208/230V 3Ph	
						<b>PEDCPRDSC46CS</b> 460V 3Ph		<b>PEDCPRDSC46MS</b> 460V 3Ph	
<b>VOLTAGE</b>		<b>External Static (in. W.G)</b>				<b>FLA</b>	<b>Hp</b>	<b>Wt</b>	
		<b>0.1</b>	<b>0.2</b>	<b>0.3</b>	<b>0.4</b>				
230V/3Ph		3,300 cfm	3,090 cfm	2,930 cfm	2,685 cfm	3.2	1	120 Lbs.	
460V/3Ph						1.6			
<b>For all York PRO units with Simplicity Lite and Simplicity Elite controllers</b>									

**PLEASE NOTE:**

1. Return air duct, dampers, return air grills are specific for each unit.
2. For proper electrical wire sizing, Provent power exhaust full load amps need to be added to equation.



	<p><b>3847 WABASH DR.</b> <b>MIRA LOMA, CA 91725</b></p> <p><b>PHONE (951) 685-1101</b> <b>FAX (619) 872-9799</b></p>	<p>SUBMITTED TO: _____</p>		<p>FORM NO:</p> <p>PE-124</p>	<p>PART NUMBER:</p> <p>PEDCPRDSC SERIES</p>	
		<p>COMPANY: _____</p> <p>JOB NAME: _____</p> <p>EQUIPMENT: _____</p> <p>NOTES: _____</p>		<p>DATE:</p> <p>5/8/2024</p>	<p>REV:</p> <p>-</p>	<p>DRAWN BY:</p> <p>CNG</p>