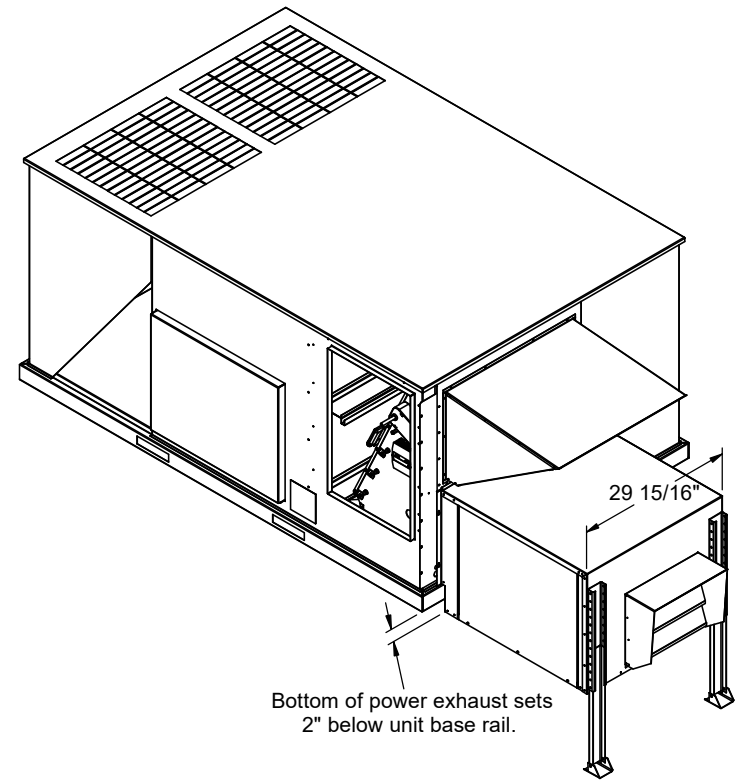
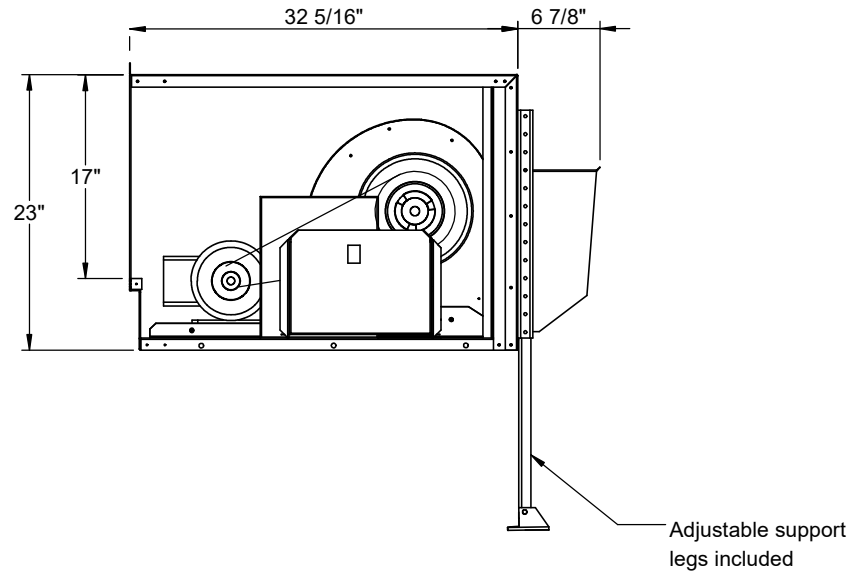


<p>FEATURES</p> <ul style="list-style-type: none"> • Access for motor, blower, and blower drives. • Adjustable motor sheave. • Motor with automatic internal thermal protection. • Modulating option includes fully programmable (factory set) variable frequency drive controlled by a differential pressure transducer designed to continuously monitor space pressure. • Includes Blank-Off Panel for Factory economizer. 	<p>DOWN DISCHARGE CENTRIFUGAL POWER EXHAUST FOR YORK PRO UNITS</p>					<p>ProVent P/N</p>			
	<p>ZT/ZH/ZJ/ZR/KT/KJ 037, 049, 061</p>					<p>CONSTANT VOLUME</p>	<p>MODULATING</p>		
	<p>VOLTAGE</p>					<p>External Static (in. W.G)</p>	<p>FLA</p>	<p>Hp</p>	<p>Wt</p>
						<p>0.1 0.2 0.3 0.4</p>			
<p>230V/3Ph</p>					<p>2,400 cfm 2,200 cfm 2,000 cfm 1,800 cfm</p>	<p>3.2</p>	<p>1</p>	<p>90 Lbs.</p>	
<p>460V/3Ph</p>						<p>1.6</p>			
					<p>For all York PRO units with Simplicity Lite and Simplicity Elite controllers</p>				

PLEASE NOTE:

1. Return air duct, dampers, return air grills are specific for each unit.
2. For proper electrical wire sizing, Provent power exhaust full load amps need to be added to equation.



	<p>3847 WABASH DR. MIRA LOMA, CA 91752</p>	<p>SUBMITTED TO: _____</p>	<p>FORM NO: PE-123</p>	<p>PART NUMBER: PEDCPRD3761S SERIES</p>
	<p>PHONE (951) 685-1101 FAX (619) 872-9799</p>	<p>COMPANY: _____</p> <p>JOB NAME: _____</p> <p>EQUIPMENT: _____</p> <p>NOTES: _____</p>	<p>DATE: 5/8/2024</p>	<p>REV: M-0</p>