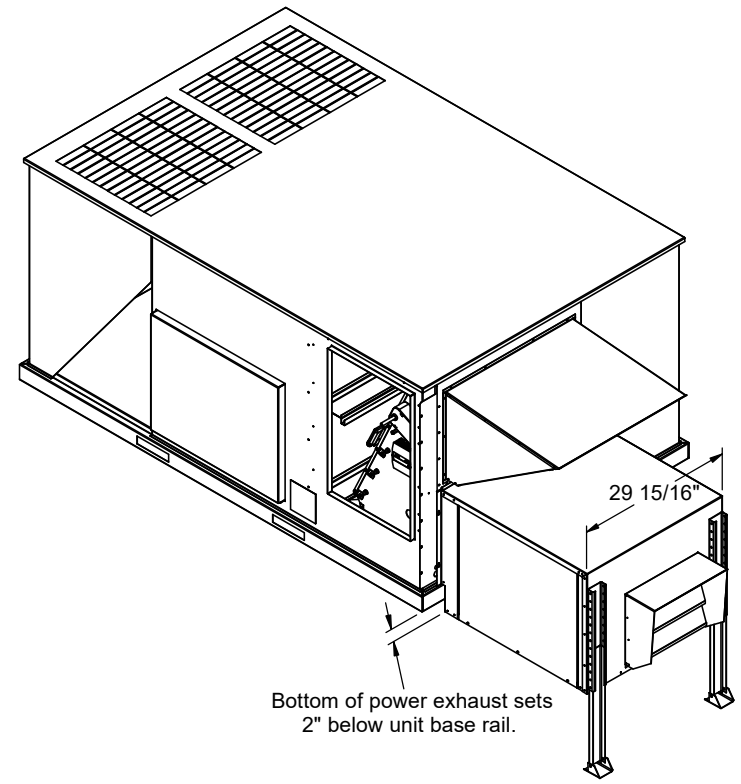
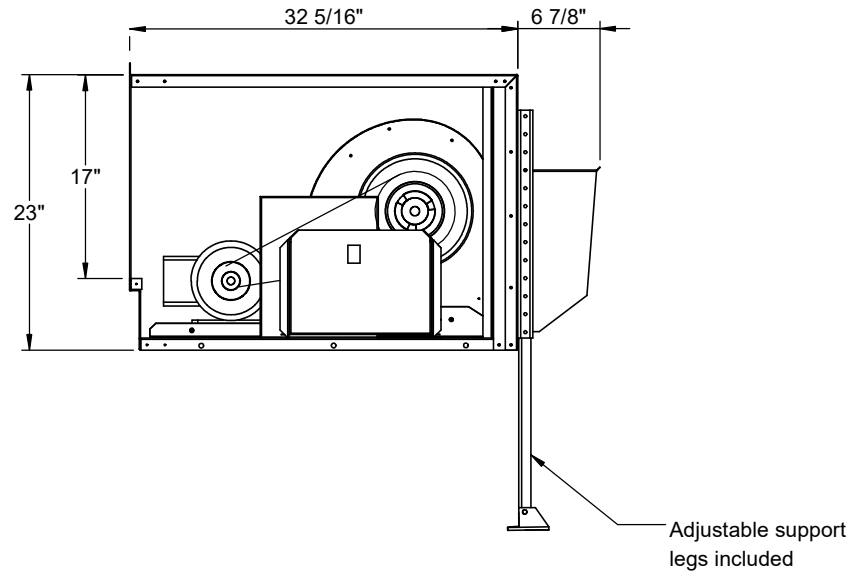


<p><b>FEATURES</b></p> <ul style="list-style-type: none"> <li>• Access for motor, blower, and blower drives.</li> <li>• Adjustable motor sheave.</li> <li>• Motor with automatic internal thermal protection.</li> <li>• Modulating option includes fully programmable (factory set) variable frequency drive controlled by a differential pressure transducer designed to continuously monitor space pressure.</li> <li>• Includes Blank-Off Panel for Factory economizer.</li> </ul>	<b>DOWN DISCHARGE CENTRIFUGAL POWER EXHAUST FOR YORK PRO UNITS</b>					ProVent P/N			
	<b>ZT/ZH/ZJ/ZR 037, 049, 061</b>					<b>CONSTANT VOLUME</b>		<b>MODULATING</b>	
						<b>PEDCPRD376125CS</b> 208/230V 3Ph		<b>PEDCPRD376125MS</b> 208/230V 3Ph	
						<b>PEDCPRD376146CS</b> 460V 3Ph		<b>PEDCPRD376146MS</b> 460V 3Ph	
<b>VOLTAGE</b>		<b>External Static (in. W.G)</b>				<b>FLA</b>	<b>Hp</b>	<b>Wt</b>	
		<b>0.1</b>	<b>0.2</b>	<b>0.3</b>	<b>0.4</b>				
230V/3Ph		2,400 cfm	2,200 cfm	2,000 cfm	1,800 cfm	3.2	1	90 Lbs.	
460V/3Ph						1.6			
<b>For all York PRO units with Simplicity Lite and Simplicity Elite controllers</b>									

**PLEASE NOTE:**

1. Return air duct, dampers, return air grills are specific for each unit.
2. For proper electrical wire sizing, Provent power exhaust full load amps need to be added to equation.



	<b>3847 WABASH DR.</b> <b>MIRA LOMA, CA 91725</b>	<b>SUBMITTED TO:</b> _____ <b>COMPANY:</b> _____ <b>JOB NAME:</b> _____ <b>EQUIPMENT:</b> _____ <b>NOTES:</b> _____	<b>FORM NO:</b> PE-123	<b>PART NUMBER:</b> PEDCPRD3761S SERIES	
	<b>PHONE (951) 685-1101</b> <b>FAX (619) 872-9799</b>		<b>DATE:</b> 5/8/2024	<b>REV:</b> -	<b>DRAWN BY:</b> CNG