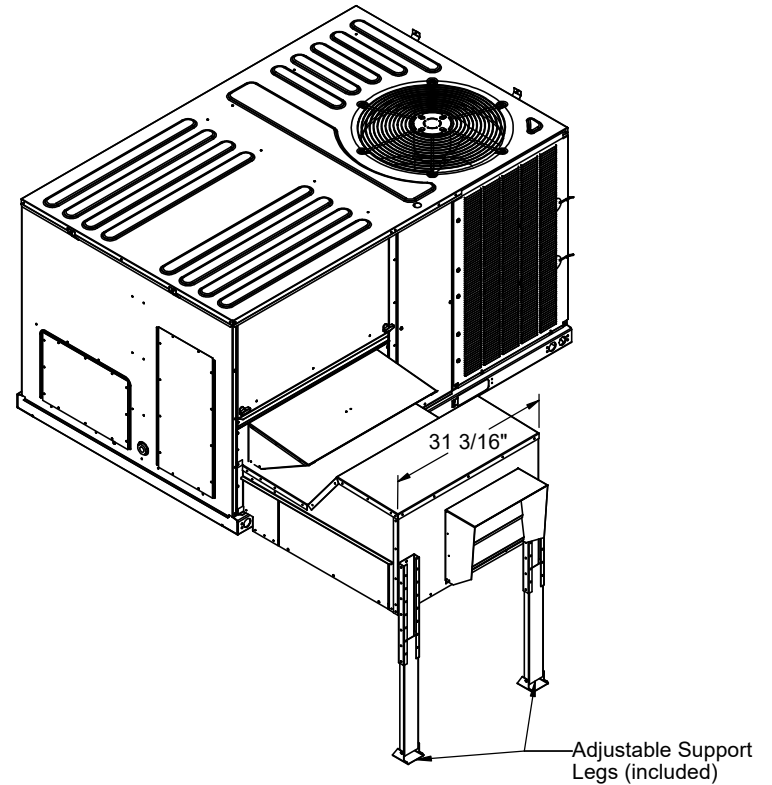
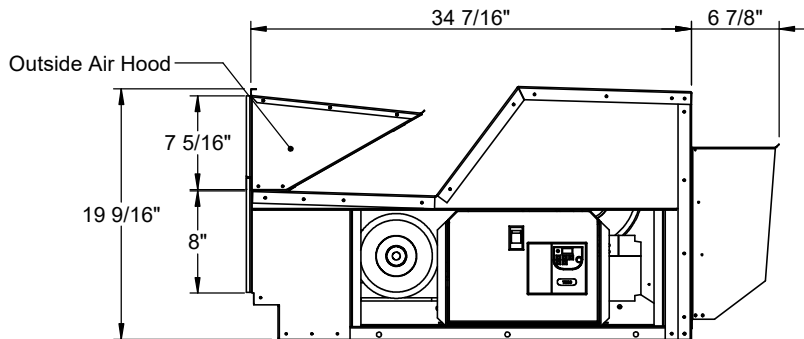


FEATURES <ul style="list-style-type: none"> Includes new Outside Air hood. Access for motor, blower, and blower drives. Adjustable motor sheave. Motor with automatic internal thermal protection. Modulating option includes fully programmable (factory set) variable frequency drive controlled by a differential pressure transducer designed to continuously monitor space pressure. 	DOWN DISCHARGE CENTRIFUGAL POWER EXHAUST FOR YORK CORE UNITS ZX,KX04-07; ZY,KY,XY,WY,ZQ,KQ,XQ,WQ,ZL,KL04-06; XX,WX,ZX,KXA7						ProVent P/N			
							CONSTANT VOLUME	MODULATING		
	VOLTAGE	External Static (in. W.G)				FLA	Hp	Est. Wt	PEDCPRS06C 208/230V 1Ph	PEDCPRS06M 208/230V 1Ph
230V/3Ph					3.2			117 Lbs.	PEDCPRS25C 208/230V 3Ph PEDCPRS46C 460V 3Ph	PEDCPRS25M 208/230V 3Ph PEDCPRS46M 460V 3Ph
460V/3Ph					1.6					
208/230 1Ph-M	2,100 cfm	2,000 cfm	1,900 cfm	1,800 cfm	5.54	1				
208/230 1Ph-c					7.25					

PLEASE NOTE:

- Return air duct, dampers, return air grills are specific for each unit.
- For proper electrical wire sizing, Provent power exhaust full load amps need to be added to equation.



Note:
Please contact ProVent if RTU has a hinged filter access option.



3847 WABASH DRIVE
MIRA LOMA, CA 91752

PHONE (951) 685-1101
FAX (619) 872-9799

SUBMITTED TO: _____
 COMPANY: _____
 JOB NAME: _____
 EQUIPMENT: _____
 NOTES: _____

FORM NO:
PE-115

DATE:
11/6/2024

PART NUMBER:
PEDCPRS SERIES

REV:
3M

DRAWN BY:
CNG