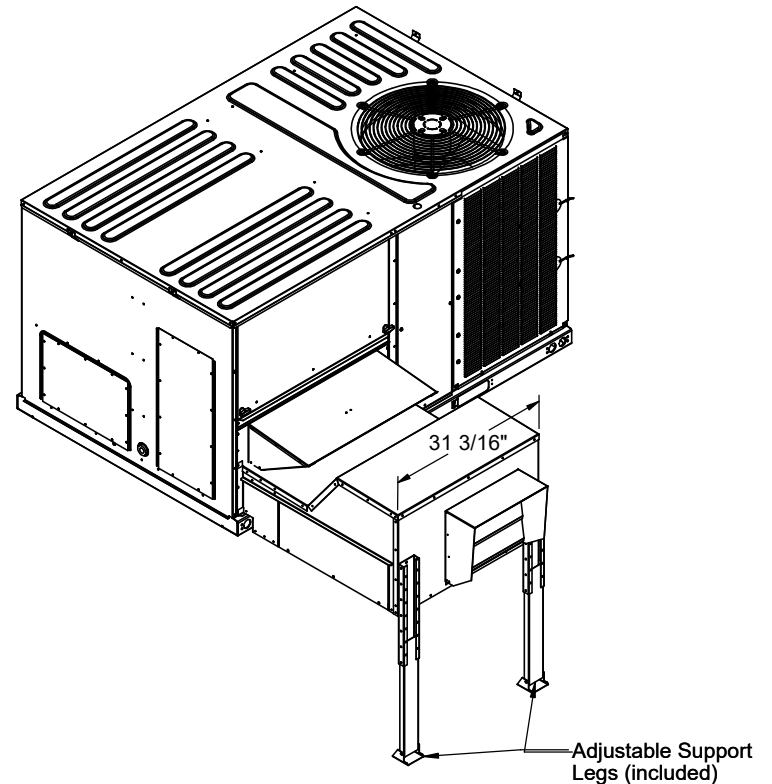
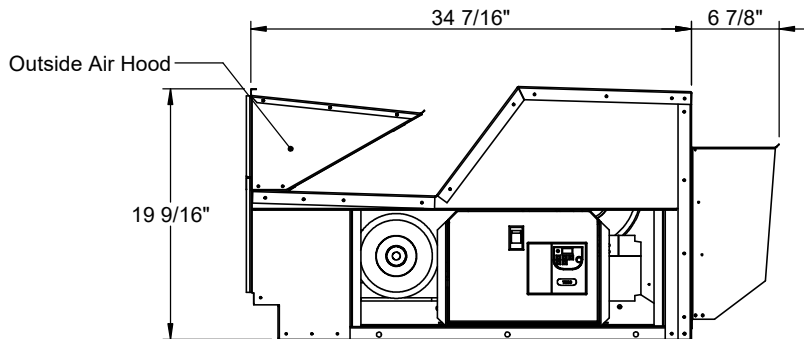



FEATURES	DOWN DISCHARGE CENTRIFUGAL POWER EXHAUST FOR YORK CORE UNITS							ProVent P/N		
	ZX04-07; ZY, XY, ZQ, XQ, ZL04-06; XX, ZXA7							CONSTANT VOLUME	MODULATING	
	VOLTAGE	External Static (in. W.G)				FLA	Hp	Est. Wt		
<ul style="list-style-type: none"> Includes new Outside Air hood. Access for motor, blower, and blower drives. Adjustable motor sheave. Motor with automatic internal thermal protection. Modulating option includes fully programmable (factory set) variable frequency drive controlled by a differential pressure transducer designed to continuously monitor space pressure. 	0.1	0.2	0.3	0.4						
	230V/3Ph					3.2		117 Lbs.	PEDCPRS06C 208/230V 1Ph	PEDCPRS06M 208/230V 1Ph
	460V/3Ph					1.6			PEDCPRS25C 208/230V 3Ph	PEDCPRS25M 208/230V 3Ph
	208/230 1Ph-M	2,100 cfm	2,000 cfm	1,900 cfm	1,800 cfm	5.54	1		PEDCPRS46C 460V 3Ph	PEDCPRS46M 460V 3Ph
	208/230 1Ph-c					7.25				

PLEASE NOTE:

- Return air duct, dampers, return air grills are specific for each unit.
- For proper electrical wire sizing, Provent power exhaust full load amps need to be added to equation.



Note:
Please contact ProVent if RTU has a hinged filter access option.

	3847 WABASH DRIVE MIRA LOMA, CA 91752	SUBMITTED TO: _____ COMPANY: _____ JOB NAME: _____ EQUIPMENT: _____ NOTES: _____	FORM NO: PE-115	PART NUMBER: PEDCPRS SERIES
	PHONE (951) 685-1101 FAX (619) 872-9799		DATE: 5/2/2024	REV: 2