

**FEATURES**

- Includes fully modulating economizer. (See Form ECO-185 for Economizer Specs).
- CO2 controller standard on economizer. Space or duct mounted CO2 sensor provided as option:
  - CO2WM - Wall Mount With LED
  - CO2DM - Duct Mount
- LEED economizer option.
- Access for motor, blower, and blower drives.
- Adjustable motor sheave.
- Motor with automatic internal thermal protection.
- Modulating option includes fully programmable (factory set) variable frequency drive controlled by a differential pressure transducer designed to continuously monitor space pressure.

**DOWN OR HORIZONTAL DISCHARGE  
CENTRIFUGAL POWER EXHAUST ECONOMIZER  
FOR YORK SIMPLICITY LITE UNITS**

**ZE, ZR, XN, XP 036-060  
ZF 036-072**

VOLTAGE	External Static (in. W.G)				FLA	Hp	Wt
	0.1	0.2	0.3	0.4			
208/230V, 1Ph					7.0	1	180 Lbs. (Includes Economizer)
230V, 3Ph	2,400 cfm	2,200 cfm	2,000 cfm	1,800 cfm	3.2		
460V, 3Ph					1.6		

**PLEASE NOTE:**

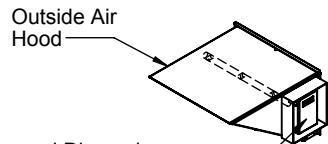
- Return air duct, dampers, return air grills are specific for each unit.
- For proper electrical wire sizing, Provent power exhaust full load amps need to be added to equation.

ProVent P/N	
CONSTANT VOLUME	MODULATING
<b>PECCSUN3672DB06C</b> 208/230V 1Ph Selectable Dry Bulb	<b>PECCSUN3672DB06M</b> 208/230V 1Ph Selectable Dry Bulb
<b>PECCSUN3672EN06C</b> 208/230V 1Ph Enthalpy	<b>PECCSUN3672EN06M</b> 208/230V 1Ph Enthalpy
<b>PECCSUN3672DB25C</b> 208/230V 3Ph Selectable Dry Bulb	<b>PECCSUN3672DB25M</b> 208/230V 3Ph Selectable Dry Bulb
<b>PECCSUN3672EN25C</b> 208/230V 3Ph Enthalpy	<b>PECCSUN3672EN25M</b> 208/230V 3Ph Enthalpy
<b>PECCSUN3672DB46C</b> 460V 3Ph Selectable Dry Bulb	<b>PECCSUN3672DB46M</b> 460V 3Ph Selectable Dry Bulb
<b>PECCSUN3672EN46C</b> 460V 3Ph Enthalpy	<b>PECCSUN3672EN46M</b> 460V 3Ph Enthalpy

**Note: For factory installed LEED economizer / power exhaust option, part number, FLOWECSUN3672, must be added.**

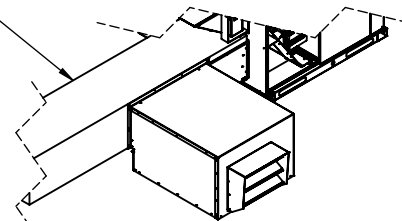
**LEED ECONOMIZER / POWER EXHAUST OPTION**

- ProVent P/N: FLOWECSUN3672
- Outside air measurement for dilution utilizing thermal dispersion technology and ASHRAE 62.1 compliant. Provides LEED credit by supplying feedback on ventilation system performance ensuring that the ventilation system maintains design requirements.
- Factory installed onto economizer/power exhaust standard.
- Provides analog outputs for BMS, visual or audible alert, and generates an alarm when conditions vary by 10% or more of set point.



Thermal Dispersion Airflow Measurement System

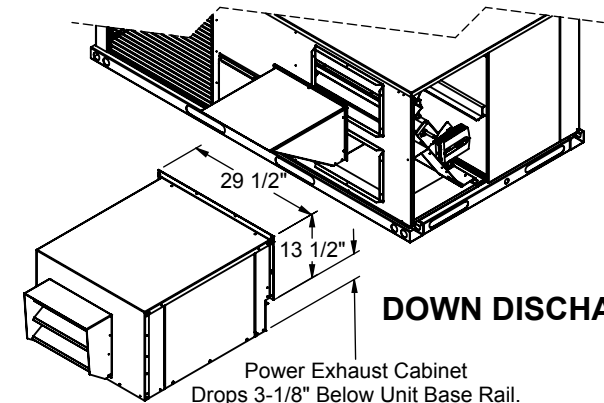
Field Supplied Duct Work



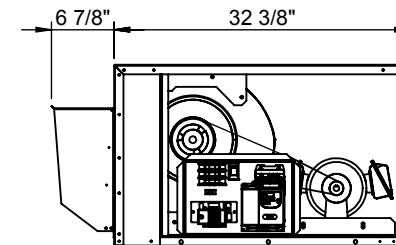
**HORIZONTAL DISCHARGE**



Only Ruskin Company Model CD-60 is AMCA Certified



**DOWN DISCHARGE**



3847 WABASH DR.  
MIRA LOMA, CA 91725

PHONE (951) 685-1101  
FAX (619) 872-9799

SUBMITTED TO: \_\_\_\_\_  
COMPANY: \_\_\_\_\_  
JOB NAME: \_\_\_\_\_  
EQUIPMENT: \_\_\_\_\_  
NOTES: \_\_\_\_\_

FORM NO:  
PE-01

DATE:  
9/14/2016

PART NUMBER:  
PECCSUN3672 SERIES

REV:  
11

DRAWN BY:  
ALL

**FEATURES**

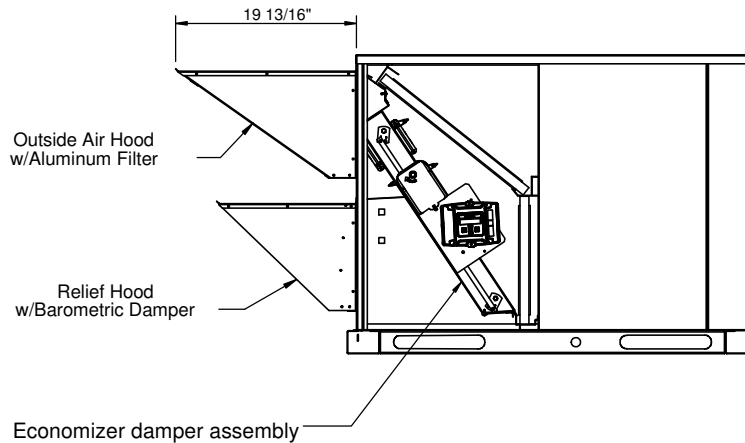
- CA Title 24 Compliant.
- Direct coupled style actuator standard.
- Stainless steel damper side seals.
- AMCA certified CD-60 Airfoil dampers blades.
- Meets leakage rate as required by ASHRAE 90.1.
- External linkage system.
- Mechanically secured outside air intake filter.
- Capable of introducing up to 100% outdoor air.
- Metal Filter 19" x 16-1/16" x 7/8" (exact) included

**FEATURES (When Ordered With Control Options)**

- Controls are FDD Compliant.
- Fully modulating damper controls with enthalpy, dry bulb and differential temperature sensor options.
- Selectable economizer changeover temperature set point.
- Requires part number 6210-0046 for Dual Enthalpy.
- CO2 controller standard.  
Wall or duct mounted CO2 sensor provided as option:  
CO2WM - Wall Mount  
CO2DM - Duct Mount

**CONVERTIBLE ECONOMIZER WITH BAROMETRIC RELIEF FOR YORK UNITS**

**ZE, ZR, XN, XP 036-060  
ZF 036-072**



**PROVENT P/N**      **Wt.**

**ECOCSUN3672DB**  
(Fully Modulating Dry Bulb)

**ECOCSUN3672EN**  
(Fully Modulating Enthalpy)

**ECOCSUN3672AC**  
(Actuator Only)

**ECOCSUN3672DBS**  
(SSE Controller Dry Bulb)

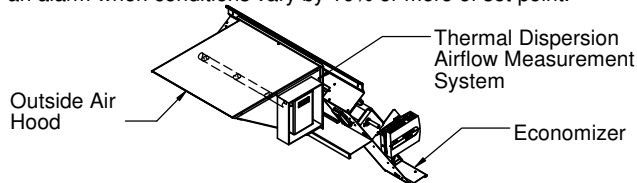
**ECOCSUN3672ENS**  
(SSE Controller Enthalpy)

48 lb.

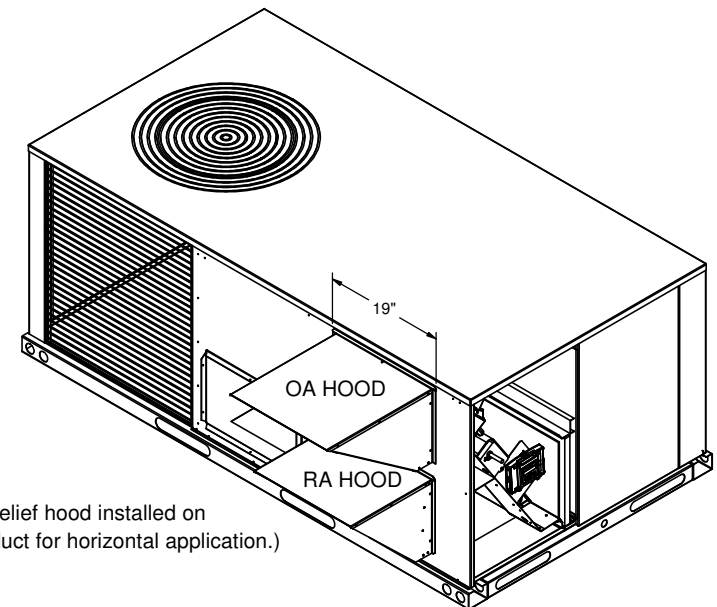
Note: For factory LEED economizer option, part number FLOWECSUN3672 must be added.

**LEED ECONOMIZER OPTION**

- ProVent P/N: FLOWECSUN3672
- Outside air measurement for dilution utilizing thermal dispersion technology and ASHRAE 62.1 compliant. Provides LEED credit by supplying feedback on ventilation system performance ensuring that the ventilation system maintains design requirements.
- Factory installed onto economizer standard.
- Provides analog outputs for BMS, visual or audible alert, and generates an alarm when conditions vary by 10% or more of set point.



Only Ruskin Company Model CD-60 is AMCA Certified



3847 WABASH DR.  
MIRA LOMA, CA 91725

PHONE (951) 685-1101  
FAX (619) 872-9799

SUBMITTED TO: \_\_\_\_\_  
COMPANY: \_\_\_\_\_  
JOB NAME: \_\_\_\_\_  
EQUIPMENT: \_\_\_\_\_  
NOTES: \_\_\_\_\_

FORM NO:  
ECO-185

DATE:  
3/9/2016

PART NUMBER:  
ECOCSUN3672 Series

REV:  
11

DRAWN BY:  
JG