

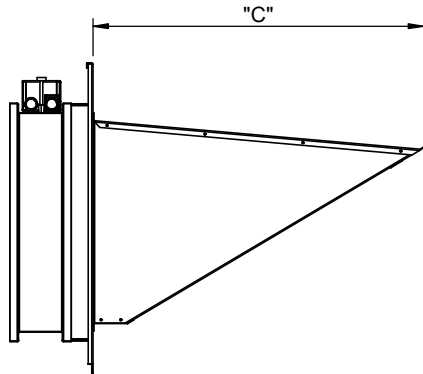
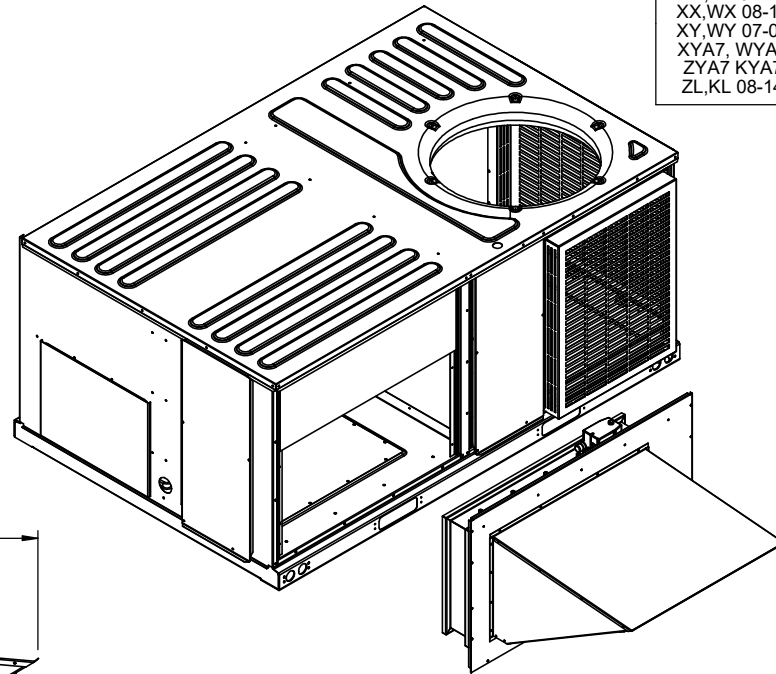
FEATURES:

- Painted hood and panels match factory specifications and color.
- 2-position option includes a built in damper position stop.
- CO2 capable option includes logic module with DCV.
- 2-10vdc Actuator standard.
- External linkage system.
- Mechanically secured upgraded outside air intake filter.
- Horizontal or down discharge. (Mounts in same position on unit).

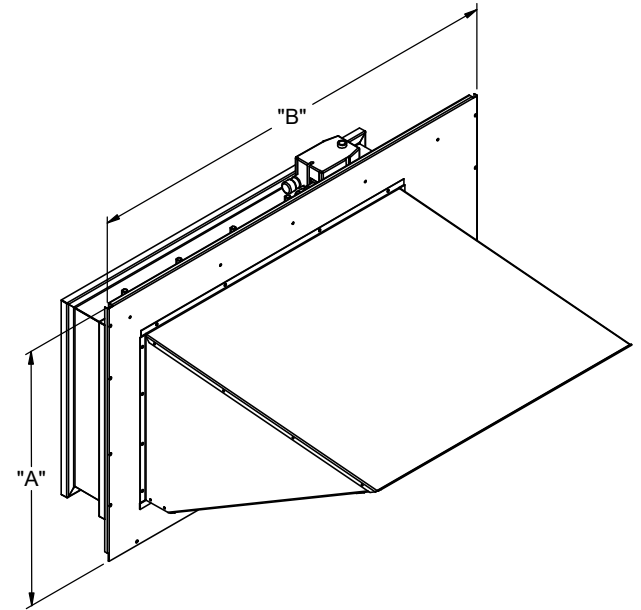
0-100% OUTSIDE AIR 2-POSITION AND CO2 CAPABLE HOOD FOR YORK UNITS

ZX,KX04-14; ZY,KY04-12; ZQ,KQ04-06
 XY,WY04-09; XX,WX08-12; XQ,WQ04-06; ZX,KXA7
 XX,WXA7; XY,WYA7; ZY,KYA7; ZL,KL04-14

RTU MODEL	TYPE	PROVENT P/N	A	B	C	EST. WT.
ZX,KX 04-07 ZY,KY 04-06 ZQ,KQ 04-06 XY,WY 04-06 XQ,WQ 04-06 ZX,A7, KXA7 XX,A7, WXA7 ZY,KYA7 ZL,KL 04-06	2-Position	OA2POPRS100BL	19-7/16"	33-7/16"	21"	55 Lbs.
	CO2 Capable	OA2POPRS100VCO2				
ZX,KX 08-14 ZY,KY 07-12 XX,WX 08-12 XY,WY 07-09 XYA7, WYA7 ZYA7 KYA7 ZL,KL 08-14	2-Position	OA2POPRL100BL	24-5/16"	40-15/16"	25-7/8"	65 Lbs.
	CO2 Capable	OA2POPRL100VCO2				



SIDE VIEW



Note:
 Add an "H" to the end of the part number if RTU has a hinged filter access option.



3847 WABASH DRIVE
 MIRA LOMA, CA 91752

PHONE (951) 685-1101
 FAX (619) 872-9799

SUBMITTED TO: _____
 COMPANY: _____
 JOB NAME: _____
 EQUIPMENT: _____
 NOTES: _____

FORM NO:
 OA-28

PART NUMBER:
 OA2POPR SERIES

DATE:
 1/31/2025

REV:
 7

DRAWN BY:
 CNG