

**MIXING BOX FOR YORK
SPLIT-SYSTEM EVAPORATOR BLOWERS:
NC, NL, GL 090-120; ND, NM 120; NC, NL, GL 180
ND, NM 180; NC, NL, GL 240; ND, NM 240
NC, GC 300; ND 360; ND 480; ND 600 UNITS**

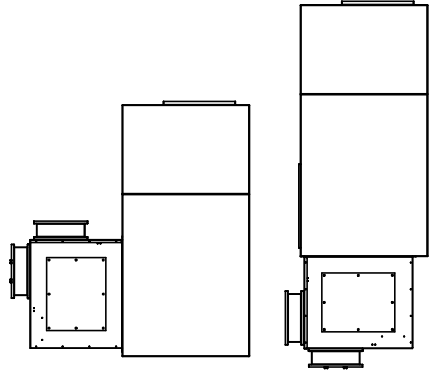
UNIT SIZE	PART NUMBER	CONTROL TYPE	A	B	C	D	E	EST.WT
NC, NL, GL 090-120 ND, NM 120	MBNC9012AC001	ACTUATOR ONLY	52 5/8"	21 1/4"	45"	24"	14"	125 LBS.
	MBNC9012DB001	MODULATING CONTROLS WITH SELECTABLE DRY BULB						
	MBNC9012EN001	MODULATING CONTROLS WITH ENTHALPY						
NC 180; ND 180 NL, GL 180; NM 180	MBNC180AC001	ACTUATOR ONLY	71 1/8"	28 1/4"	60"	24"	14"	195 LBS.
	MBNC180DB001	MODULATING CONTROLS WITH SELECTABLE DRY BULB						
	MBNC180EN001	MODULATING CONTROLS WITH ENTHALPY						
NC 240; ND 240 NL, GL 240; NM 240	MBNC240AC001	ACTUATOR ONLY	95 1/8"	21 1/4"	78"	24"	14"	220 LBS.
	MBNC240DB001	MODULATING CONTROLS WITH SELECTABLE DRY BULB						
	MBNC240EN001	MODULATING CONTROLS WITH ENTHALPY						
NC, GC 300 ND 360	MBNC360AC001	ACTUATOR ONLY	95 1/8"	33 1/4"	78"	30"	22"	320 LBS.
	MBNC360DB001	MODULATING CONTROLS WITH SELECTABLE DRY BULB						
	MBNC360EN001	MODULATING CONTROLS WITH ENTHALPY						
ND 480	MBNC480AC001	ACTUATOR ONLY	98 1/8"	40 1/2"	78"	40"	30"	420 LBS.
	MBNC480DB001	MODULATING CONTROLS WITH SELECTABLE DRY BULB						
	MBNC480EN001	MODULATING CONTROLS WITH ENTHALPY						
ND 600	MBNC600AC001	ACTUATOR ONLY	98 1/8"	49 1/2"	78"	48"	38"	520 LBS.
	MBNC600DB001	MODULATING CONTROLS WITH SELECTABLE DRY BULB						
	MBNC600DB001	MODULATING CONTROLS WITH ENTHALPY						

FEATURES:

- CA Title 24 Compliant.
- Factory Assembled.
- Galvanized steel construction.
- Fully insulated.
- AMCA certified CD-60 Airfoil damper blades.
- Meets leakage as required by ASHRAE 90.1

FEATURES (When Ordered With Controls):

- Direct coupled actuator.
- RRS Advanced controller.
- Modulating selectable Dry Bulb or single Enthalpy are standard for typical thermostat connections.
- Requires additional part number 6210-0046 for Dual Enthalpy.
- CO2 compatible with DCV.

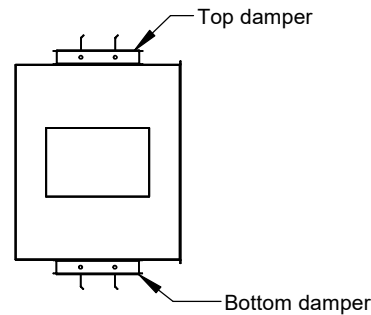


Vertical Application

Horizontal Application

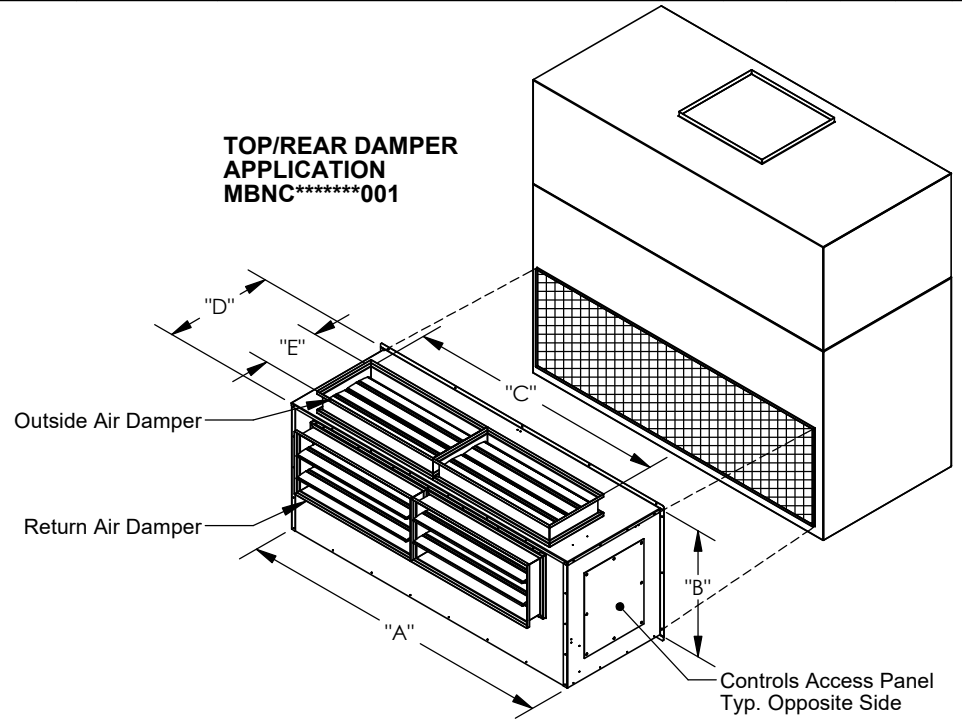
NOTE:

IF USING THE YORK SA-BUS AND CONNECTING TO A BAS, ADD AN "S" TO THE END OF THE PART NUMBER FOR YORK SE CONTROLS



**SIDE PROFILE FOR TOP/BOTTOM DAMPER APPLICATION
USE P/N: MBNC*****002**

**TOP/REAR DAMPER APPLICATION
MBNC*****001**



**3847 WABASH DRIVE
MIRA LOMA, CA 91752**

**PHONE (951) 685-1101
FAX (619) 872-9799**

SUBMITTED TO: _____
COMPANY: _____
JOB NAME: _____
EQUIPMENT: _____
NOTES: _____

FORM NO:
MBNC-101

PART NUMBER:
MBNC SERIES

DATE:
12/4/2024

REV:
16

DRAWN BY:
CNG