

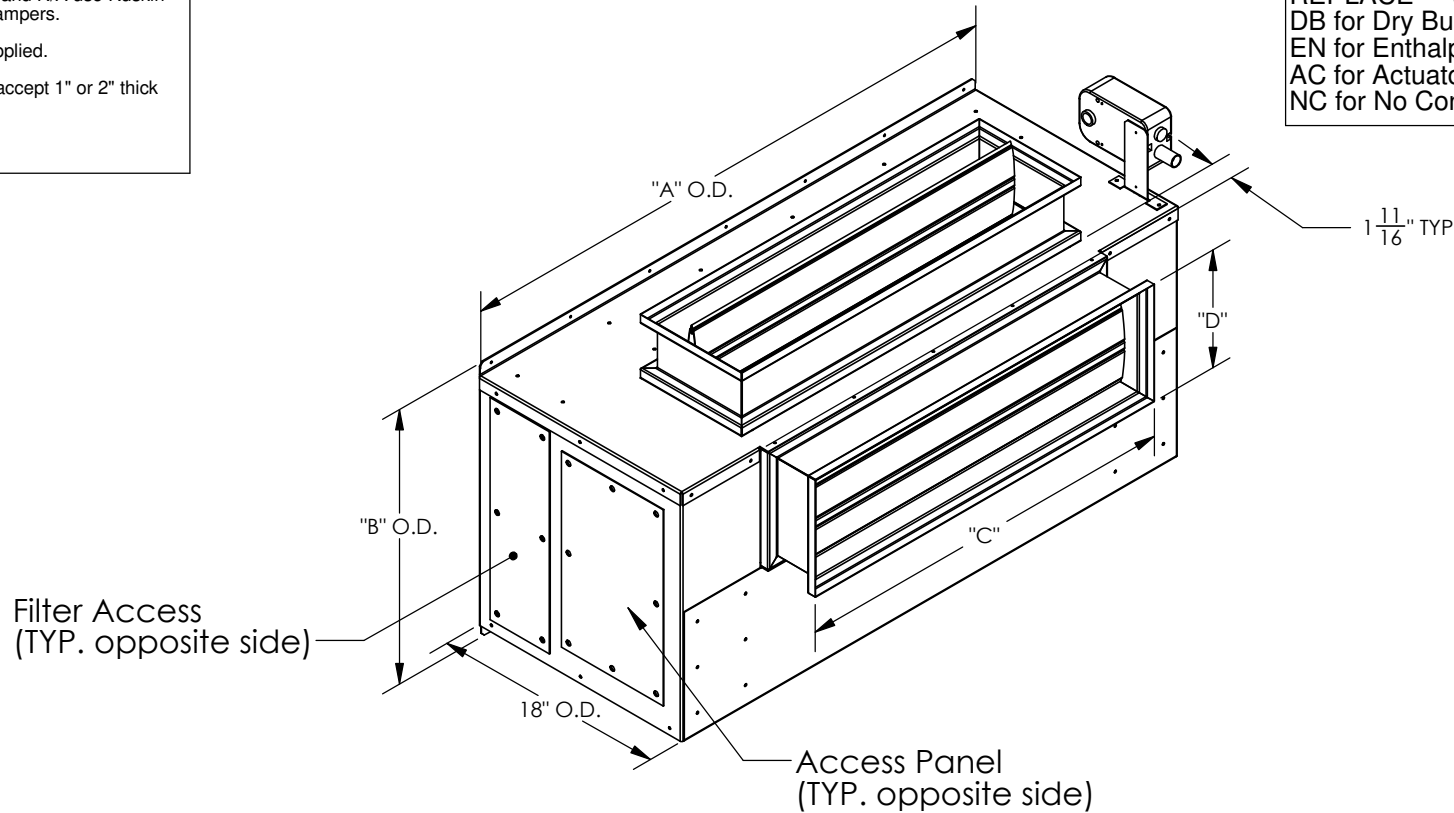
FEATURES:

- Factory assembled.
- Galvanized steel construction.
- Fully insulated.
- Optional modulating controls with selectable dry bulb or enthalpy are available.
- Mixing box O/A and R/A use Ruskin CD60 control dampers.
- Filter is field supplied.
- Filter Rack will accept 1" or 2" thick filters.

MIXING BOX FOR JOHNSON CONTROLS AVI/ AHI SERIES

JCI MODEL	PROVENT P. N.	A	B	C	D	FILTER SIZE	EST. WEIGHT
08	MBJCI08**	30"	21"	18"	9"	(1) 16" X 30" X 1" OR 2"	80 Lbs.
12	MBJCI12**	36"	21"	24"	9"	(2) 16" X 18" X 1" OR 2"	93 Lbs.
16	MBJCI16**	44"	21"	30"	9"	(2) 16" X 22" X 1" OR 2"	106 Lbs.
20	MBJCI20**	50"	21"	36"	12"	(2) 16" X 24" X 1" OR 2"	136 Lbs.
30	MBJCI30**	57"	30"	45"	12"	(3) 18" X 25" X 1" OR 2"	193 Lbs.

REPLACE ** WITH THE FOLLOWING:
 DB for Dry Bulb
 EN for Enthalpy
 AC for Actuator only
 NC for No Controls



3847 WABASH DRIVE
 MIRA LOMA, CA 91752

PHONE (951) 685-1101
 FAX (619) 872-9799

SUBMITTED TO: _____
 COMPANY: _____
 JOB NAME: _____
 EQUIPMENT: _____
 NOTES: _____

FORM NO:
 MB-400

PART NUMBER:
 MBJCI SERIES

DATE:
 9/1/2020

REV:
 2

DRAWN BY:
 JG