

FEATURES

- CA Title 24 Compliant. (includes FDD)
- Direct coupled style actuator standard.
- Stainless steel damper side seals.
- AMCA certified CD-60 Airfoil dampers blades.
- Meets leakage rate as required by ASHRAE 90.1.
- External linkage system.
- Mechanically secured outside air intake filter.
- Capable of introducing up to 100% outdoor air.
- Metal Filter Included: 33 1/2" x 10 1/2" x 7/8" (exact)

FEATURES (When Ordered With Control Options)

- Fully modulating damper controls with enthalpy, dry bulb and differential temperature sensor options.
- Selectable economizer changeover temperature set point.
- Requires part number 6210-0046 for Dual Enthalpy.
- CO2 compatible with DCV.

Wall or duct mounted CO2 sensor provided as option:

- CO2WM - Wall Mount
- CO2DM - Duct Mount



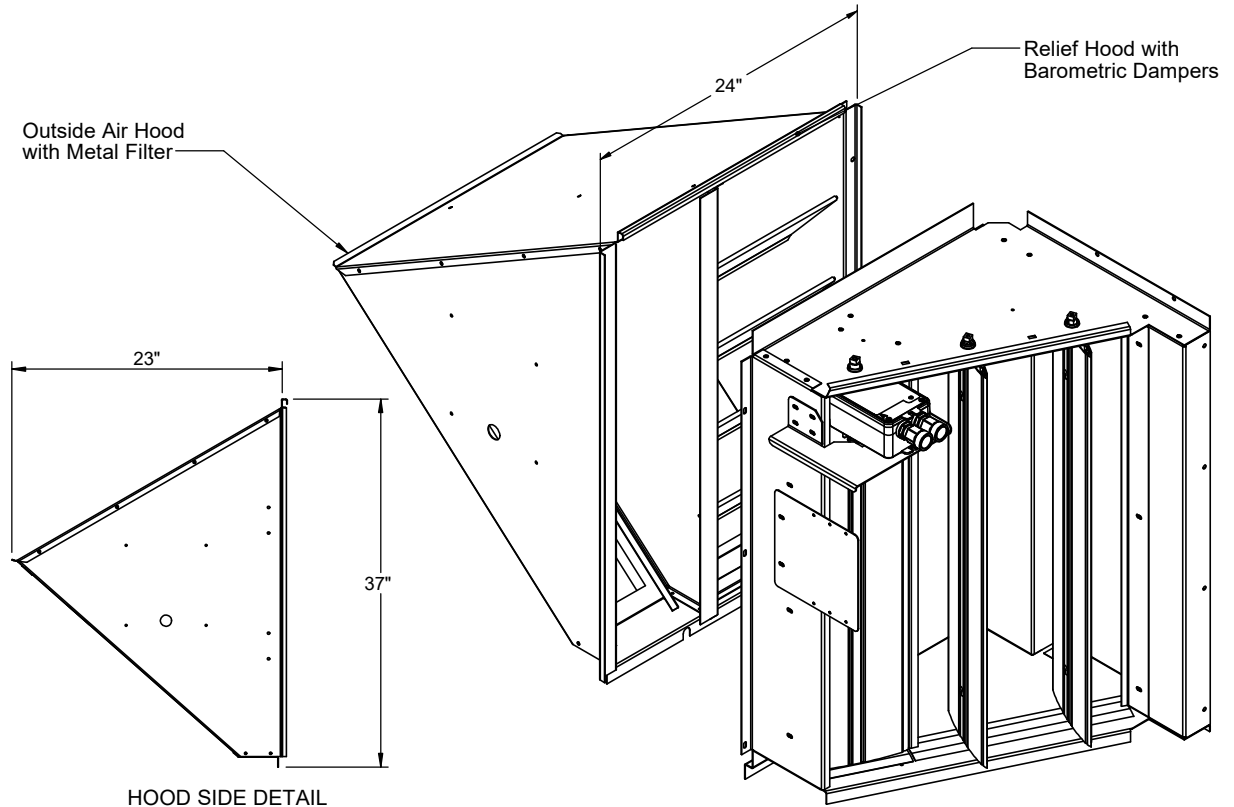
Ruskin Company Model CD-60 is AMCA Certified

HORIZONTAL DISCHARGE ECONOMIZER WITH BAROMETRIC RELIEF FOR YORK CORE UNITS:

**ZX 08-14; XX 08-12; XYA7, ZYA7; ZY 07-12; XY 07-09; ZL 08-14
KX 08-14; WX 08-12, WYA7, KYA7; KY 07-12; WY 07-09; KL 08-14**

** INCLUDES CENTER POST AND FILTER ACCESS PANEL **

| York Model | ProVent P/N | Weight |
|--|---|---------|
| ZX, KX 08 XY, WY, ZY, KY 07 XY, WY A7 ZY, KY A7 | ECOHPRLSDB (Fully Modulating Dry Bulb) | 96 Lbs. |
| | ECOHPRLSEN (Fully Modulating Enthalpy) | |
| | ECOHPRLSAC (Actuator Only) | |
| ZX, KX 09-14 XY, WY 08-09 ZY, KY 08-12 XX, WX 08-12 ZL, KL 08-14 | ECOHPRLTDB (Fully Modulating Dry Bulb) | |
| | ECOHPRLTEN (Fully Modulating Enthalpy) | |
| | ECOHPRLTAC (Actuator Only) | |



HOOD SIDE DETAIL



3847 WABASH DR.
MIRA LOMA, CA 91752

PHONE (951) 685-1101
FAX (619) 872-9799

SUBMITTED TO: _____
COMPANY: _____
JOB NAME: _____
EQUIPMENT: _____
NOTES: _____

FORM NO:
ECO-88

DATE:
11/21/2024

PART NUMBER:
ECOHPRL Series

REV:
10

DRAWN BY:
CNG