

**FEATURES**

- CA Title 24 Compliant.
  - Direct coupled style actuator standard.
  - Stainless steel damper side seals.
  - AMCA certified CD-60 Airfoil dampers blades.
  - Meets leakage rate as required by ASHRAE 90.1.
  - External linkage system.
  - Mechanically secured outside air intake filter.
  - Metal Filter included:
    - PRS - 25-1/2" x 11" x 7/8" (exact).
    - PRL - 33-1/2" x 10-1/2" x 7/8" (exact).
- FEATURES (When Ordered With Control Options)**
- Controls are FDD Compliant.
  - Fully modulating damper controls with enthalpy, dry bulb and differential temperature sensor options.
  - Selectable economizer changeover temperature set point.
  - Requires part number 6210-0046 for Dual Enthalpy.
  - CO2 capable for DCV.
- Wall or duct mounted CO2 sensor provided as option:

- CO2WM - Wall Mount
- CO2DM - Duct Mount



Ruskin Company Model CD-60 is AMCA Certified

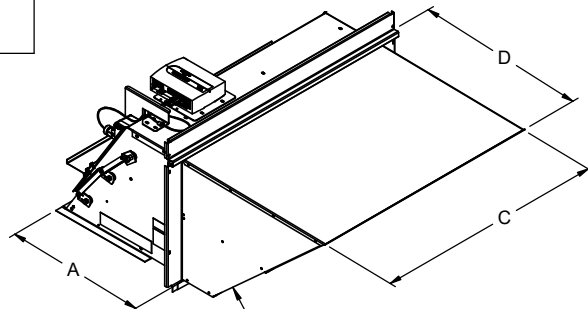
**DOWN DISCHARGE LOW STATIC \*\*  
ECONOMIZER WITH BAROMETRIC RELIEF  
FOR YORK UNITS:**

**ZX,KX04-14; ZY,KY04-12; ZQ,KQ04-06  
XY,WY04-09; XX,WX08-12; XQ,WQ04-06; ZX,KXA7  
XX,WXA7; XY,WYA7; ZY,KYA7; ZL,KL04-14**

**\*\* FOR RTU'S MANUFACTURED AFTER  
FEBRUARY 2022**

**ECONOMIZER STATIC RESISTANCE TABLE**

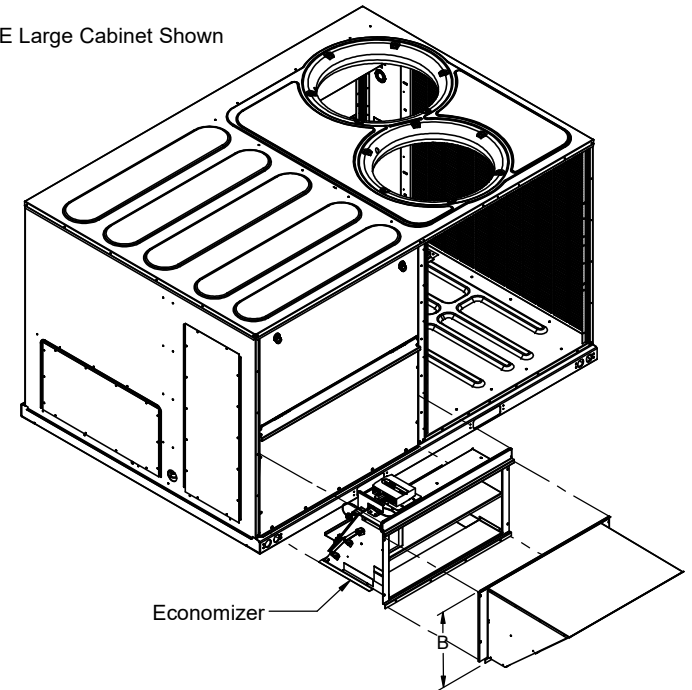
UNIT	CFM	RETURN AIR STATIC LOSS	
		ECODPR*** ESP (OLD)	ECODPR***2 ESP (NEW)
PRS	1200	0.24	0.06
	1600	0.52	0.12
	2000	0.81	0.17
	2400	1.10	0.22
	3000	1.54	0.33
PRL	2400	0.21	0.08
	3000	0.35	0.18
	3400	0.47	0.23
	4000	0.66	0.30
	5200	1.04	0.41



Combination O/A and Relief Hood

York Unit	ProVent P/N	"A"	"B"	"C"	"D"	Weight
ZX,KX 04-07 ZY,KY 04-06 ZQ,KQ 04-06 XY,WY 04-06 XQ,WQ 04-06 ZXA7,KXA7 XXA7, WXA7 ZL,KL 04-06	ECODPRDB2 (Fully Modulating Dry Bulb)	17-3/16"	18-3/8"	33-1/4"	17-3/8"	81 Lbs.
	ECODPRSEN2 (Fully Modulating Enthalpy)					
	ECODPRSAC2 (Actuator Only)					
ZX,KX 08-14 ZY,KY 07-12 XX,WX 08-12 XY,WY 07-09 XYA7, WYA7 ZYA7, KYA7 ZL,KL 08-14	ECODPRLDB2 (Fully Modulating Dry Bulb)	19-3/4"	23-7/16"	40-3/4"	22"	94 Lbs.
	ECODPRLN2 (Fully Modulating Enthalpy)					
	ECODPRLAC2 (Actuator Only)					

CORE Large Cabinet Shown



**Note:**  
Please add an H to the end of the part number if RTU has a hinged filter access option.



3847 WABASH DRIVE  
MIRA LOMA, CA 91725

PHONE (951) 685-1101  
FAX (619) 872-9799

SUBMITTED TO: \_\_\_\_\_  
COMPANY: \_\_\_\_\_  
JOB NAME: \_\_\_\_\_  
EQUIPMENT: \_\_\_\_\_  
NOTES: \_\_\_\_\_

FORM NO:  
ECO-79

DATE:  
12/6/2024

PART NUMBER:  
ECODPR\_2 Series

REV: 3  
DRAWN BY: CNG