

FEATURES

- CA Title 24 Compliant.
 - Direct coupled style actuator standard.
 - Stainless steel damper side seals.
 - AMCA certified CD-60 Airfoil dampers blades.
 - Meets leakage rate as required by ASHRAE 90.1.
 - External linkage system.
 - Mechanically secured outside air intake filter.
 - Metal Filter included:
 - PRS - 25-1/2" x 11" x 7/8" (exact).
 - PRL - 33-1/2" x 10-1/2" x 7/8" (exact).
- FEATURES (When Ordered With Control Options)**
- Fully modulating damper controls with enthalpy, dry bulb and differential temperature sensor options.
 - Selectable economizer changeover temperature set point.
 - Requires part number 2ECO402 for Dual Enthalpy.
 - CO2 controller standard.

Wall or duct mounted CO2 sensor provided as option:

- CO2WM - Wall Mount
- CO2DM - Duct Mount



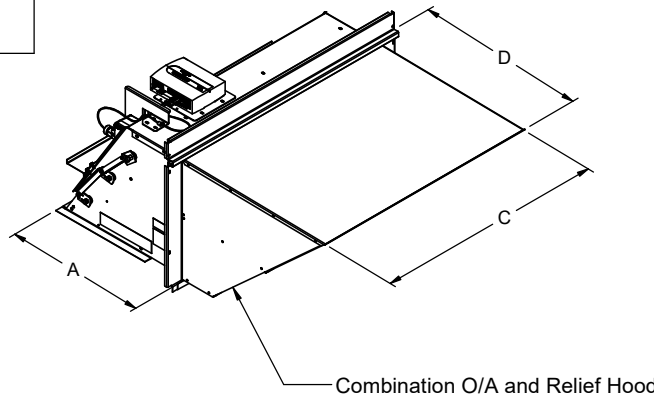
Ruskin Company Model CD-60 is AMCA Certified

**DOWN DISCHARGE LOW STATIC **
ECONOMIZER WITH BAROMETRIC RELIEF
FOR YORK UNITS:**

**ZX04-14, ZY04-12, ZQ04-06, XY04-09, XX08-12,
XQ04-06, ZXA7, XXA7, XYA7, ZYA7, ZL04-14**

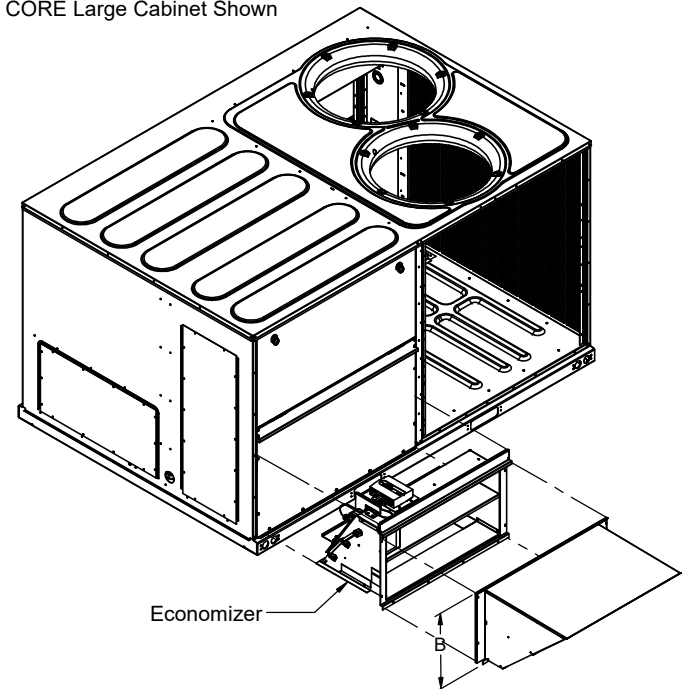
**** FOR RTU'S MANUFACTURED AFTER FEBRUARY 2022**

ECONOMIZER STATIC RESISTANCE TABLE				
UNIT	CFM	RETURN AIR STATIC LOSS		
		ECODPR*** ESP (OLD)	ECODPR***2 ESP (NEW)	
PRS	1200	0.24	0.06	
	1600	0.52	0.12	
	2000	0.81	0.17	
	2400	1.10	0.22	
	3000	1.54	0.33	
PRL	2400	0.21	0.08	
	3000	0.35	0.18	
	3400	0.47	0.23	
	4000	0.66	0.30	
	5200	1.04	0.41	



York Unit	ProVent P/N	"A"	"B"	"C"	"D"	Weight
ZX 04-07 ZY 04-06 ZQ 04-06 XY 04-06 XQ 04-06 ZXA7 XXA7 ZL 04-06	ECODPRSD2 (Fully Modulating Dry Bulb) ECODPRSEN2 (Fully Modulating Enthalpy) ECODPRSAC2 (Actuator Only)	17-3/16"	18-3/8"	33-1/4"	17-3/8"	81 Lbs.
ZX 08-14 ZY 07-12 XX 08-12 XY 07-09 XYA7 ZYA7 ZL 08-14	ECODPRLDB2 (Fully Modulating Dry Bulb) ECODPRLN2 (Fully Modulating Enthalpy) ECODPRLAC2 (Actuator Only)	19-3/4"	23-7/16"	40-3/4"	22"	94 Lbs.

CORE Large Cabinet Shown



Note:
Please add an H to the end of the part number if RTU has a hinged filter access option.



3847 WABASH DRIVE
MIRA LOMA, CA 91725

PHONE (951) 685-1101
FAX (619) 872-9799

SUBMITTED TO: _____
COMPANY: _____
JOB NAME: _____
EQUIPMENT: _____
NOTES: _____

FORM NO:
ECO-79

DATE:
3/18/2024

PART NUMBER:
ECODPR_2 Series

REV: 2
DRAWN BY: CNG