



## INSTALLATION INSTRUCTIONS

### ECOHSAV1520/ECOHSAV2528 Series Convertible Economizer for Choice 12.5-27.5 Ton Units

#### Before Starting Installation

	<b>WARNING</b>
	Electric shock hazard. Can cause injury or death. Before attempting to perform any service or maintenance, turn the electrical power to unit OFF at disconnect switch(es).

PARTS INCLUDED	QTY.
1/4" Round bar for damper connection	1

Side Flow Unit	ProVent P/N
15-17.5 Ton	ECOHSAV1520
20-25 Ton	ECOHSAV2528

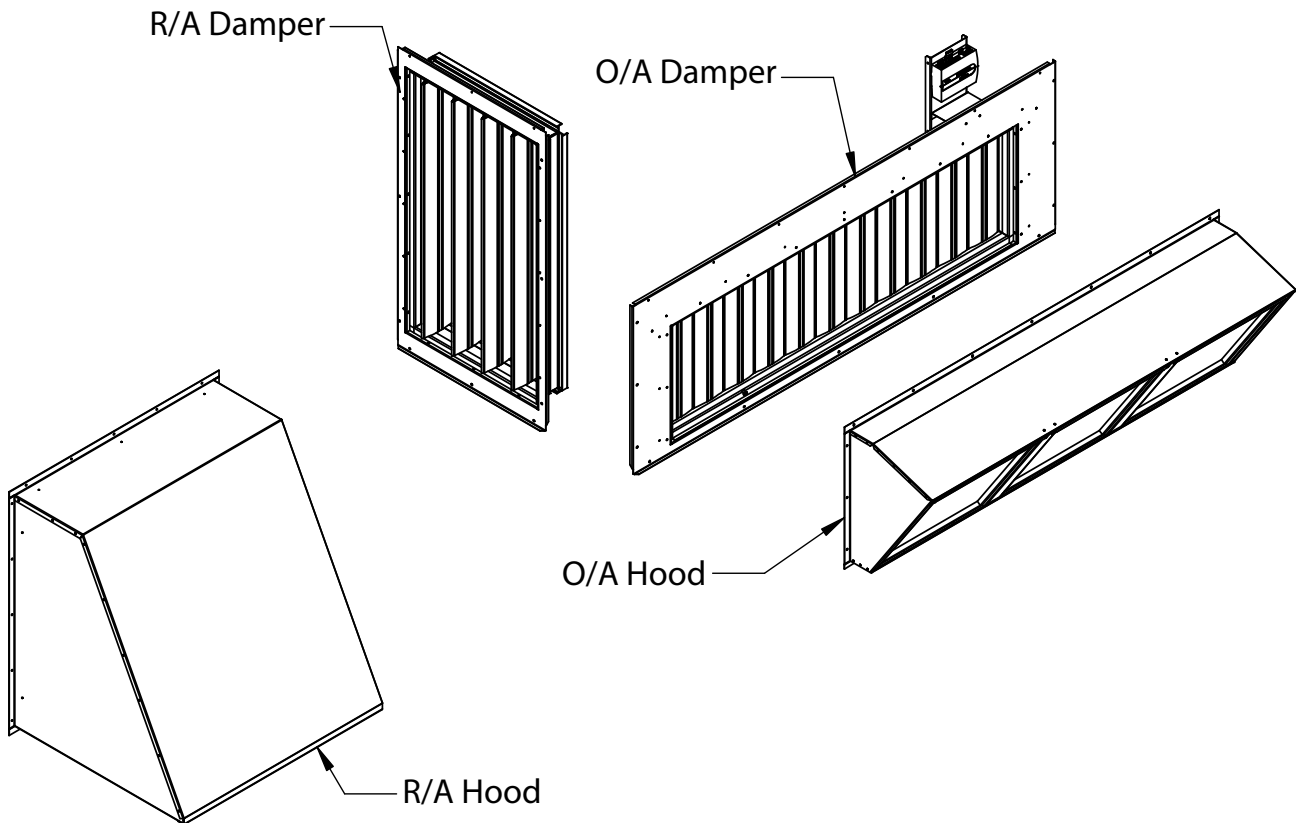
Only qualified HVAC service personnel should install, troubleshoot, repair or service HVAC and related HVAC equipment.

#### Installation Instructions

1. Verify all unit parts in box.

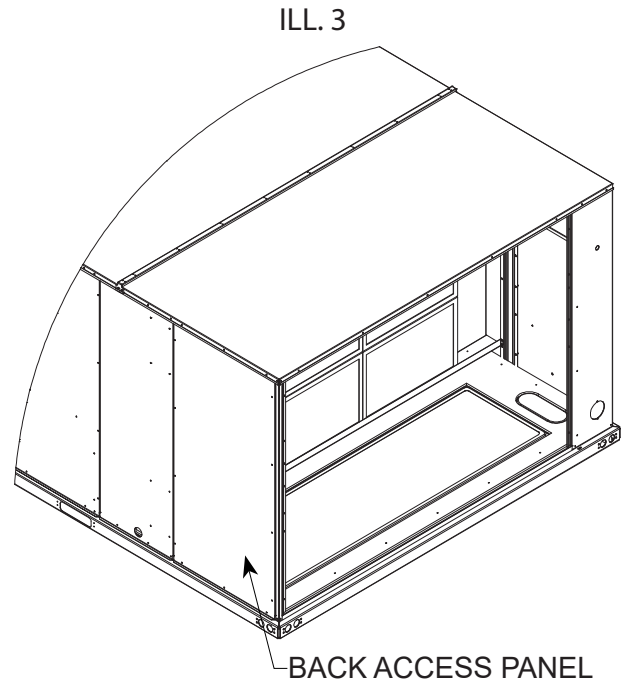
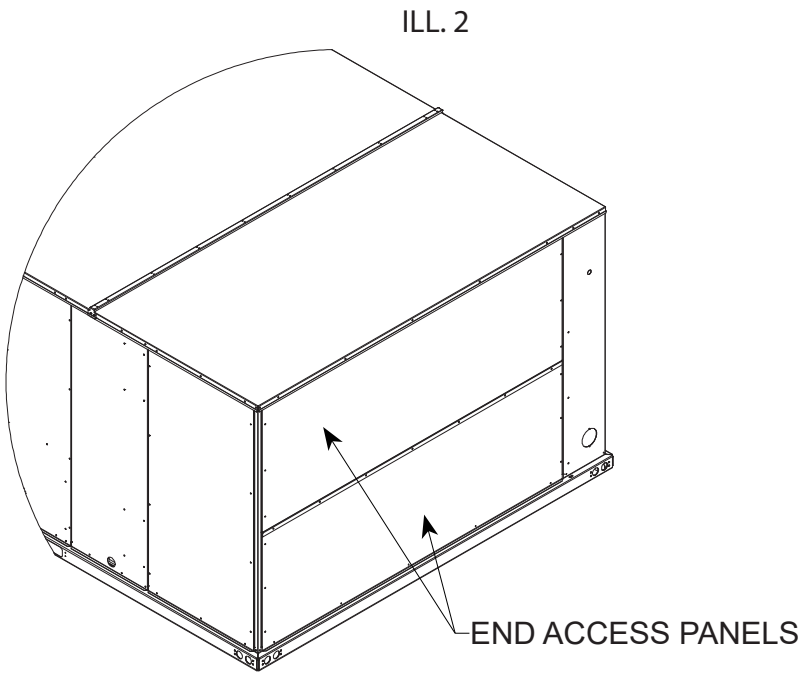
1 ea. Economizer with SSE Controls

ILL. 1

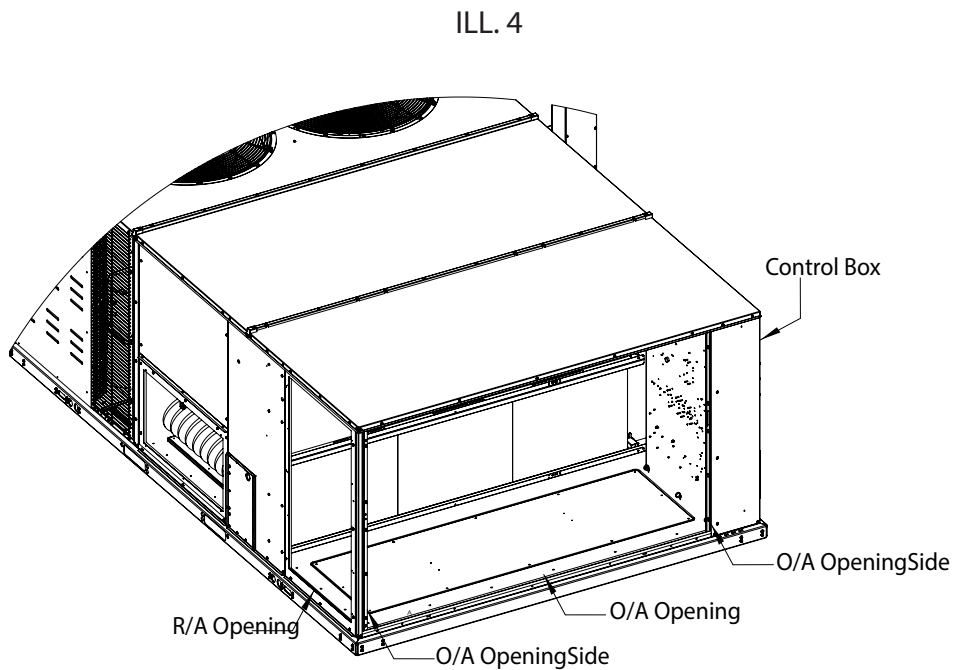


	<b>WARNING</b>
When installing the economizer over the return air opening, a fall restraint should be utilized.	

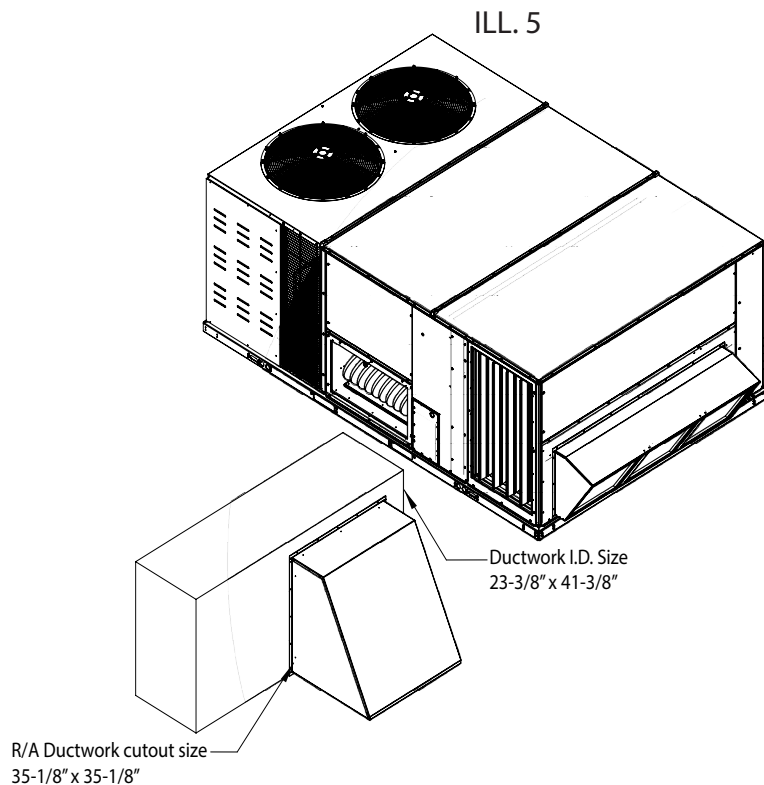
- Remove the screws from around the perimeter of both end access panels to remove panels from RTU as shown in ILL. 2. Discard lower end access panel. Retain screws to be used later.
- Remove the back access panel shown in ILL. 3.



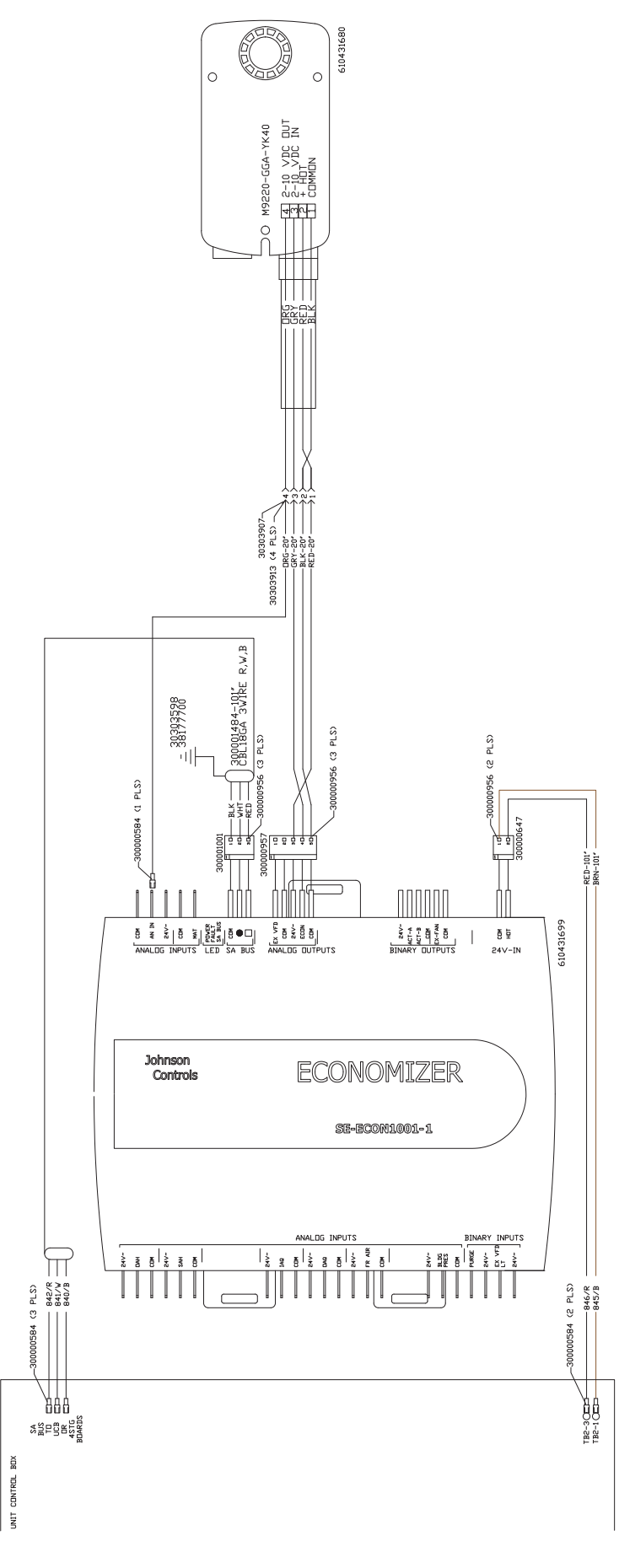
- Install the economizer OA damper assembly so that the bottom of the damper rest at the floor of the RTU and the flanges of the damper is up against the opening sides of the RTU. ILL. 4.



5. After the install of the economizer please remove the control box access panel. See ILL4.
6. Keep the upper panel above from the OA Hood removed.
7. Route the wires from the economizer through the back of the RTU control box. See ILL 4.
8. Connect the wires coming from the SA BUS terminals of the economizer controller to the UCB (or 4-stage boar, if applicable) in the RTU control box. Reference the RTU wiring diagram and the one provided in this document.
  - 840/BLK connects to S15-2
  - 841/WHT connects to S15-3
  - 842/RED connections to S15-1
9. Connect the wires coming from the 24V-IN terminals of the economizer controller to the TB2 terminal block on the shelf in the RTU control box. Reference the RTU wiring diagram and the one provided in this document.
  - 845/BRN connects to TB2-1
  - 846/RED connects to TB2-3
10. Install back control box access panel.
11. Install upper panel above the OA hood.
12. Install R/A Hood on the R/A ductwork.
13. Final assembled unit should resemble ILL. 5.



CONNECTOR & CONTACT CONFIGURATION	COMPONENT CODE	WIRE COLOR CODE	Revision	Change	Date
		BLK Black BRN Brown GRN Green GRY Gray RED Red WHT White YEL Yellow	-		



**Economizer w/ SSE Controls**  
**Model# ECOHSV SERIES**