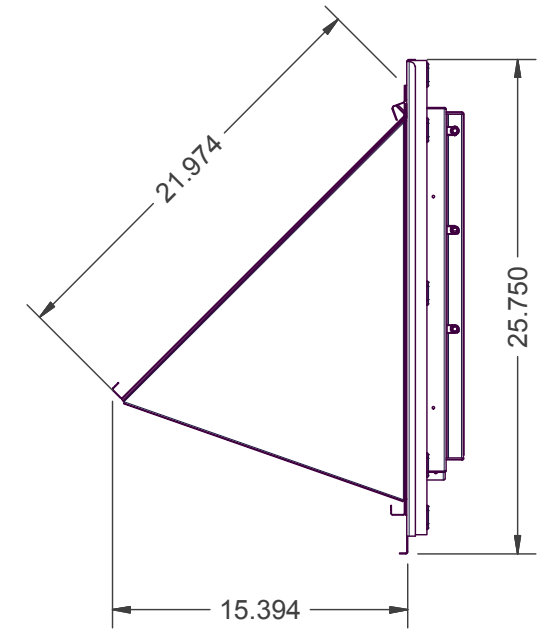
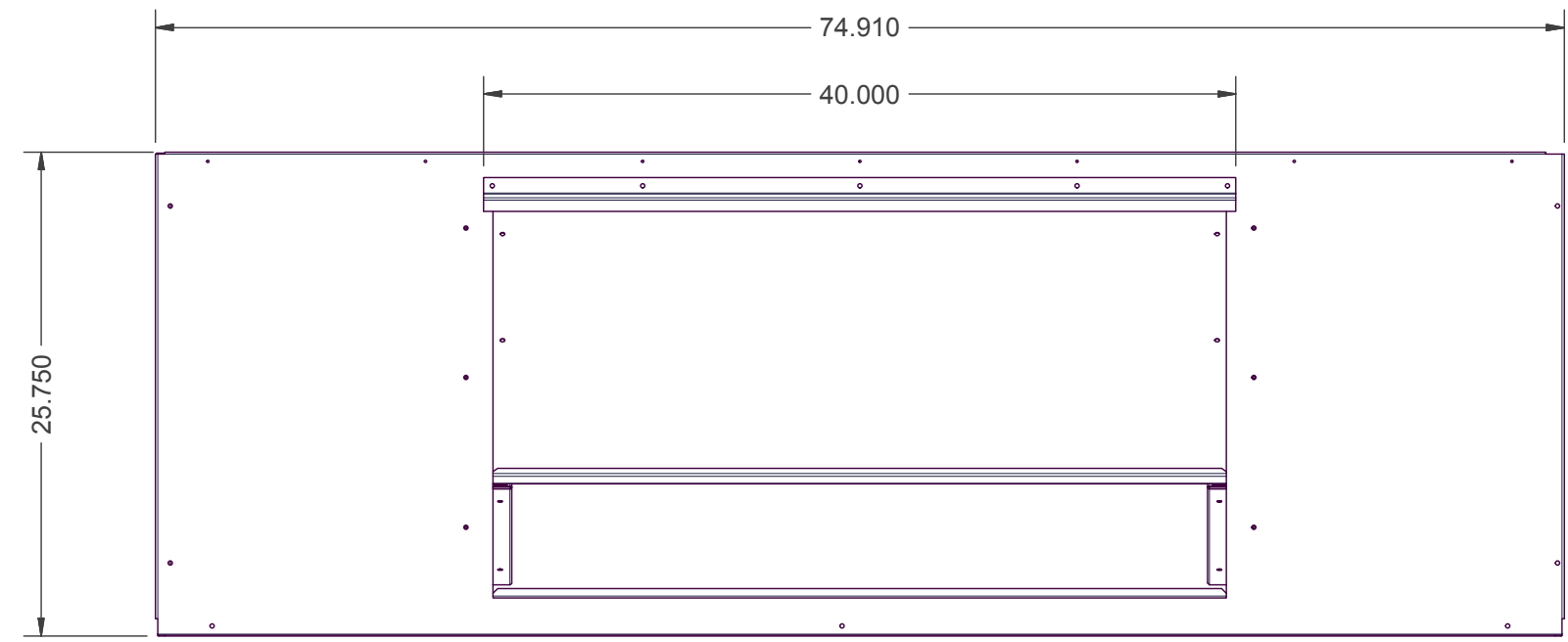
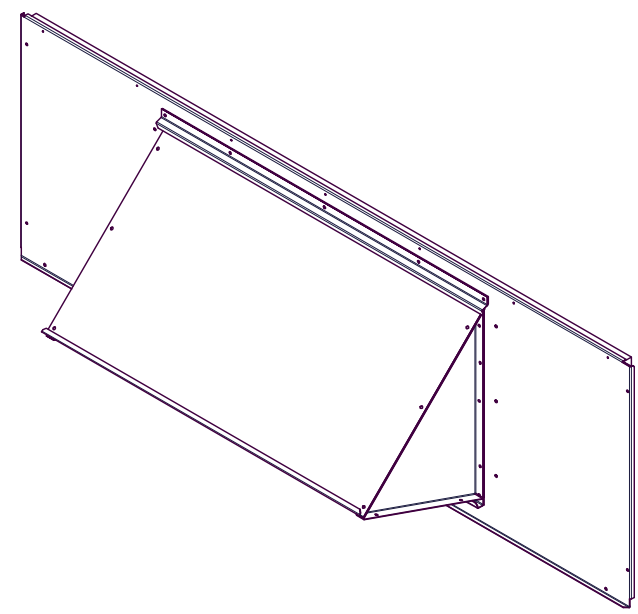
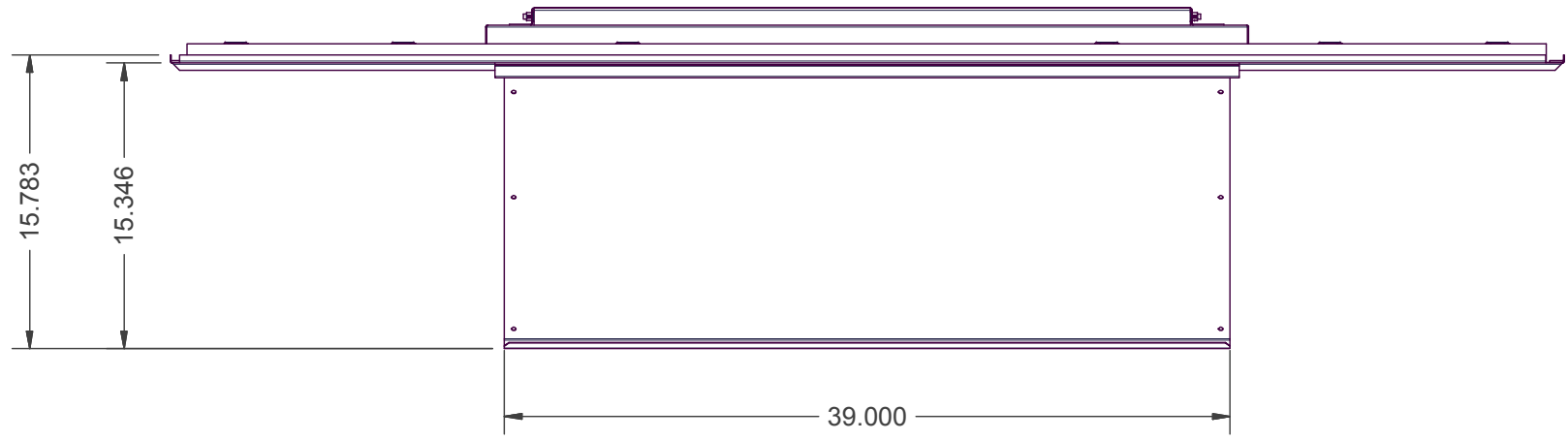


REV	DESCRIPTION	DATE	APRVD
A			



GENERAL DRAFTING STANDARDS
 REFERENCE WORK INSTRUCTION WIE-215
 STANDARD ENGINEERING TOLERANCES
 REFERENCE WORK INSTRUCTION WIE-001
 DIMENSIONS ARE IN INCHES UNLESS
 OTHERWISE SPECIFIED

RRS ROOFTOP SYSTEMS

1625 DIPLOMAT DR., CARROLLTON, TX 75006
 Ph: 972-247-7447 www.rooftopsystems.com

(P) - PAINT THIS SIDE
 P - PAINT OPPOSITE SIDE
 [P] - PAINT BOTH SIDES

CUSTOMER: YORK
 DIR. NAME: 45052
 DRAWING FILE: 8145052FINAL.idw

UNIT NO: 8245052
 DESCRIPTION: FINAL VIEW
 ASSY/UNIT: 1
 SCALE: NTS
 APRVD BY: clozaed
 DATE: 12/22/2017
 SHEET: 1 OF 1

Template Revision Date: 6/23/2017 by cferre7