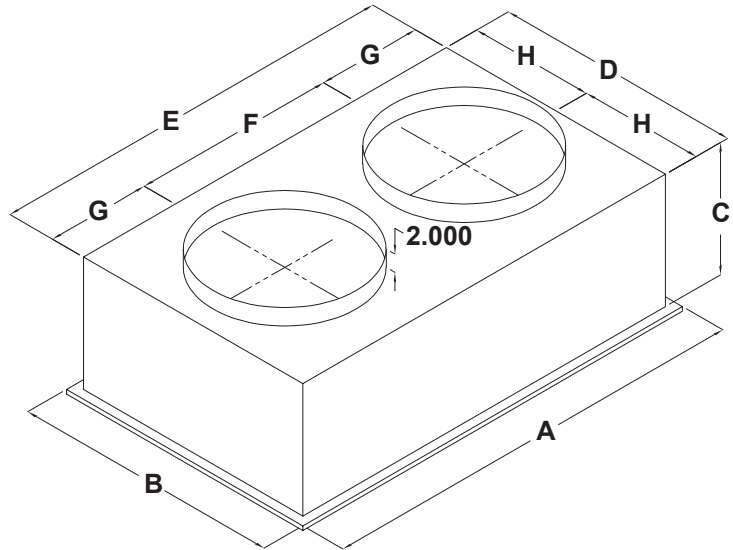


Application

Ruskin Rooftop Systems 510 series concentric diffuser systems are designed to provide a single point air distribution system with the added benefit of having directional air control. The systems may be used with either a "T-Bar" ceiling or a plaster ceiling.

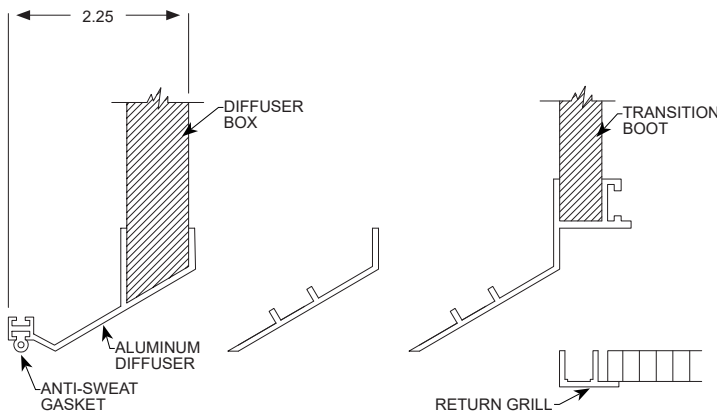
Features

- Even 4-way air distribution
- All anodized aluminum diffuser frame
- Aluminum return air egg crate
- Double deflection diffuser
- Built-in Anti-Sweat gasket
- Sheet metal transition
- Built-in hanging supports
- Fiberglass duct-board diffuser box
- Stainless steel thumb screws
- Fully insulated (both supply and return)



Recommended Specification

Diffusers shall consist of an aluminum supply diffuser with an aluminum egg-crate return. Unit shall be complete with a permanent non-adhesive anti-sweat gasket and hanging supports. Diffusers five ton and smaller shall have a molded fiberglass interior transition. Units fifteen ton and larger shall have supply duct through return transition ensure equal airflow to all four sides of diffuser. Manufacturers published data sheet shall include CFM rating, velocity rating, noise, static, and throw information. Flush mount concentric diffusers shall be in all respects equivalent to Ruskin Rooftop Systems Model 510 Series.



DIMENSIONAL DATA

RRS MODEL#	A	B	C	D	E	F	G	H	DUCT SIZE
01-510-20B	47.625	29.625	16.625	27	45	22.500	11.250	13.500	20 ROUND

ENGINEERING DATA

RRS MODEL#	CFM	STATIC PRESSURE	THROW FEET	NECK VEL.	JET VEL.	NOISE LEVEL	WEIGHT	GRILL COLOR	FILTER	BOX TYPE
01-510-20B	2600	0.17	19-24	663	1294	30 db	42 lbs	ALUMINUM - GRAY	NOT INCLUDED	FIBERGLASS
	2800	0.20	20-28	714	1393	35 db				
	3000	0.25	21-29	765	1492					
	3200	0.31	22-29	816	1592	40 db				
	3400	0.37	22-30	867	1692					