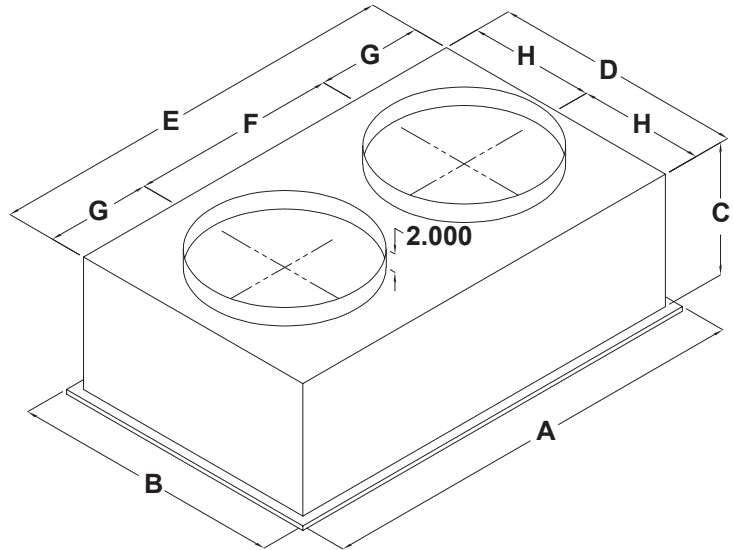


Application

Ruskin Rooftop Systems 510 series concentric diffuser systems are designed to provide a single point air distribution system with the added benefit of having directional air control. The systems may be used with either a "T-Bar" ceiling or a plaster ceiling.

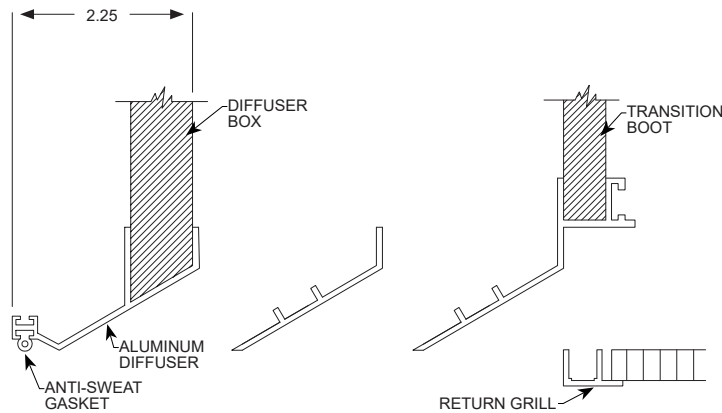
Features

- Even 4-way air distribution
- All anodized aluminum diffuser frame
- Aluminum return air egg crate
- Double deflection diffuser
- Built-in Anti-Sweat gasket
- Molded fiberglass transition
- Built-in hanging supports
- Fiberglass duct-board diffuser box
- Stainless steel thumb screws
- Fully insulated (both supply and return)



Recommended Specification

Diffusers shall consist of an aluminum supply diffuser with an aluminum egg-crate return. Unit shall be complete with a permanent non-adhesive anti-sweat gasket and hanging supports. Diffusers five ton and smaller shall have a molded fiberglass interior transition. Units fifteen ton and larger shall have supply duct through return transition ensure equal airflow to all four sides of diffuser. Manufacturers published data sheet shall include CFM rating, velocity rating, noise, static, and throw information. Flush mount concentric diffusers shall be in all respects equivalent to Ruskin Rooftop Systems Model 510 Series.



DIMENSIONAL DATA

RRS MODEL#	A	B	C	D	E	F	G	H	DUCT SIZE
01-510-16B	47.625	23.625	13.500	21	45	22.500	11.250	10.500	16 ROUND

ENGINEERING DATA

RRS MODEL#	CFM	STATIC PRESSURE	THROW FEET	NECK VEL.	JET VEL.	NOISE LEVEL	WEIGHT	GRILL COLOR	FILTER	BOX TYPE
01-510-16B	600	0.09	10-14	234	417	18 db	27 lbs	ALUMINUM - GRAY	NOT INCLUDED	FIBERGLASS
	800	0.11	12-18	313	556	20 db				
	1000	0.14	15-20	391	691					
	1200	0.17	16-22	469	833					
	1400	0.20	17-24	547	972					

NOVEMBER 16, 2020 FORM# RRS_51016

SUPERSEDES: 04-02-20