

For wood, concrete and steel attachment see Roof Anchorage Detail, Form No. CB-60.

Welded isolation springs housing are standard. For bolted spring housing, neoprene pads and spring cups see Weldment and Bolting Detail, Form No. CB-61

**FEATURES**

- Roof curb base 12 ga.
- Roof curb upper rail 14 ga.
- Fully welded construction.
- Gasketing package provided.
- Heat treated wood nailer provided.
- Insulated deck pans provided.
- Pitched curbs and taller curbs are available.

**NOTES**

- Attach ductwork to roof curb. Flanges of duct rest on top of the curb, Support ductwork below the curb.
- Thru the curb utilities are available. Contact you York distributor or Provent directly.

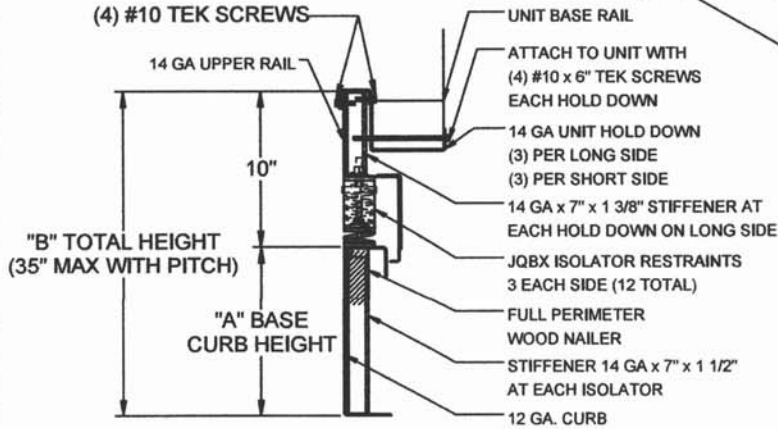
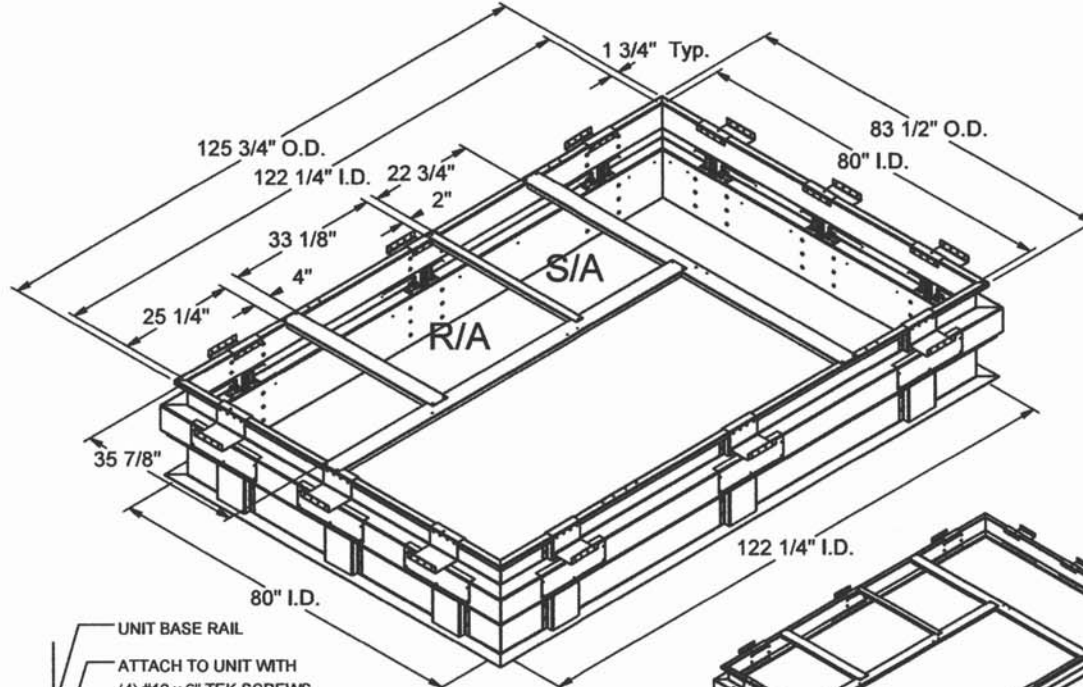
**VIBRATION ISOLATION ROOF CURBS  
YORK UNITS**

ZJ, ZR 180-300; XP 180-240  
ZF 210-300

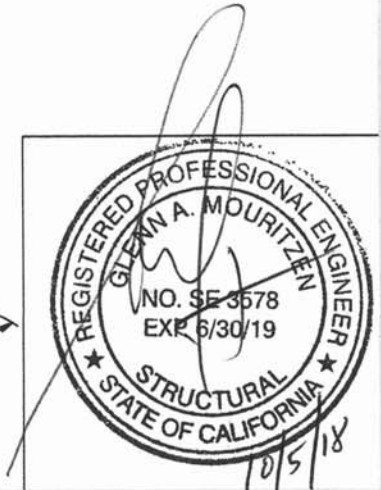
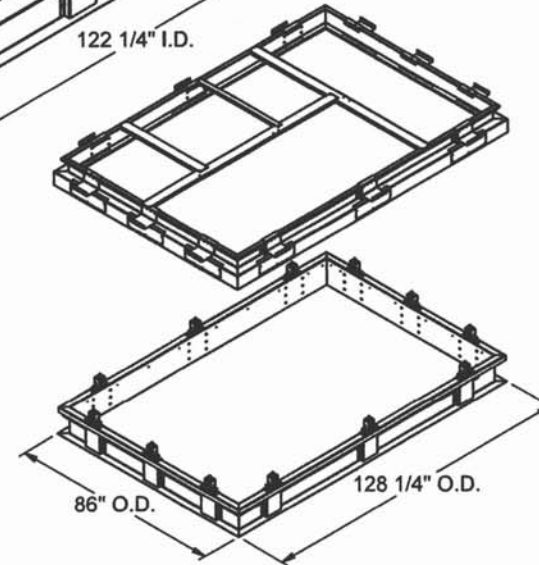
PROVENT P/N	A	B	EST. WEIGHT
CBISCSLM183018**	8"	18"	528 Lbs
CBISCSLM183021**	11"	21"	578 Lbs
CBISCSLM183024**	14"	24"	628 Lbs

\*\*Note: Spring configuration must be added to part number at time of order

Meets seismic requirements for the following codes:  
CBC 2016  
IBC 2015



**PROFILE DETAIL**



3847 WABASH DRIVE  
MIRA LOMA, CA 91752  
PHONE (951) 685-1101  
FAX (619) 872-9799

SUBMITTED TO:  
COMPANY:  
JOB NAME:  
EQUIPMENT:  
NOTES:

FORM NO:  
CBISC-08  
DATE:  
9/27/2018

PART NUMBER:  
-  
REV:  
1  
DRAWN BY:  
ALL