

For wood, concrete and steel attachment see Roof Anchorage Detail, Form No. CB-60.

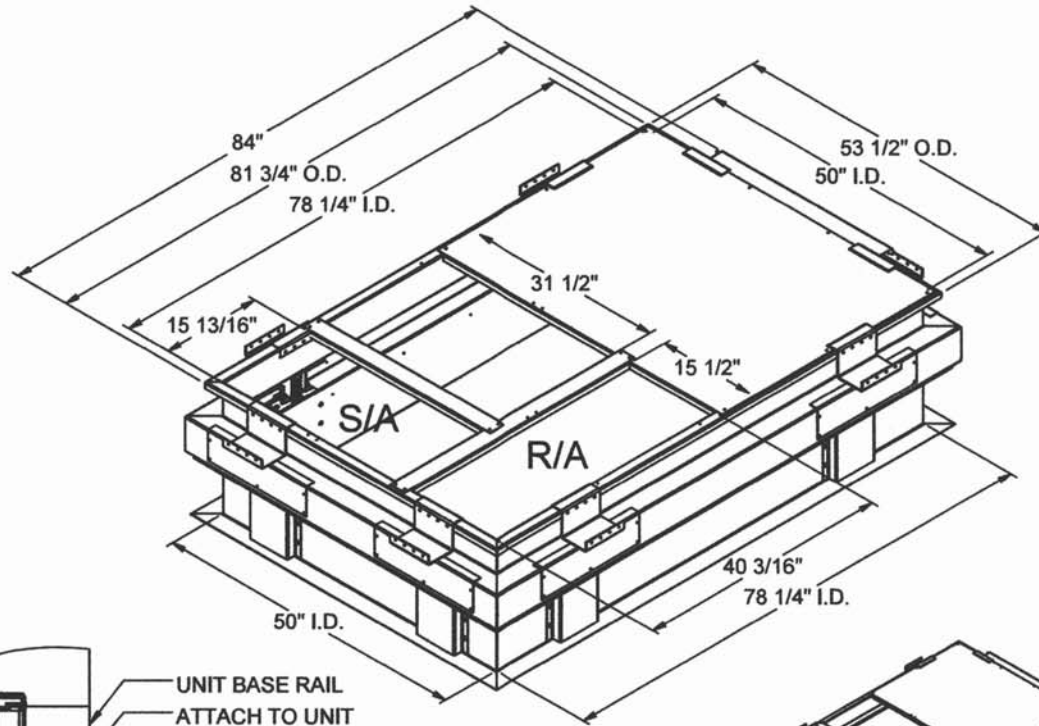
Welded isolation springs housing are standard. For bolted spring housing, neoprene pads and spring cups see Weldment and Bolting Detail, Form No. CB-61

- FEATURES**
- Roof curbs sides and ends are 12 ga.
 - Fully welded construction.
 - Gasketing package provided.
 - Heat treated wood nailer provided.
 - Insulated deck pans provided.
 - Pitched curbs and taller curbs are available.

- NOTES**
- Attach ductwork to roof curb. Flanges of duct rest on top of the curb, Support ductwork below the curb.
 - Thru the curb utilities are available. Contact your York distributor or Provent directly.

STRUCTURALLY CALCULATED VIBRATION ISOLATION ROOF CURB FOR YORK UNITS

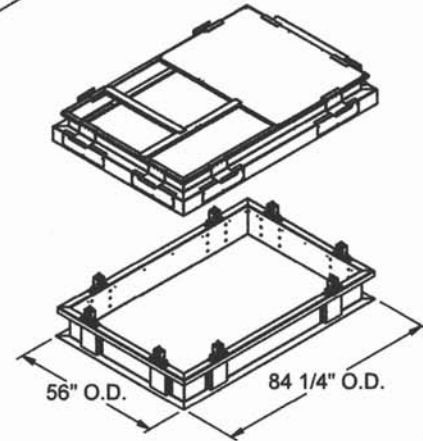
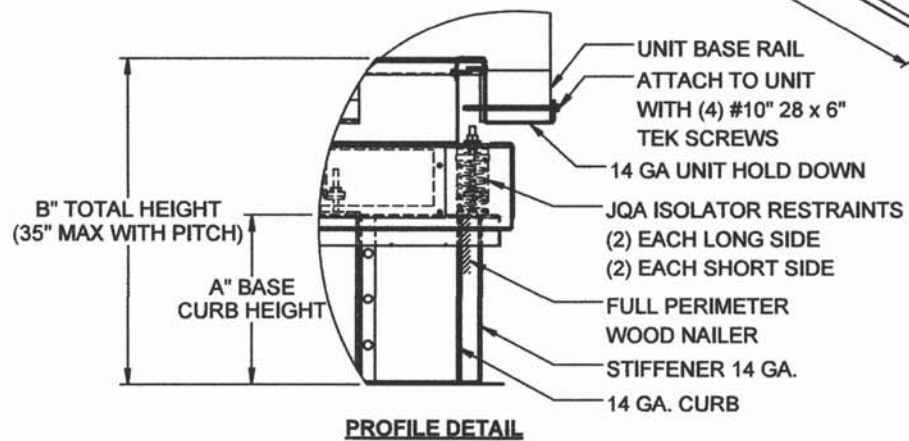
ZX08-14; XX08-12; ZY07-12; XY07-09



PROVENT P/N	A	B	EST. WEIGHT
CBISCPRL18**	8"	18"	380 Lbs.
CBISCPRL21**	11"	21"	405 Lbs.
CBISCPRL24**	14"	24"	425 Lbs.

**Note: Spring configuration must be added to part number at time of order

Meets seismic requirements for the following codes:
CBC 2016
IBC 2015



3847 WABASH DRIVE
MIRA LOMA, CA 91752
PHONE (951) 685-1101
FAX (619) 872-9799

SUBMITTED TO:
COMPANY:
JOB NAME:
EQUIPMENT:
NOTES:

FORM NO:
CBISC-06
DATE:
9/27/2018

PART NUMBER:
-
REV:
1
DRAWN BY:
ALL