

For wood, concrete and steel attachment see Roof Anchorage Detail, Form No. CB-60.

Welded isolation springs housing are standard. For bolted spring housing, neoprene pads and spring cups see Weldment and Bolting Detail, Form No. CB-61

FEATURES

- Roof curbs sides and ends are 12 ga.
- Fully welded construction.
- Gasketing package provided.
- Heat treated wood nailer provided.
- Insulated deck pans provided.
- Pitched curbs and taller curbs are available.

NOTES

- Attach ductwork to roof curb. Flanges of duct rest on top of the curb, support ductwork below the curb.
- Thru the curb utilities are available. Contact your York distributor or Provent directly.

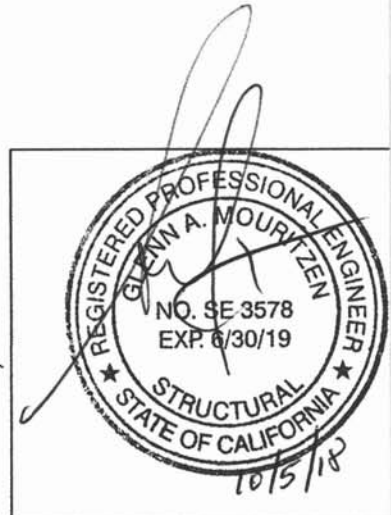
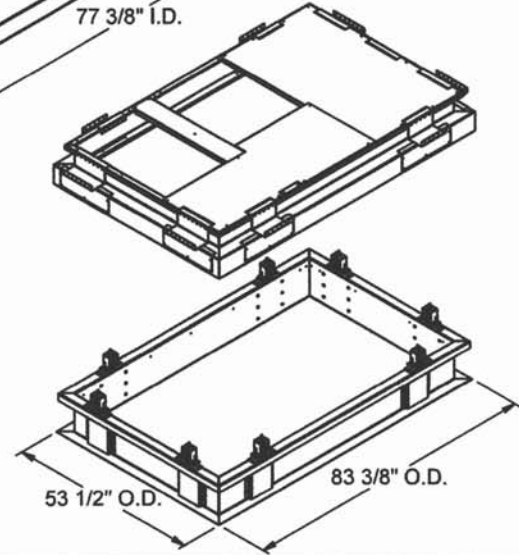
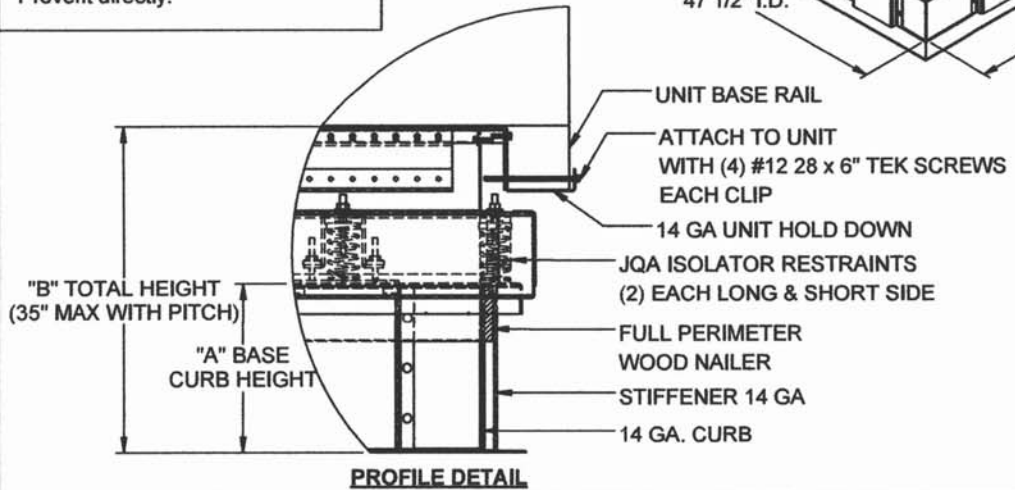
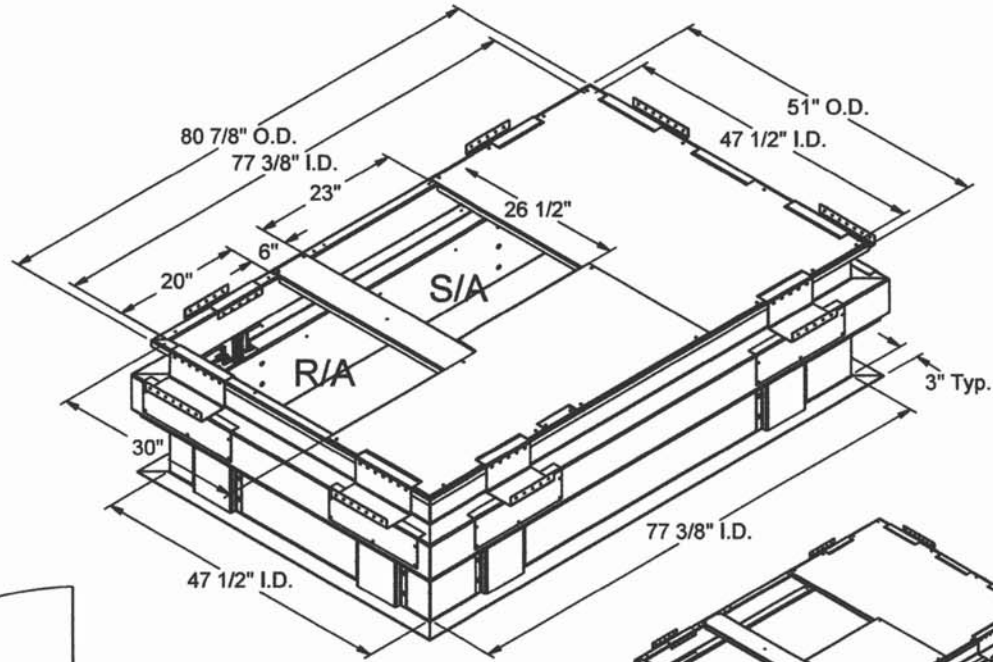
**VIBRATION ISOLATION ROOF CURBS
YORK UNITS**

ZT, ZH, ZJ, ZR 037, 049, 061
ZF, ZH, ZJ, ZR, XP 078-150

PROVENT P/N	A	B	EST. WEIGHT
CBISCPRD371518**	8"	18"	325 Lbs
CBISCPRD371521**	11"	21"	347 Lbs
CBISCPRD371524**	14"	24"	370 Lbs

**Note: Spring configuration must be added to part number at time of order

Meets seismic requirements for the following codes:
CBC 2016
IBC 2015



3847 WABASH DRIVE
MIRA LOMA, CA 91752
PHONE (951) 685-1101
FAX (619) 872-9799

SUBMITTED TO:
COMPANY:
JOB NAME:
EQUIPMENT:
NOTES:

FORM NO:
CBISC-04
DATE:
9/27/2018

PART NUMBER:
-
REV:
2
DRAWN BY:
ALL