

For wood, concrete and steel attachment see Roof Anchorage Detail, Form No. CB-60.

Welded isolation springs housing are standard. For bolted spring housing, neoprene pads and spring cups see Weldment and Bolting Detail, Form No. CB-61

FEATURES

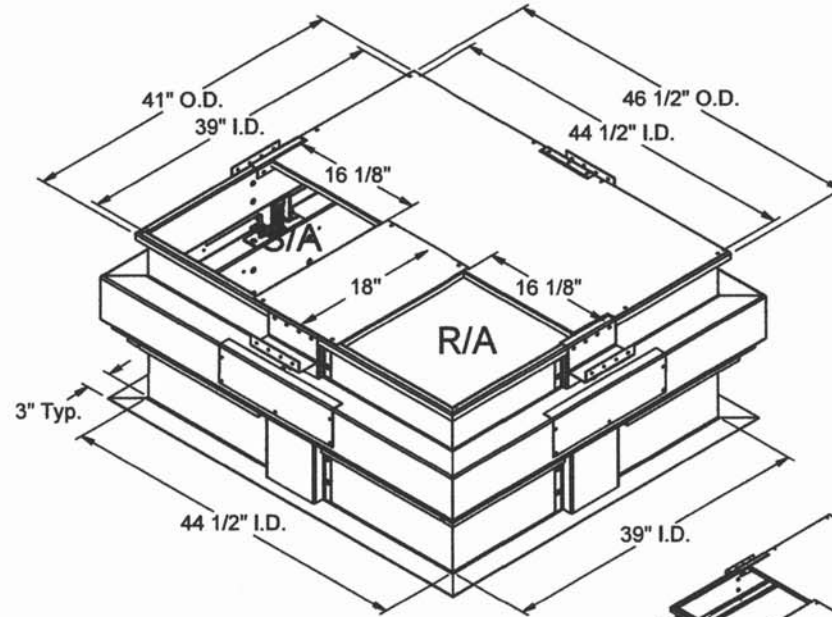
- Roof curbs sides and ends are 14 ga.
- Fully welded construction.
- Gasketing package provided.
- Heat treated wood nailer provided.
- Insulated deck pans provided.
- Pitched curbs and taller curbs are available.

NOTES

- Attach ductwork to roof curb. Flanges of duct rest on top of the curb. Support ductwork below the curb.
- Thru the curb utilities are available. Contact you York distributor or Provent directly.

STRUCTURALLY CALCULATED VIBRATION ISOLATION ROOF CURB FOR YORK UNITS

P***B CABINET



PROVENT P/N	A	B	EST. WEIGHT
CBISCLXL18**	8"	18"	205 Lbs.
CBISCLXL21**	11"	21"	224 Lbs.
CBISCLXL24**	14"	24"	239 Lbs.

**Note: Spring configuration must be added to part number at time of order

Meets seismic requirements for the following codes:
CBC 2016
IBC 2015

(4) #10 TEK SCREWS

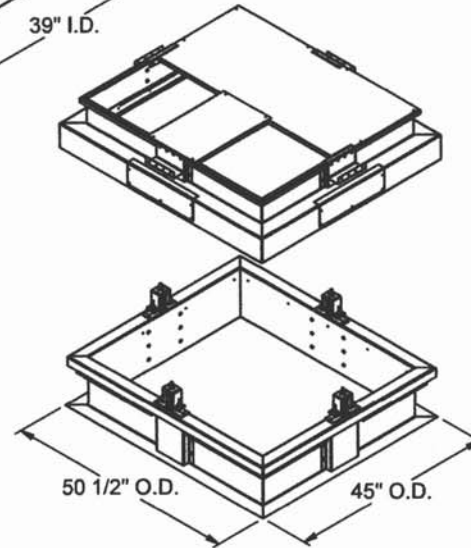
14 GA UPPER RAIL

B" TOTAL HEIGHT
(35" MAX WITH PITCH)

A" BASE CURB HEIGHT

PROFILE DETAIL

- UNIT BASE RAIL
- ATTACH TO UNIT WITH (4) #10 x 6" TEK SCREWS EACH HOLD DOWN
- 14 GA UNIT HOLD DOWN (1) PER EACH SIDE
- JQA ISOLATOR RESTRAINTS (1) PER EACH SHORT SIDE (1) PER EACH LONG SIDE
- FULL PERIMETER WOOD NAILER
- STIFFENER 14 GA x 7" x 1 1/2" AT EACH ISOLATOR
- 14 GA. CURB



3847 WABASH DRIVE
MIRA LOMA, CA 91752
PHONE (951) 685-1101
FAX (619) 872-9799

SUBMITTED TO: _____
COMPANY: _____
JOB NAME: _____
EQUIPMENT: _____
NOTES: _____

FORM NO: CBISC-02
DATE: 10/3/2018

PART NUMBER: -
REV: 1
DRAWN BY: ALL