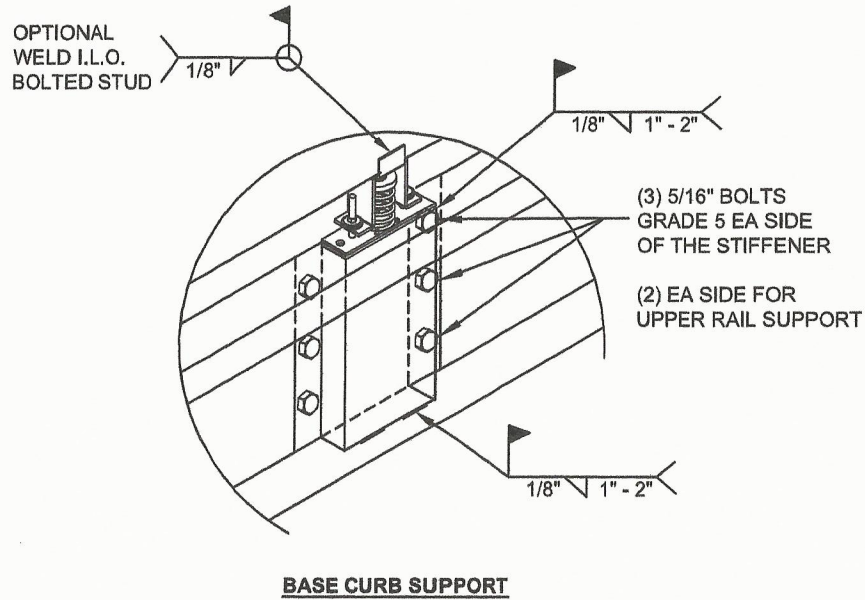


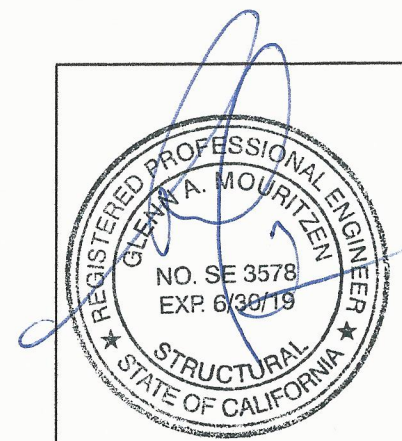
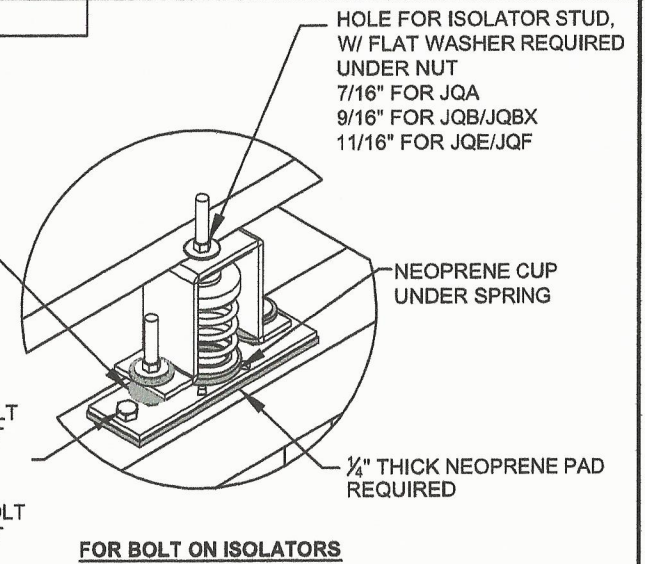
WELDMENT AND BOLTING DETAIL



OPTIONAL BOTTOM BUMPER FOR:
ISCALSLU180
ISCALSLM1830

FOR JQA:
9/16" \varnothing HOLE USE 1/2" \varnothing A307 BOLT WITH FLAT WASHER AND NUT

FOR JQB, JQBX, JQE, JQF:
1 1/16" \varnothing HOLE USE 5/8" \varnothing A307 BOLT WITH FLAT WASHER AND NUT



3847 WABASH DRIVE
MIRA LOMA, CA 91725

PHONE (951) 685-1101
FAX (619) 872-9799

SUBMITTED TO: _____
COMPANY: _____
JOB NAME: _____
EQUIPMENT: _____
NOTES: _____

FORM NO:
CB-61

DATE:
02/08/18

REV:
1

DRAWN BY:
ALL