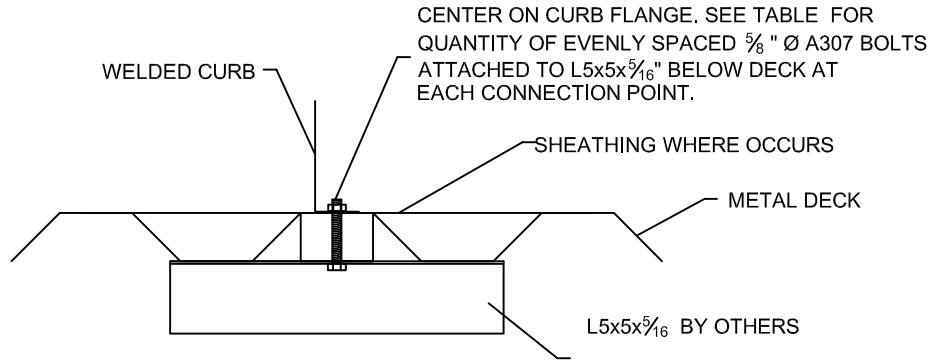


STEEL ATTACHMENT



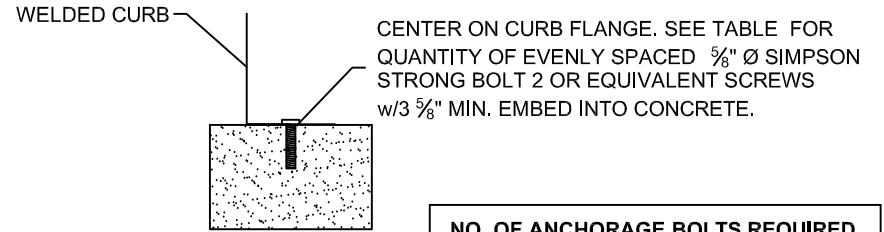
CURB	NO. OF ANCHORAGE BOLTS REQUIRED	
	LONG SIDE	SHORT SIDE
AFF1860	3	**1
SUN3672	4	**1
PRD3715	*2	**1
PRS	*2	**1
PRL	*2	**1
SLU180	*2	*2
SLM1830	*3	*2

* SIX INCHES FROM EACH CORNER EVENLY SPACED.
** CENTERED.

Meets seismic requirements for the following codes:
CBC 2013
IBC 2012

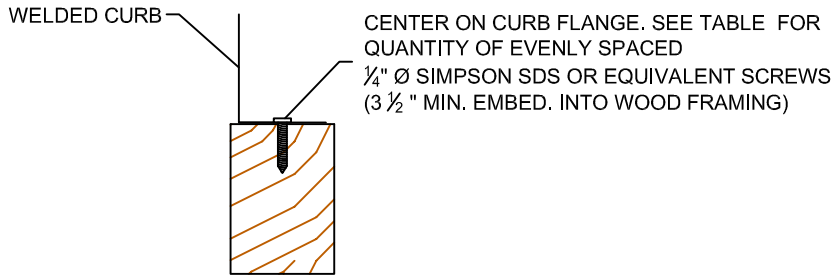
ASSUMES:
CONC SLAB
f_c= 4000PSI MINIMUM
5 1/2" MIN THICKNESS
NORMAL WEIGHT CONCRETE
OR SAND LIGHT WEIGHT

CONCRETE ATTACHMENT



CURB	NO. OF ANCHORAGE BOLTS REQUIRED	
	LONG SIDE	SHORT SIDE
AFF1860	4	2
SUN3672	5	2
PRD3715	7	3
PRS	3	2
PRL	4	3
SLU180	5	3
SLM1830	8	4

WOOD ATTACHMENT



CURB	NO. OF ANCHORAGE SCREWS REQUIRED	
	LONG SIDE	SHORT SIDE
AFF1860	6	3
SUN3672	7	4
PRD3715	11	5
PRS	3	2
PRL	3	2
SLU180	9	4
SLM1830	13	5

FOUR INCHES FROM EACH CORNER EVENLY SPACED

ROOF ANCHORAGE DETAIL

CBKD Series	CBWC Series	ISCAL Series
AFF1860	AFF1860	AFF1860
SUN3672	SUN3672	SUN3672
PRD3715	PRD3715	PRD3715
PRS	PRS	PRS
PRL	PRL	PRL
	SLU180	SLU180
	SLM1830	SLM1830



3847 WABASH DR.
MIRA LOMA, CA 91725

PHONE (951) 685-1101
FAX (619) 872-9799

SUBMITTED TO: _____
COMPANY: _____
JOB NAME: _____
EQUIPMENT: _____
NOTES: _____

FORM NO:
CB-24A

DATE:
12/4/14

REV:
8

DRAWN BY:
JG