

For wood, concrete and steel attachments see Roof Anchorage Detail, Form No. CB-60.

STRUCTURALLY CALCULATED WELDED ROOF CURBS FOR YORK UNITS

ProVent P/N	A	WEIGHT
CBWC SLU18008	8"	152 Lbs
CBWC SLU18011	11"	177 Lbs
CBWC SLU18014	14"	202 Lbs
CBWC SLU18024	24"	354 Lbs

ZF 180

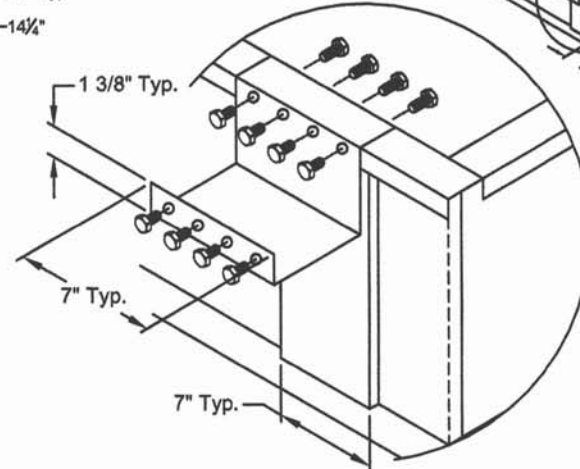
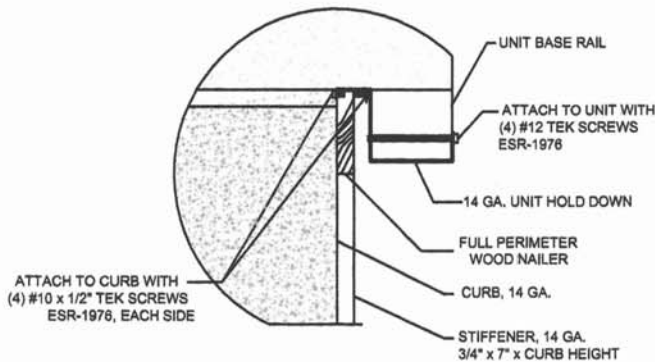
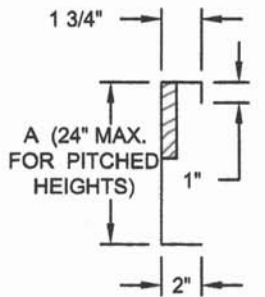
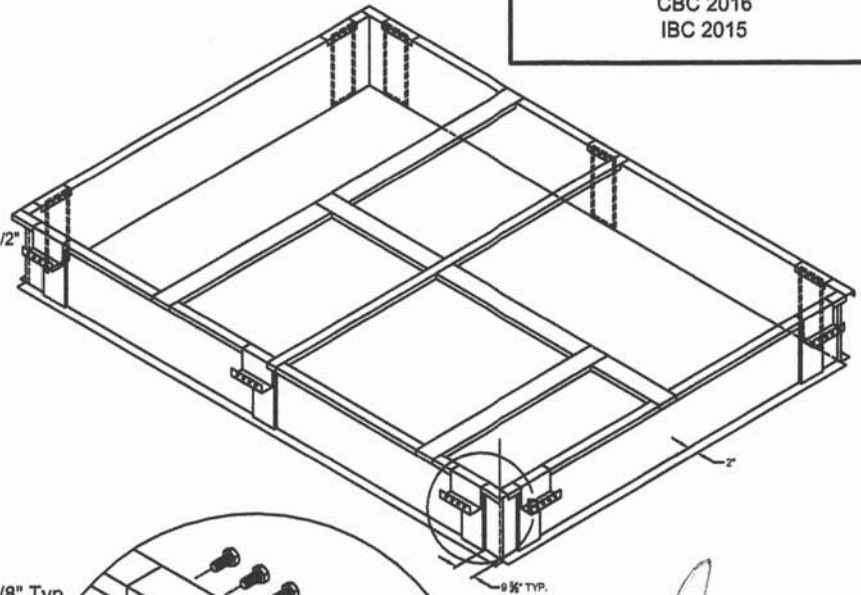
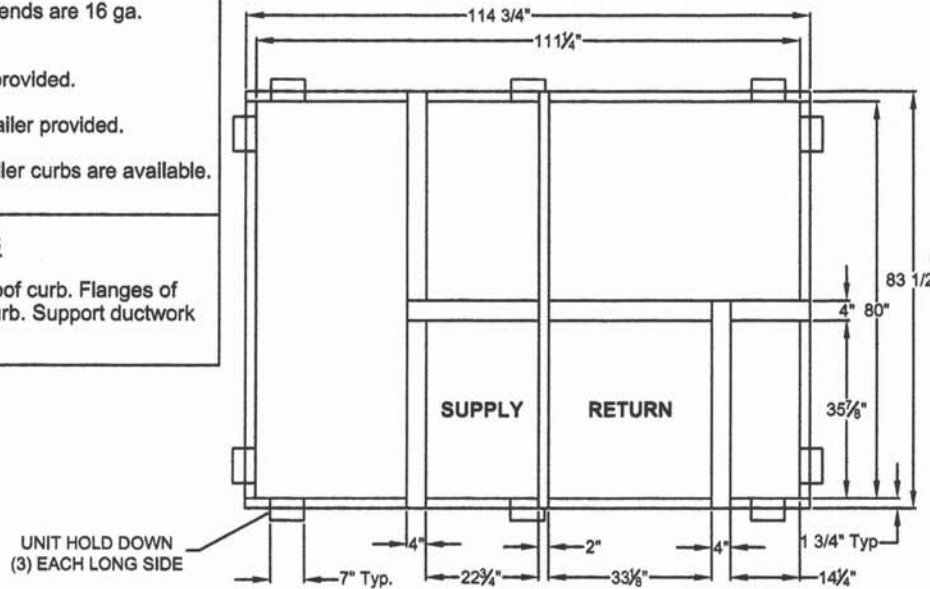
Meets seismic requirements for the following codes:
CBC 2016
IBC 2015

FEATURES

- Roof curb sides and ends are 16 ga. galvanized steel.
- Gasketing package provided.
- Heat treated wood nailer provided.
- Pitched curbs and taller curbs are available.

NOTES

- Attach ductwork to roof curb. Flanges of duct rest on top of curb. Support ductwork below the curb.



3847 WABASH DRIVE
MIRA LOMA, CA 91725

PHONE (951) 685-1101
FAX (619) 872-9799

SUBMITTED TO: _____
COMPANY: _____
JOB NAME: _____
EQUIPMENT: _____
NOTES: _____

FORM NO:
CBWC-114

DATE:
09/27/18

PART NUMBER:
CBWC SLU180 SERIES

REV:
5

DRAWN BY:
ALL