

For wood, concrete and steel attachments see Roof Anchorage Detail, Form No. CB-60.

STRUCTURALLY CALCULATED WELDED ROOF CURBS FOR YORK UNITS

ZJ/ZR 180-300: ZF 210-300: XP 180-240

FEATURES

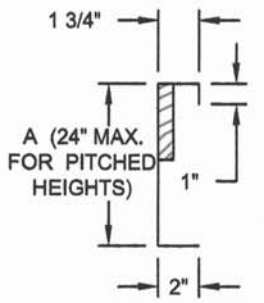
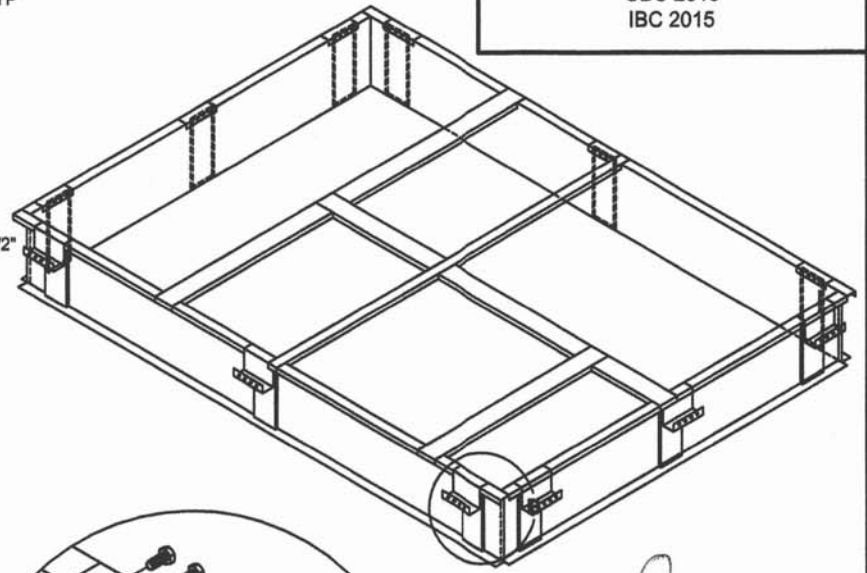
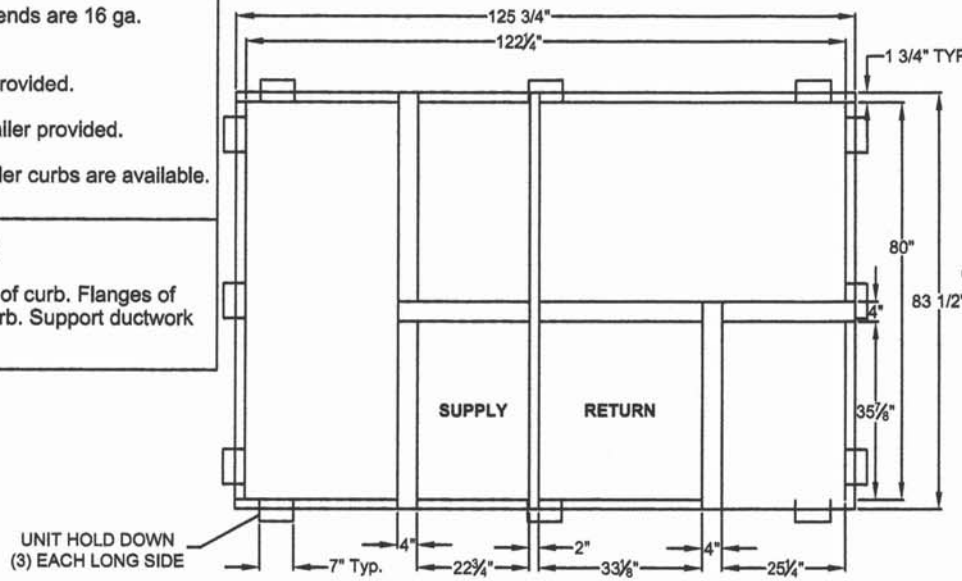
- Roof curb sides and ends are 16 ga. galvanized steel.
- Gasketing package provided.
- Heat treated wood nailer provided.
- Pitched curbs and taller curbs are available.

NOTES

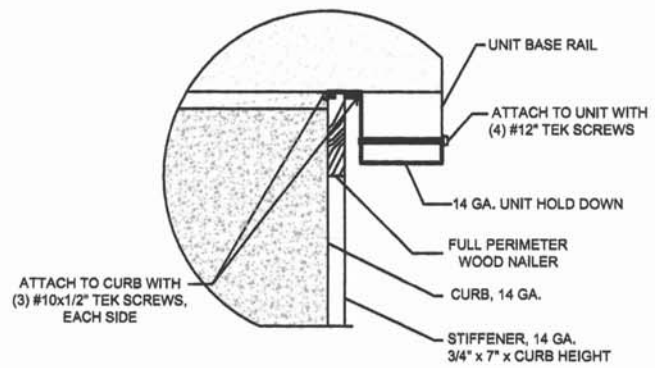
- Attach ductwork to roof curb. Flanges of duct rest on top of curb. Support ductwork below the curb.

ProVent P/N	A	WEIGHT
CBWCSLM183008	8"	159 Lbs
CBWCSLM183011	11"	185 Lbs
CBWCSLM183014	14"	211 Lbs
CBWCSLM183024	24"	370 Lbs

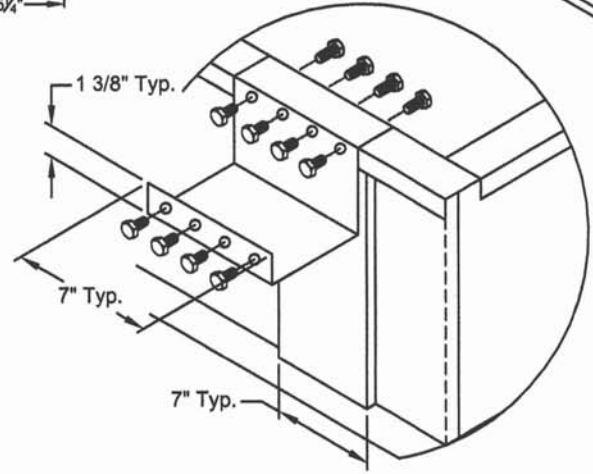
Meets seismic requirements for the following codes:
CBC 2016
IBC 2015



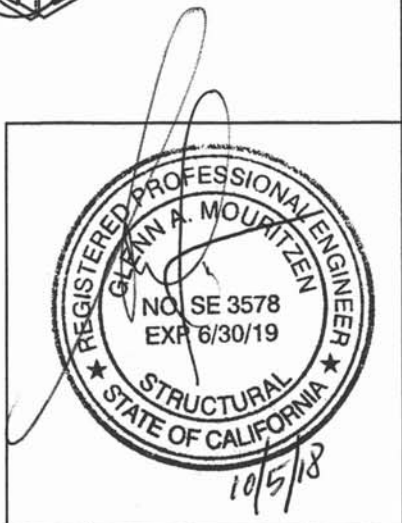
CURB DETAIL



HOLD DOWN DETAIL



DETAIL B



3847 WABASH DRIVE
MIRA LOMA, CA 91725

PHONE (951) 685-1101
FAX (619) 872-9799

SUBMITTED TO: _____
COMPANY: _____
JOB NAME: _____
EQUIPMENT: _____
NOTES: _____

FORM NO: CBWC-115

DATE: 09/27/18
REV: 5

PART NUMBER: CBWCSLM1830 SERIES

DRAWN BY: ALL