

For wood, concrete and steel attachments see Roof Anchorage Detail, Form No. CB-60.

**FEATURES**

- Roof curb sides and ends are 16 ga. galvanized steel.
- Gasketing package provided.
- Heat treated wood nailer provided.
- Insulated deck pans provided.
- Pitched curbs and taller curbs are available.

**NOTES**

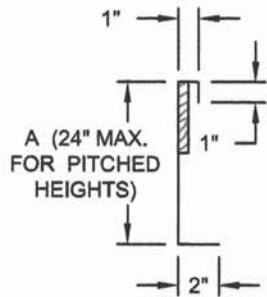
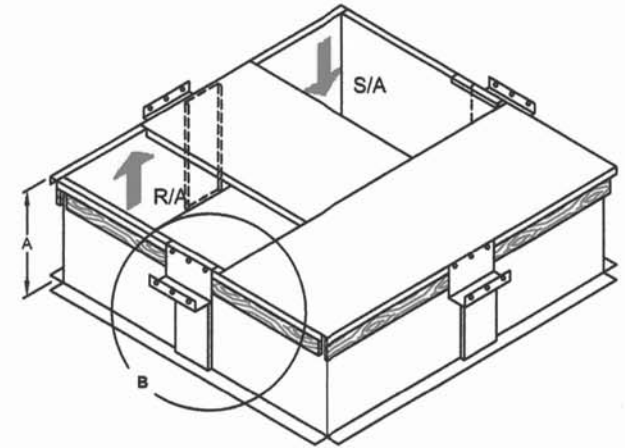
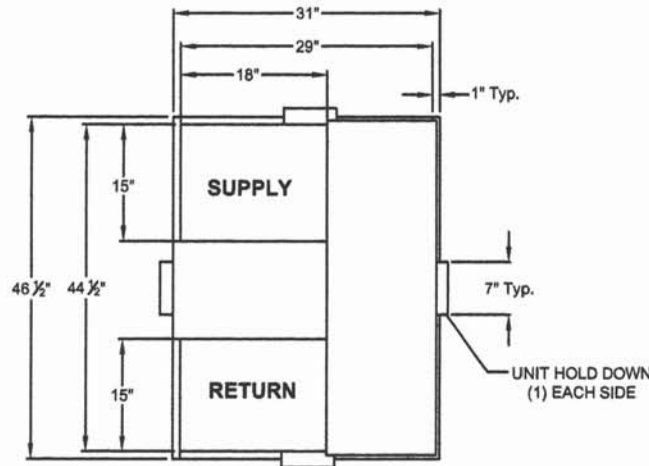
- Attach ductwork to roof curb. Flanges of duct rest on top of curb. Support ductwork below the curb.
- Thru the curbs utilities are available. Contact your York distributor or Provent directly.

**STRUCTURALLY CALCULATED WELDED ROOF CURBS FOR YORK UNITS**

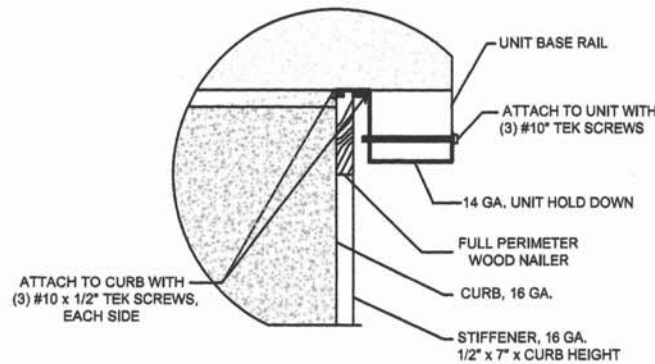
**P\*\*\*A ALL MODELS**

| ProVent P/N | A   | WEIGHT  |
|-------------|-----|---------|
| CBWCLXS08   | 8"  | 64 Lbs  |
| CBWCLXS11   | 11" | 75 Lbs  |
| CBWCLXS14   | 14" | 87 Lbs  |
| CBWCLXS24   | 24" | 161 Lbs |

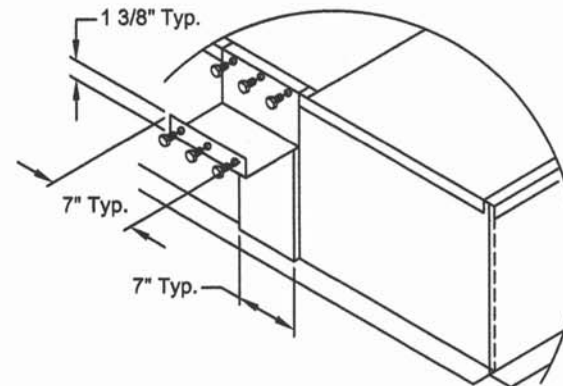
Meets seismic requirements for the following codes:  
CBC 2016  
IBC 2015



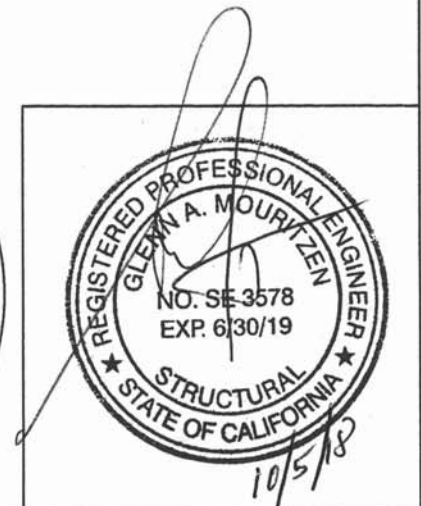
**CURB DETAIL**



**HOLD DOWN DETAIL**



**DETAIL B**



3847 WABASH DRIVE  
MIRA LOMA, CA 91725

PHONE (951) 685-1101  
FAX (619) 872-9799

SUBMITTED TO: \_\_\_\_\_  
COMPANY: \_\_\_\_\_  
JOB NAME: \_\_\_\_\_  
EQUIPMENT: \_\_\_\_\_  
NOTES: \_\_\_\_\_

FORM NO:  
CBWC-118

DATE:  
07/31/18

REV:  
5

PART NUMBER:  
CBWCLXS SERIES

DRAWN BY:  
ALL