

For wood, concrete and steel attachments see Roof Anchorage Detail, Form Nos. CB-60.

STRUCTURALLY CALCULATED WELDED ROOF CURBS FOR YORK UNITS

ZX, 08-14; XX 08-12; XYA7, ZYA7
ZY 07-12; XY 07-09; ZL 08-14

| PROVENT P/N | A | EST. WEIGHT |
|-------------|-----|-------------|
| CBWCPRL08 | 8" | 168 Lbs. |
| CBWCPRL11 | 11" | 182 Lbs. |
| CBWCPRL14 | 14" | 197 Lbs. |
| CBWCPRL24 | 24" | 245 Lbs. |

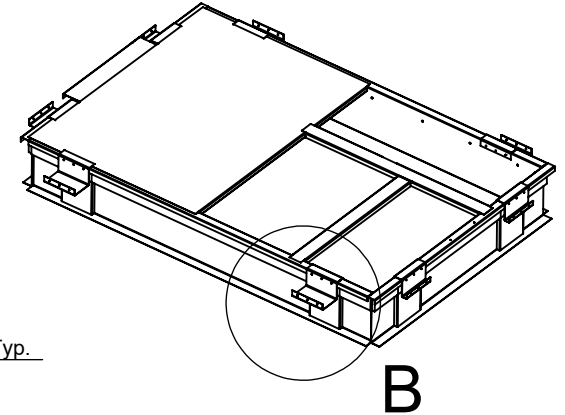
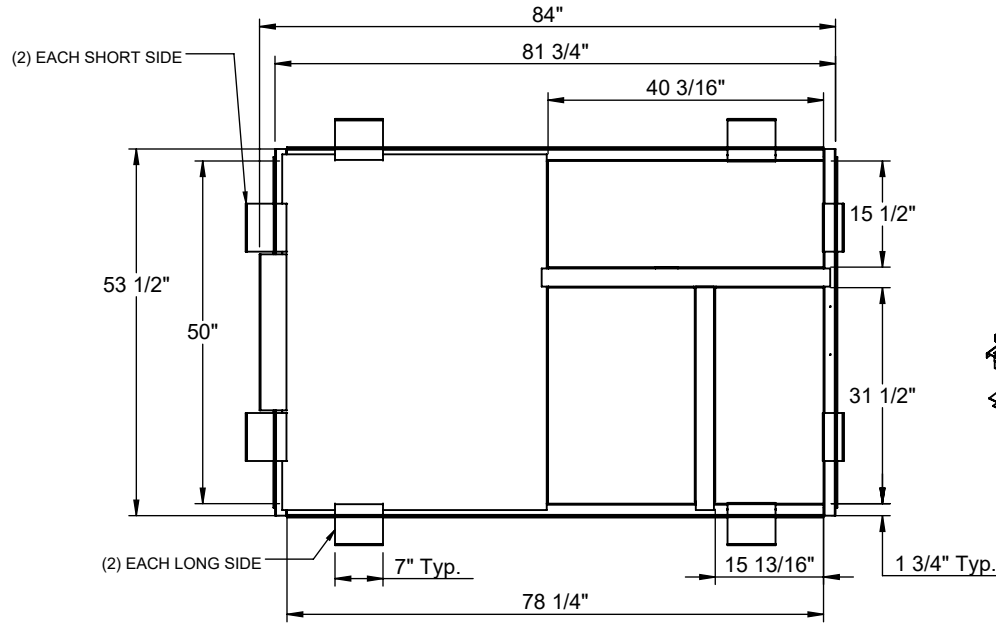
Meets seismic requirements for the following codes:
CBC 2019
IBC 2018

FEATURES

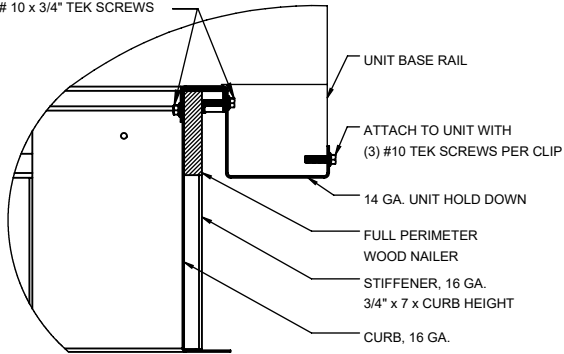
- Roof curb sides and ends are 16 Ga. galvanized steel.
- Gasketing package provided.
- Heat treated wood nailer provided.
- Insulated deck pans provided.
- Pitched curbs and taller curbs are available.

Notes

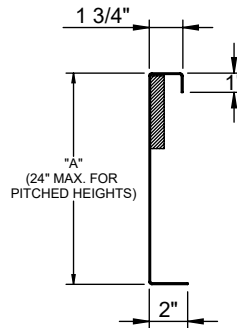
- Attached ductwork to roof curb. Flanges of duct rest on top of curb. Support ductwork below the curb.
- Through the curbs utilities are available. Contact your York distributor or ProVent directly.



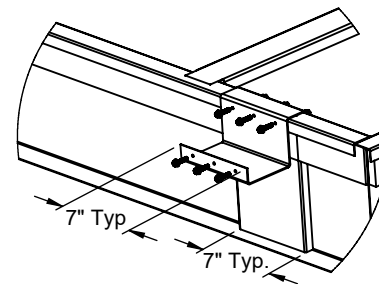
ATTACH TO CURB WITH
(3) # 10 x 3/4" TEK SCREWS



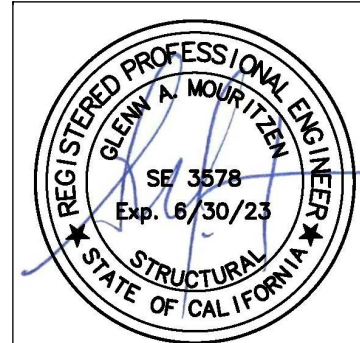
HOLD DOWN DETAIL



CURB DETAIL



DETAIL B



3847 WABASH DRIVE
MIRA LOMA, CA 91725

PHONE (951) 685-1101
FAX (619) 872-9799

SUBMITTED TO: _____
COMPANY: _____
JOB NAME: _____
EQUIPMENT: _____
NOTES: _____

FORM NO:
CBWC-301

DATE:
10/7/2021

PART NUMBER:
CBWCPRL SERIES

REV:
9

DRAWN BY:
ALL